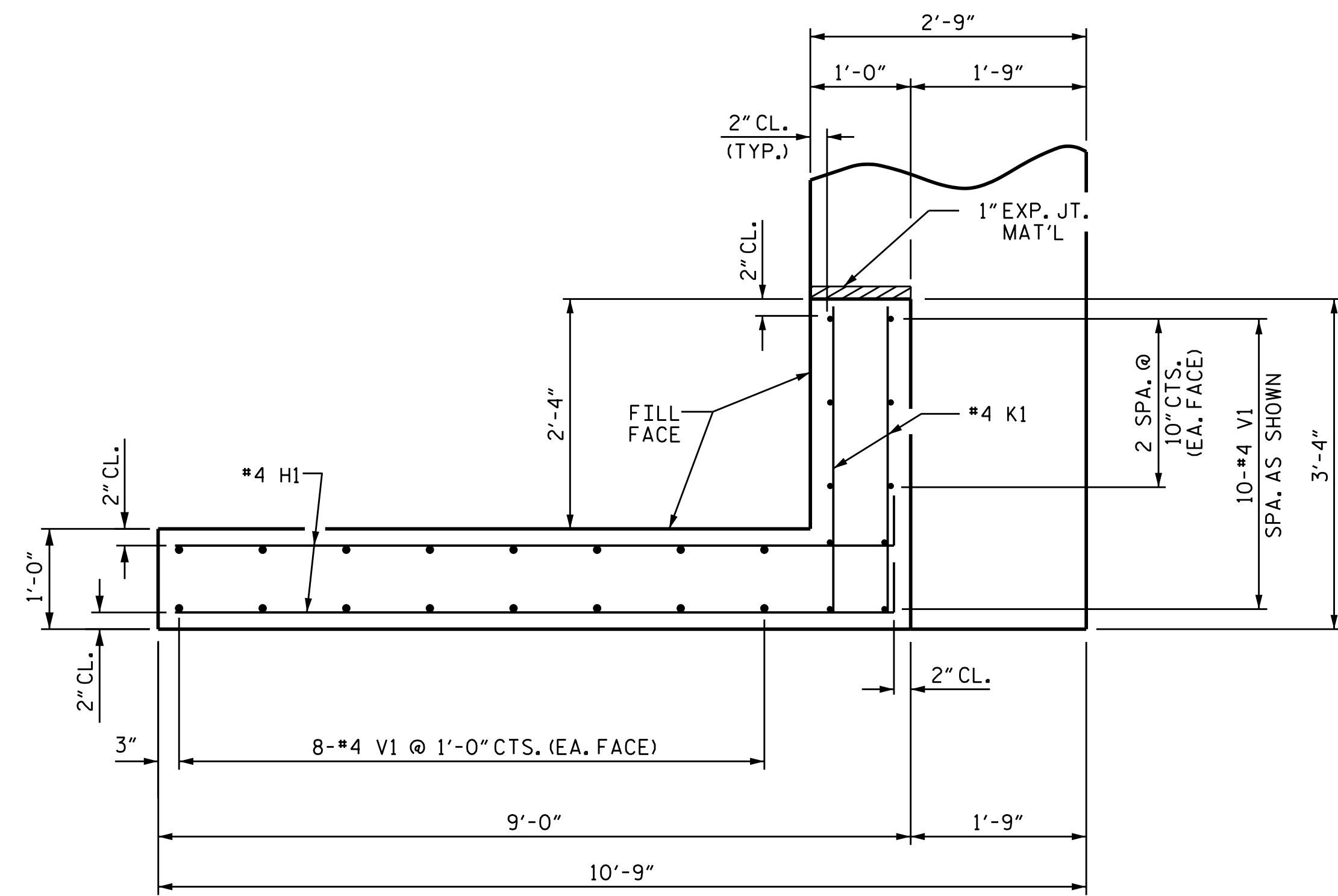
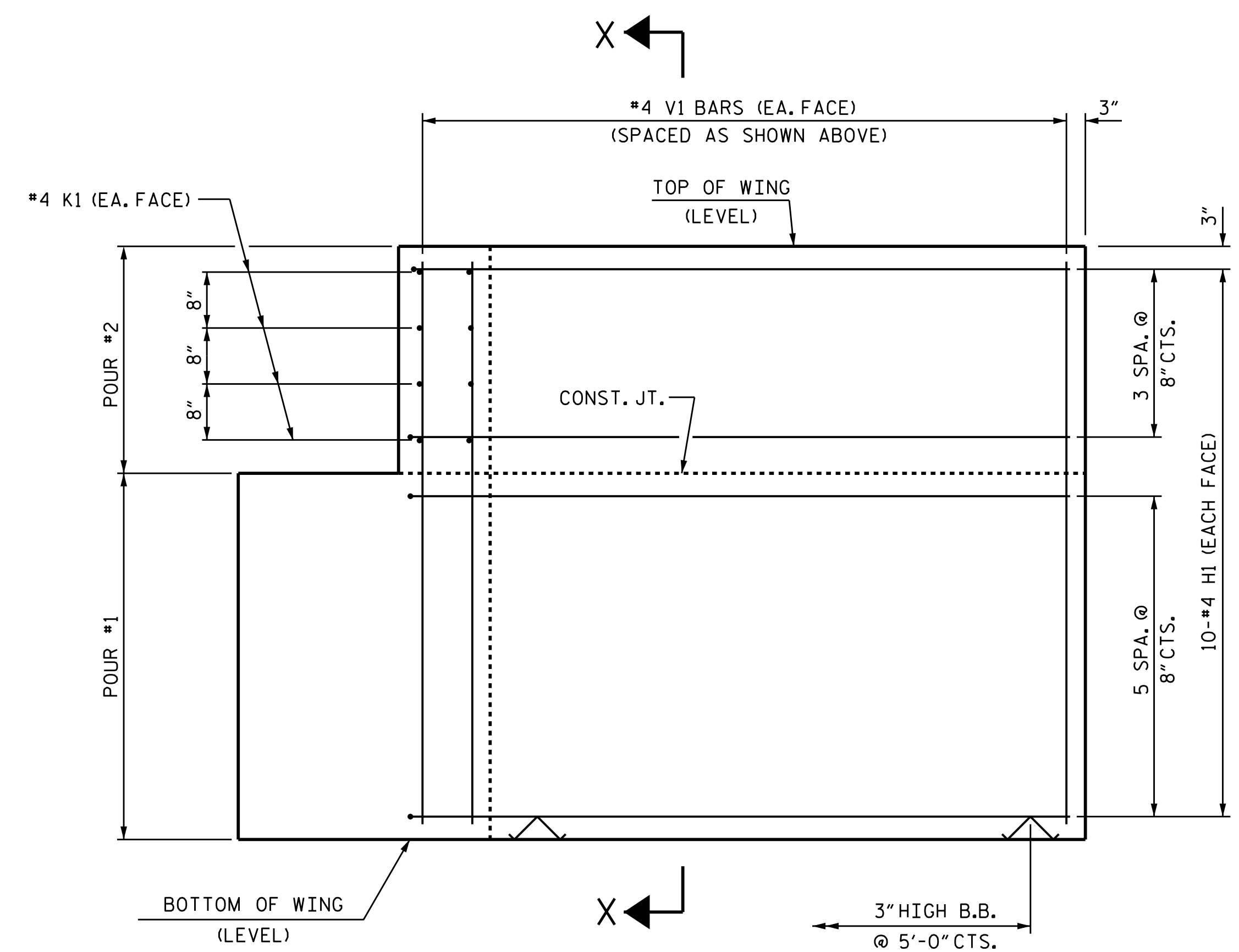


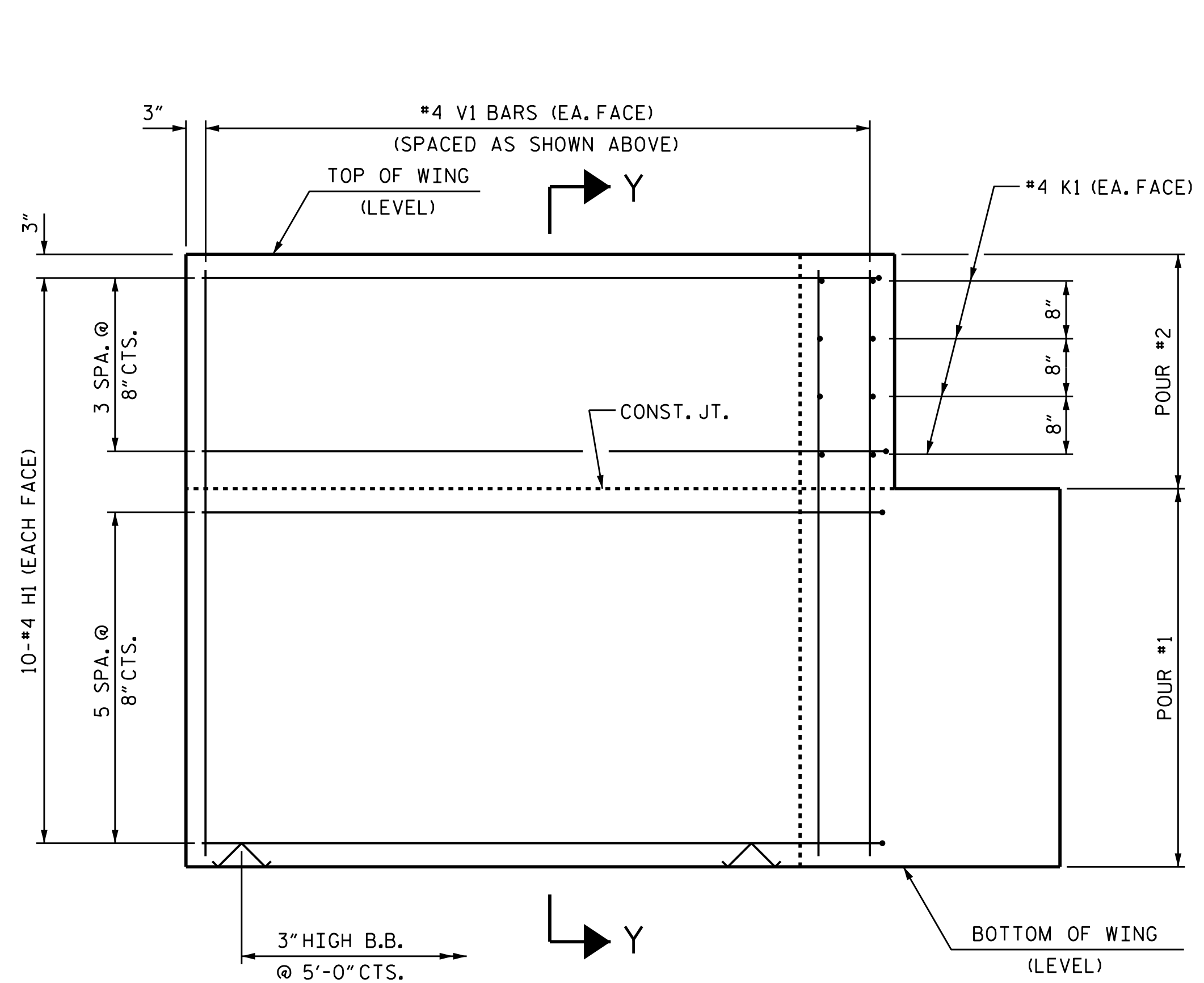
PLAN OF WING (W1)



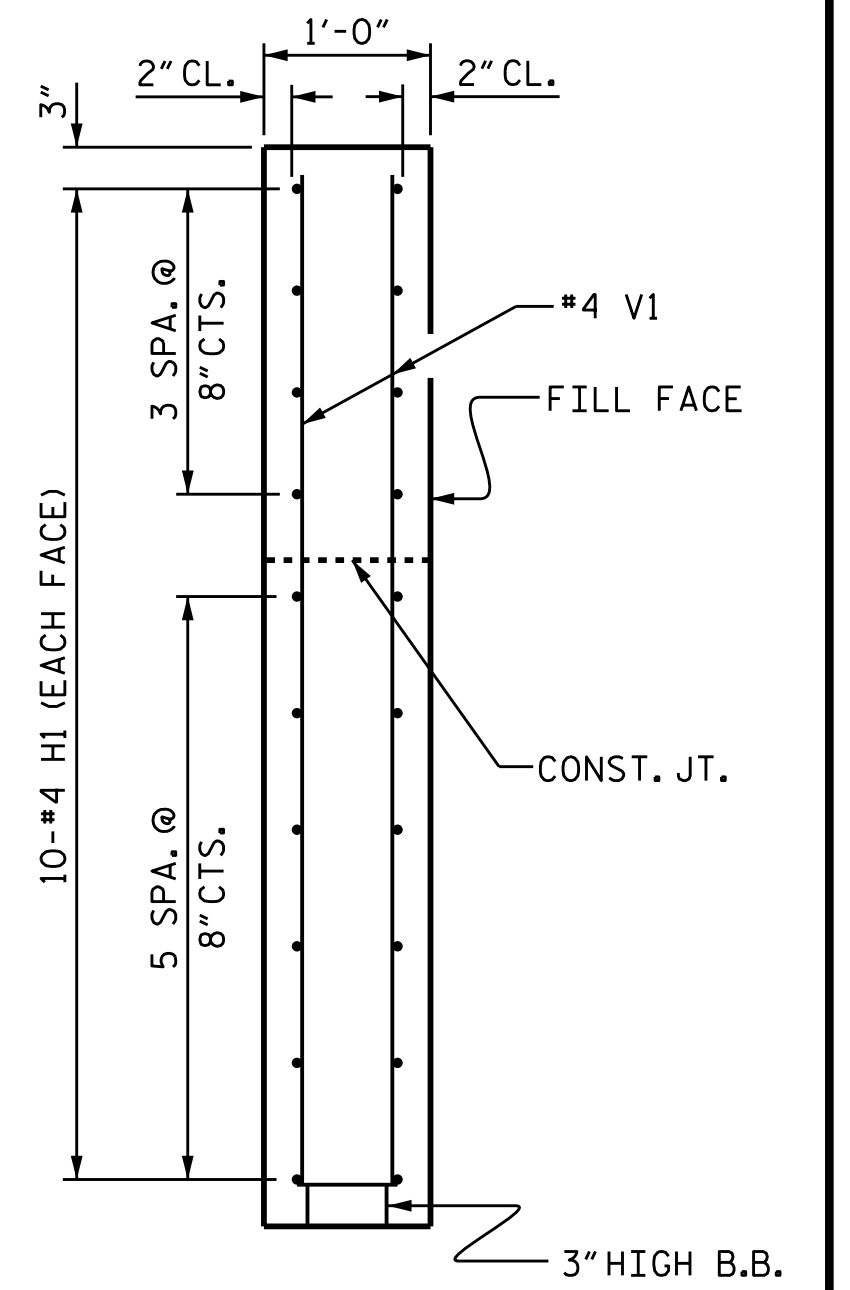
PLAN OF WING (W2)



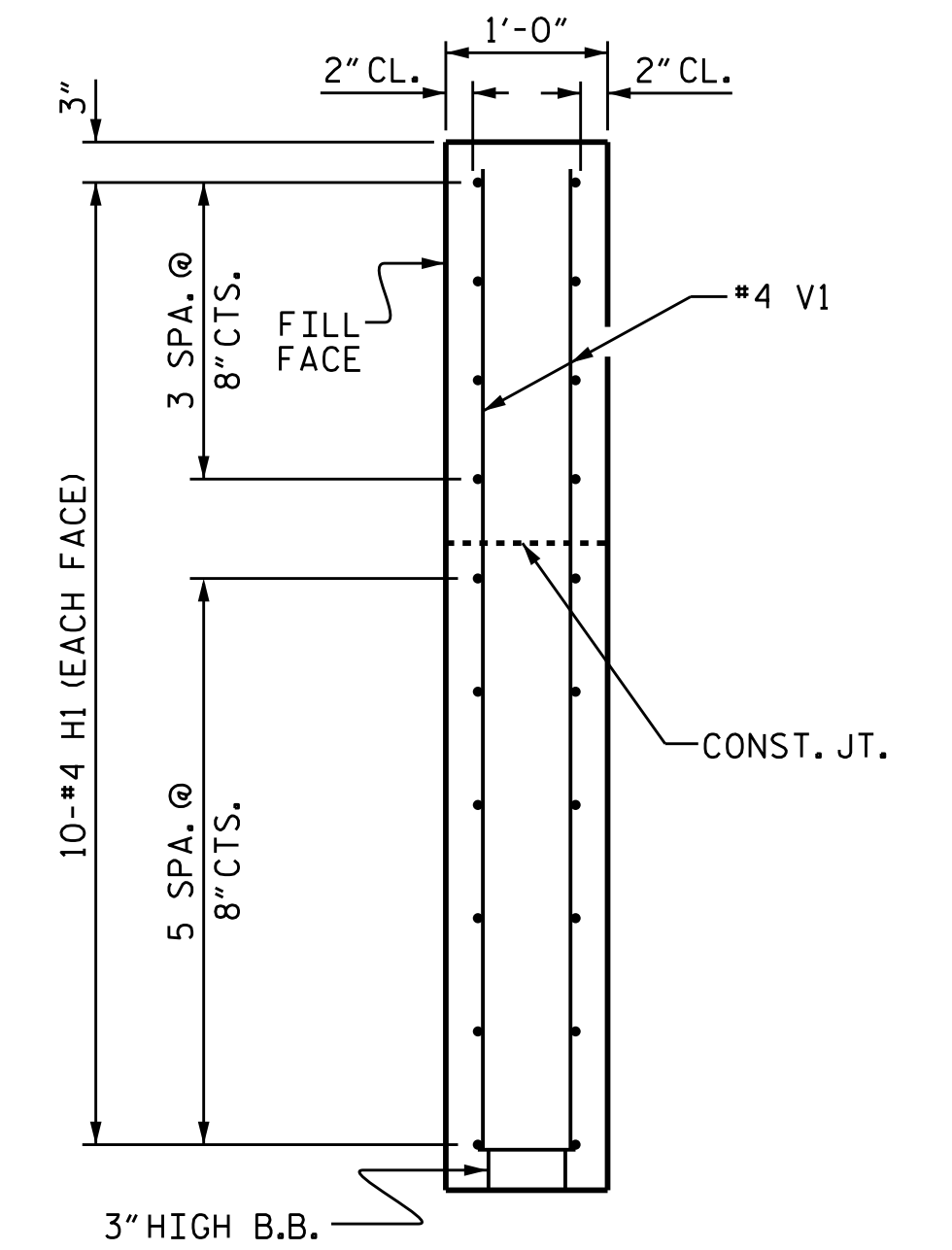
ELEVATION OF WING (W1)



ELEVATION OF WING (W2)



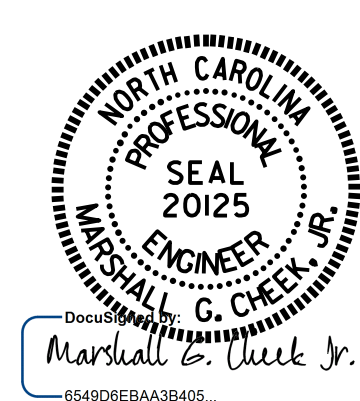
SECTION X-X



SECTION Y-Y

PROJECT NO. B-5159
 JACKSON COUNTY
 STATION: 10+91.50 -L-

SHEET 3 OF 4



STATE OF NORTH CAROLINA
 DEPARTMENT OF TRANSPORTATION
 RALEIGH
 SUBSTRUCTURE
 END BENT
 WING DETAILS

ASSEMBLED BY : G.KOUCHEKI	DATE : 11/07/16
CHECKED BY : E.K. POPE	DATE : 11/28/16
DRAWN BY : WJH 12/11	
CHECKED BY : AAC 12/11	
REV. 4/15	MAA/TMG

DOCUMENT NOT CONSIDERED FINAL UNLESS ALL SIGNATURES COMPLETED

REVISIONS						SHEET NO.	
NO.	BY:	DATE:	NO.	BY:	DATE:	S-12	
1			3			TOTAL SHEETS 17	
2			4				