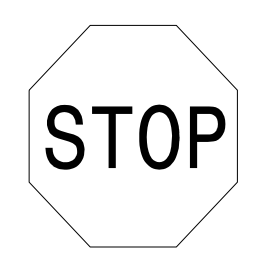
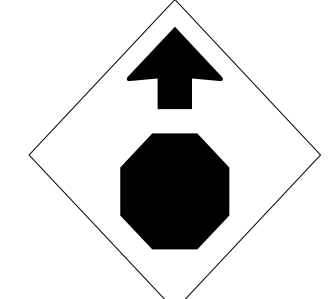
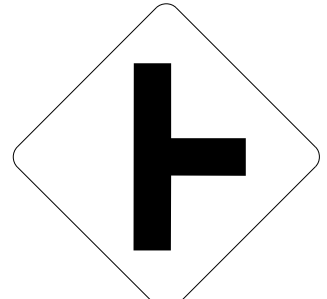
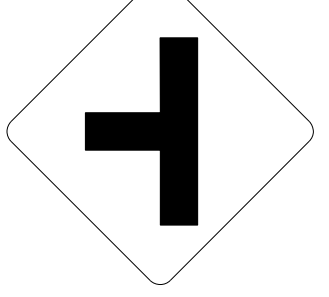


<p>401 QUANTITY REQ'D <u> 1 </u></p>  <p>36" X 36" R1-1</p> <p>ONE "U" POST PER SIGN</p>	<p>402 QUANTITY REQ'D <u> 1 </u></p>  <p>30" X 30" W3-1a</p> <p>ONE "U" POST PER SIGN</p>	<p>403 QUANTITY REQ'D <u> 1 </u></p>  <p>30" X 30" W2-2R</p> <p>ONE "U" POST PER SIGN</p>
<p>404 QUANTITY REQ'D <u> 1 </u></p>  <p>30" X 30" W2-2L</p> <p>ONE "U" POST PER SIGN</p>		

PROJECT NOTES	
1	DISPOSAL OF SIGN SYSTEM, U-CHANNEL

DETAIL SHEET

3/13/2017
 P:\1\Office\Signing\CADD\Signing Layout Plans\B-5159_Sgn_SGN_BaseMap.dgn
 User: rwalkerjohnson