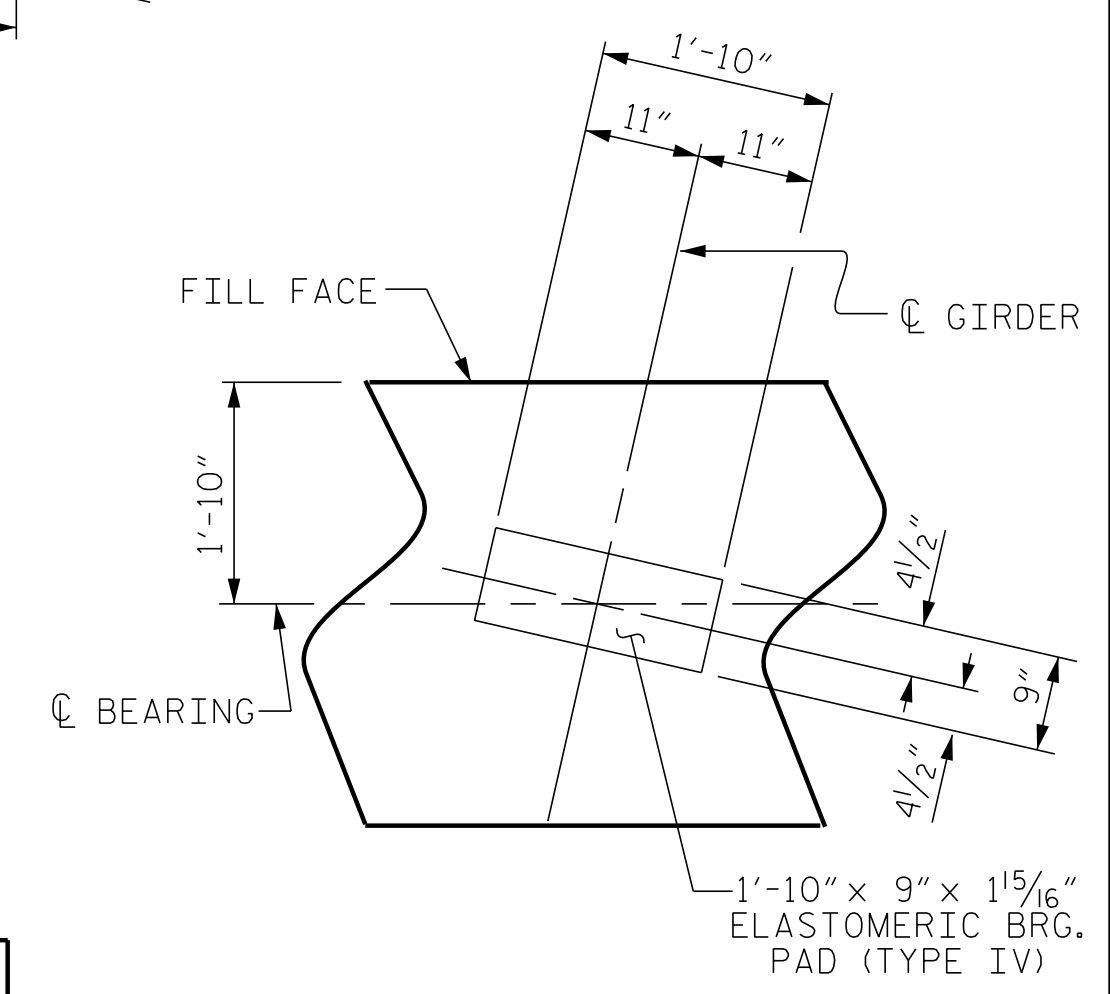
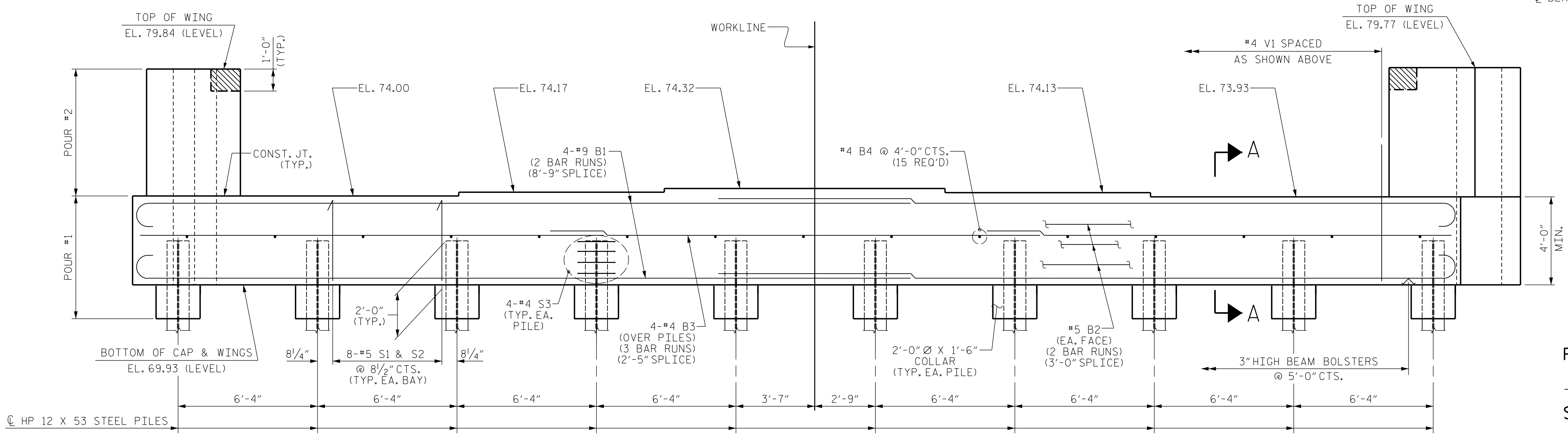


PLAN



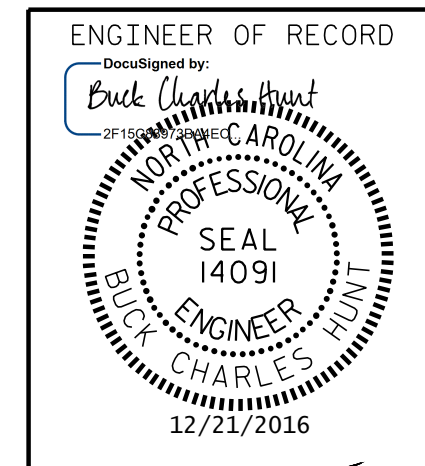
DETAIL "A"
(TYP. EACH GIRDER)



ELEVATION

FOR SECTION A-A, SEE SHEET 3 OF 3.

PROJECT NO. R-5311A
HERTFORD COUNTY
 STATION: 50+99.00 -Y2-
 SHEET 1 OF 3



1223 Jones Franklin Rd.
 Raleigh, N.C. 27606
 Bus: 919 851 8077
 Fax: 919 851 8107
 LICENSE NO. F-0377

STATE OF NORTH CAROLINA
 DEPARTMENT OF TRANSPORTATION
 RALEIGH
 SUBSTRUCTURE
 END BENT No. 2

REVISIONS						SHEET NO.
NO.	BY:	DATE:	NO.	BY:	DATE:	S02-25
1			3			TOTAL SHEETS
2			4			61

DRAWN BY: J. PENDERGRAFT DATE: 3-16
 CHECKED BY: J. DILWORTH DATE: 3-16

DOCUMENT NOT CONSIDERED FINAL
 UNLESS ALL SIGNATURES COMPLETED

P:\2015\A-5311A\Structures\Str 2 -Y2-DGN\A-5311A_STR_Y2_EBT.dgn
 12/20/2016 2:47:50 PM