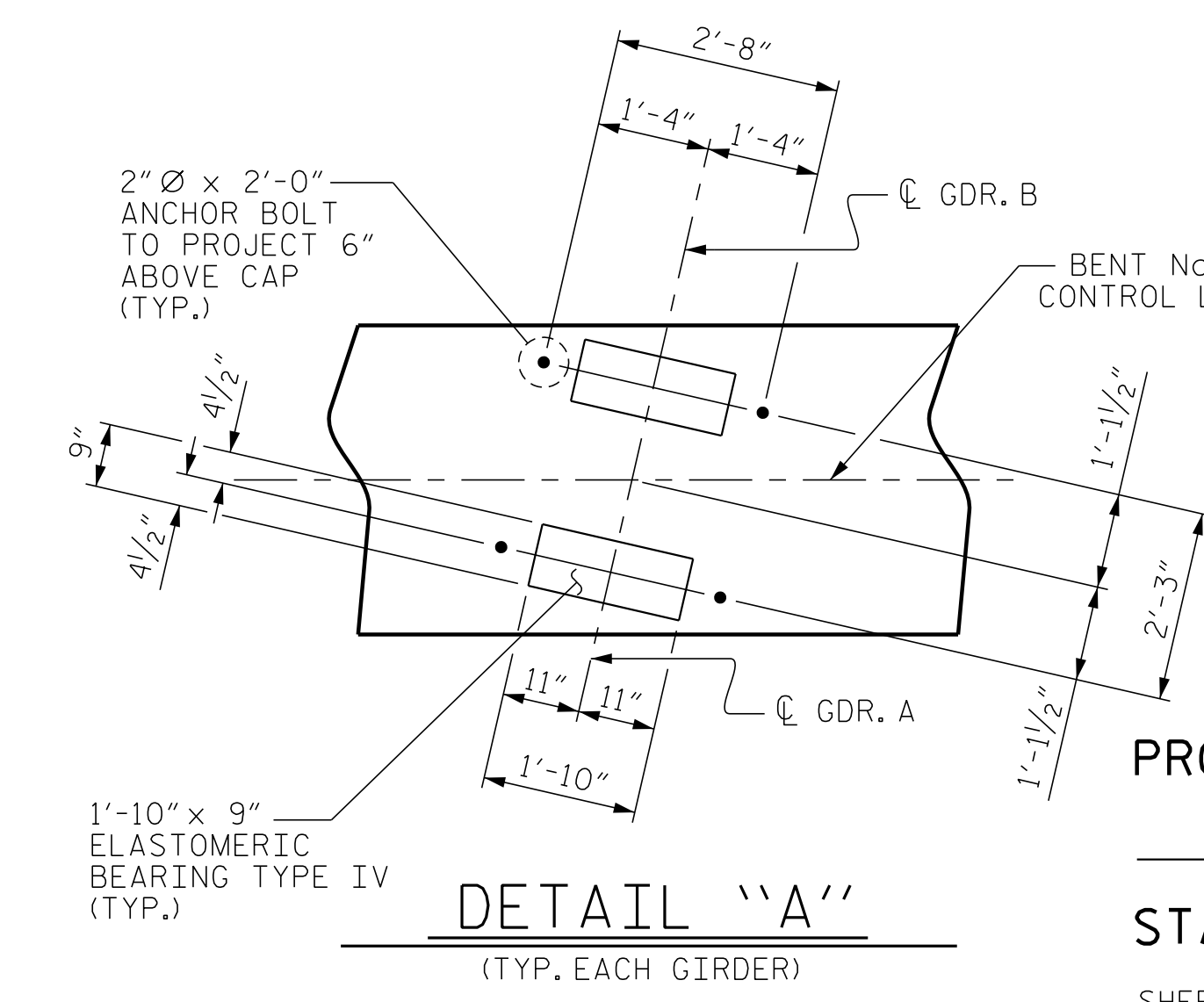
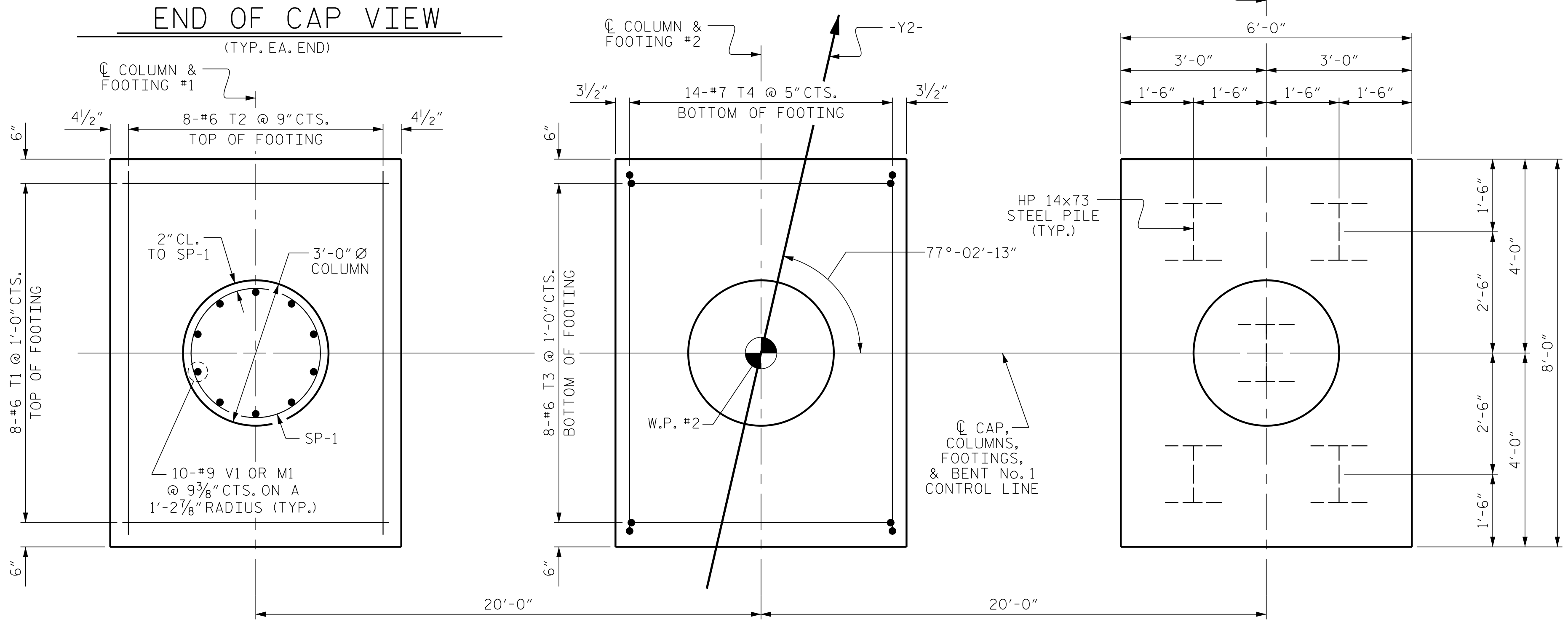
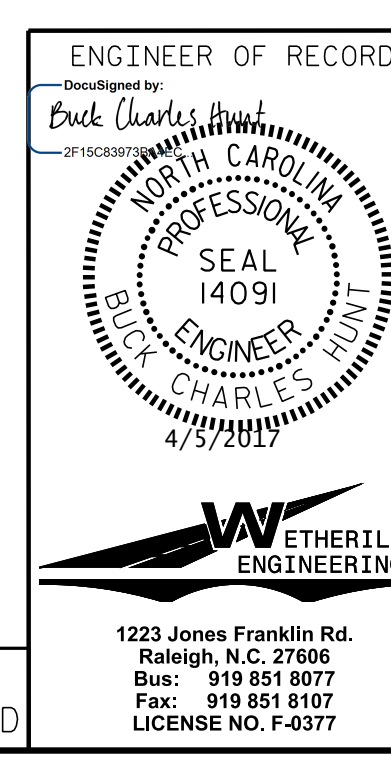


BILL OF MATERIAL					
BENT No. 1					
BAR	NO.	SIZE	TYPE	LENGTH	WEIGHT
B1	6	#11	STR	51'-2"	1631
B2	6	#11	1	54'-2"	1727
B3	6	#4	STR	13'-8"	55
B4	6	#5	STR	51'-2"	320
M1	30	#9	2	8'-4"	850
S1	12	#5	4	12'-8"	159
S2	140	#5	4	11'-4"	1655
T1	24	#6	STR	5'-6"	198
T2	24	#6	STR	7'-6"	270
T3	24	#6	1	6'-10"	246
T4	42	#7	1	9'-2"	787
U1	52	#4	3	6'-6"	226
U2	8	#4	3	6'-4"	34
U3	6	#4	3	7'-0"	28
V1	30	#9	2	22'-4"	2278

REINFORCING STEEL					10,464 LBS.
SP-1	3	**	5	674'-6"	1352
SPIRAL COLUMN REINFORCING STEEL					1,352 LBS.
CLASS A CONCRETE BREAKDOWN					
POUR #1	FOOTINGS				18.7 C.Y.
POUR #2	COLUMNS				15.2 C.Y.
POUR #3	CAP				34.1 C.Y.
TOTAL CLASS A CONCRETE					68.0 C.Y.
HP 14 X 73 STEEL PILES					
NO: 15					LIN. FT. = 1,061
PILE REDRIVES					8 EA.
FOUNDATION EXCAVATION					LUMP SUM
PILE DRIVING EQUIPMENT SET UP FOR HP 14 X 73 STEEL PILES					15 EA.



PROJECT NO. R-5311A
 HERTFORD COUNTY
 STATION: 50+99.00 -Y2-
 SHEET 2 OF 2



ENGINEER OF RECORD					
Buck Charles Hunt					
NORTH CAROLINA PROFESSIONAL ENGINEER SEAL 14091					
Buck Charles Hunt					
ETHERILL ENGINEERING					
1223 Jones Franklin Rd. Raleigh, N.C. 27606					
Bus: 919 851 8077 Fax: 919 851 8107 LICENSE NO. F-0377					
STATE OF NORTH CAROLINA DEPARTMENT OF TRANSPORTATION RALEIGH					
SUBSTRUCTURE BENT No. 1					
REVISIONS					
NO.	BY:	DATE:	NO.	BY:	DATE:
1			3		
2			4		
SHEET NO. S02-24					TOTAL SHEETS 61

P:\2015\A-5311A\Structures\Str 2 -Y2-DGN\A-5311A_STR_Y2_BT.dgn
 4/5/2017 11:44:50 AM

DRAWN BY: D. HODGE DATE: 7/16
 CHECKED BY: J. DILWORTH DATE: 8/16

PLAN OF FOOTINGS AND COLUMNS
 PILE PLACEMENT, REINFORCING STEEL, DIMENSIONS AND DETAILS ARE TYPICAL FOR EACH COLUMN AND FOOTING.

DOCUMENT NOT CONSIDERED FINAL UNLESS ALL SIGNATURES COMPLETED