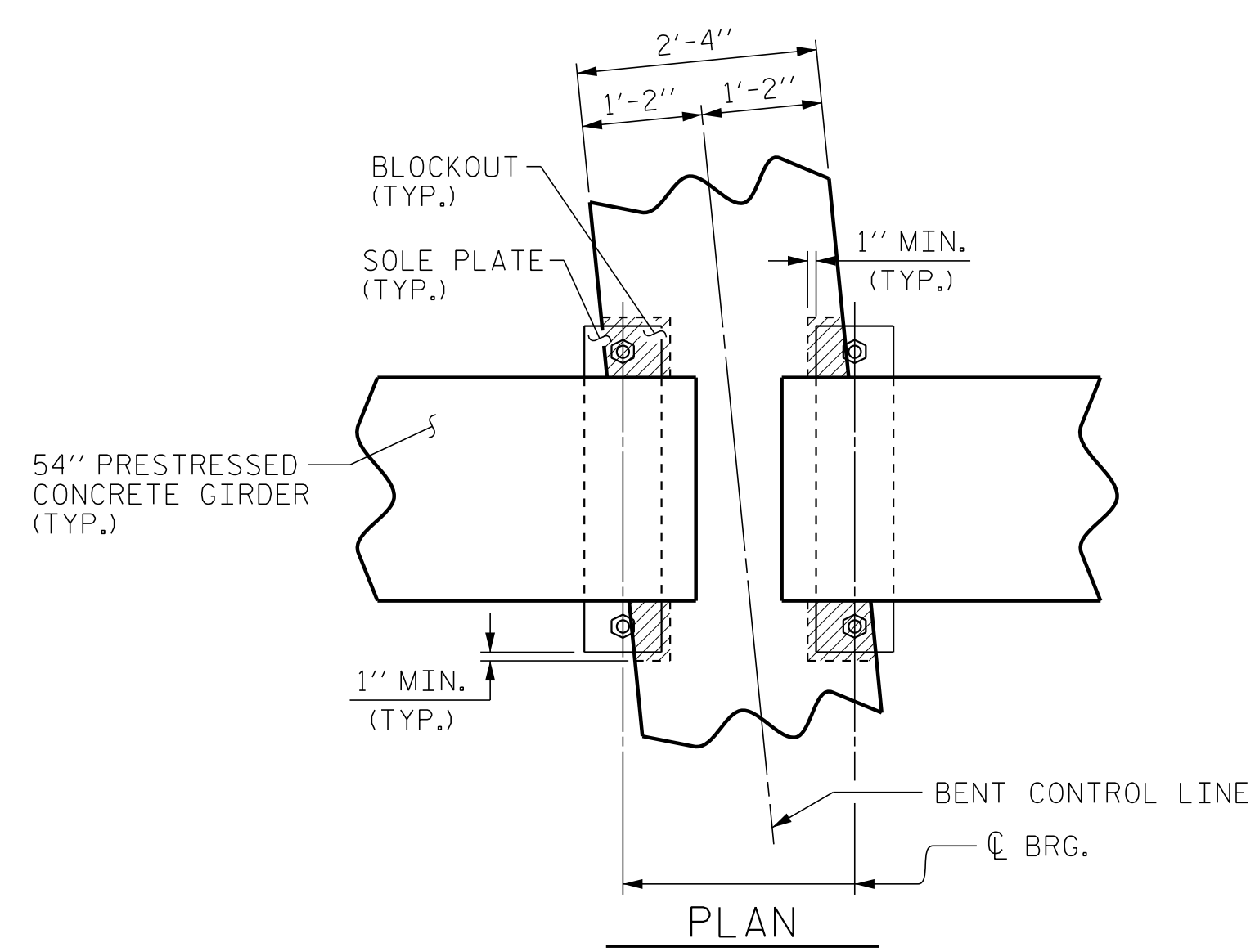


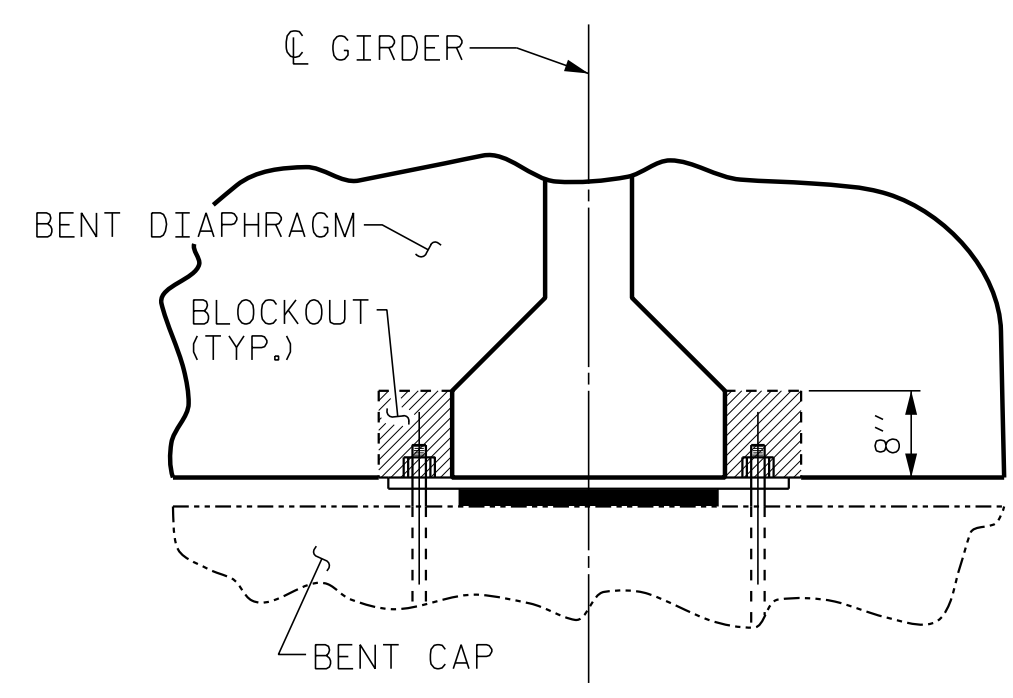
NOTE *
THESE BARS ARE TO MATCH
#4 "V" BARS IN END BENT

HALF SECTION - INTEGRAL END BENT DIAPHRAGM HALF SECTION - BENT DIAPHRAGM

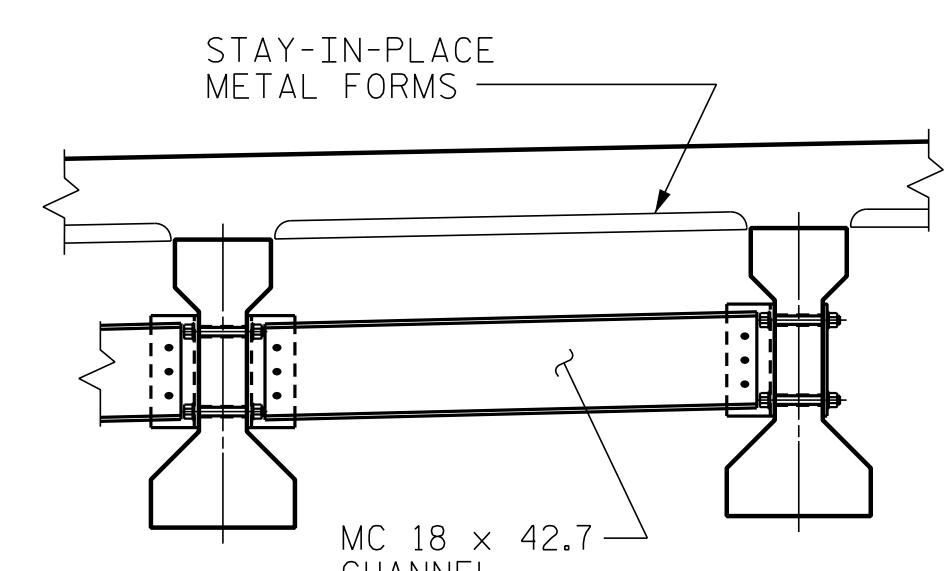
TYPICAL SECTION



BENT DIAPHRAGM BLOCK-OUT DETAIL



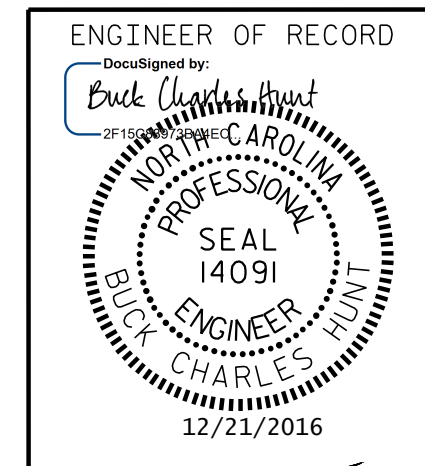
SECTION



TYPICAL INTERMEDIATE DIAPHRAGM

SEE "INTERMEDIATE STEEL DIAPHRAGMS FOR TYPE IV PRESTRESSED CONCRETE GIRDERS" SHEET FOR DETAILS

PROJECT NO. R-5311A
HERTFORD COUNTY
STATION: 50+99.00 -Y2-
SHEET 1 OF 2



STATE OF NORTH CAROLINA
DEPARTMENT OF TRANSPORTATION
RALEIGH
SUPERSTRUCTURE
TYPICAL SECTION

REVISIONS						SHEET NO.
NO.	BY:	DATE:	NO.	BY:	DATE:	SHEET NO.
1			3			TOTAL SHEETS
2			4			61

DOCUMENT NOT CONSIDERED FINAL
UNLESS ALL SIGNATURES COMPLETED

P:\2015\A-5311A\Structures\Str 2 -Y2-DGN\A-5311A_STR_Y2_T.S.dgn 12/20/2016 2:13:57 PM

DRAWN BY: D. HODGE DATE: 3/16
CHECKED BY: G.M. GILLAND DATE: 3/16