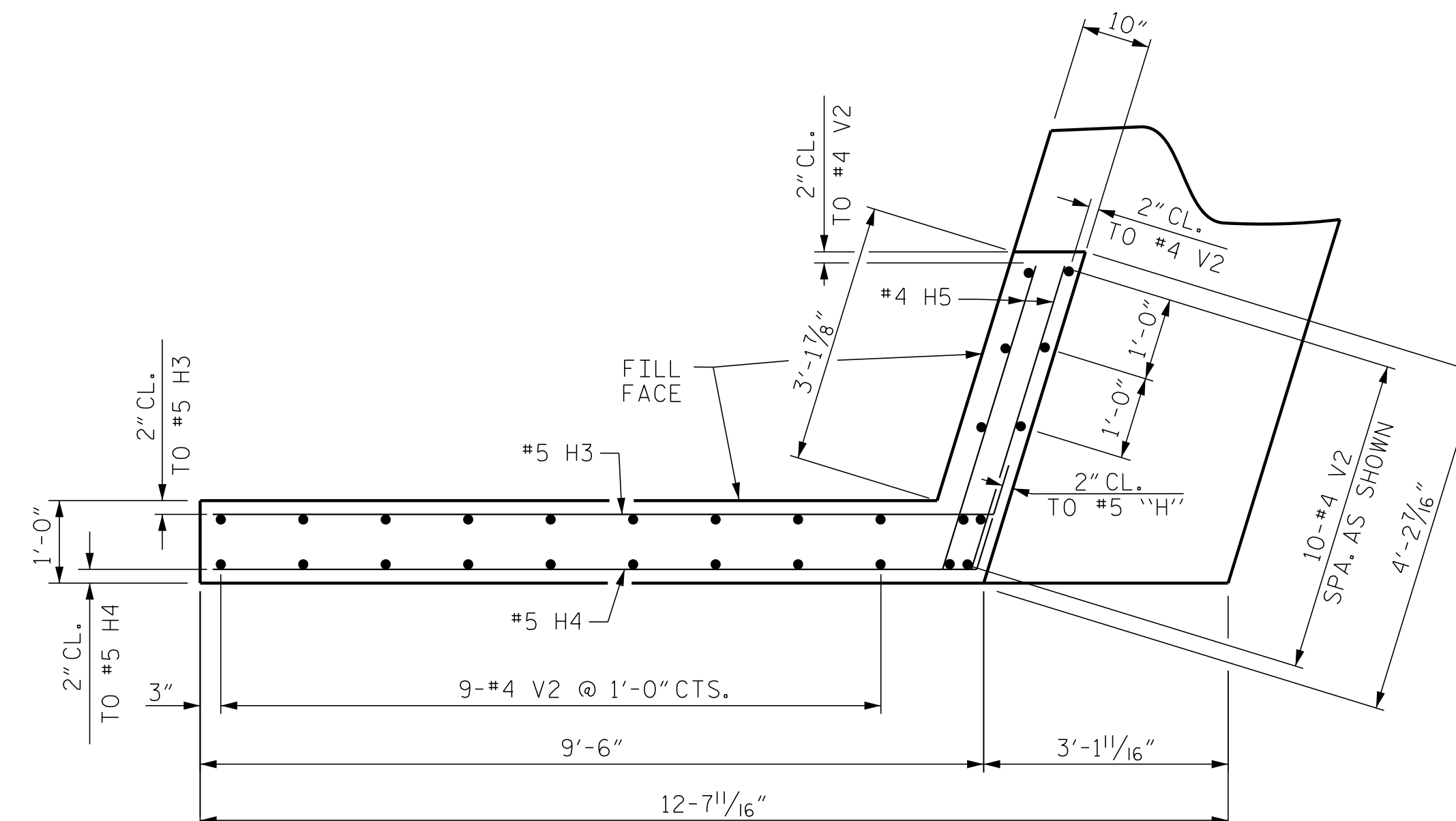
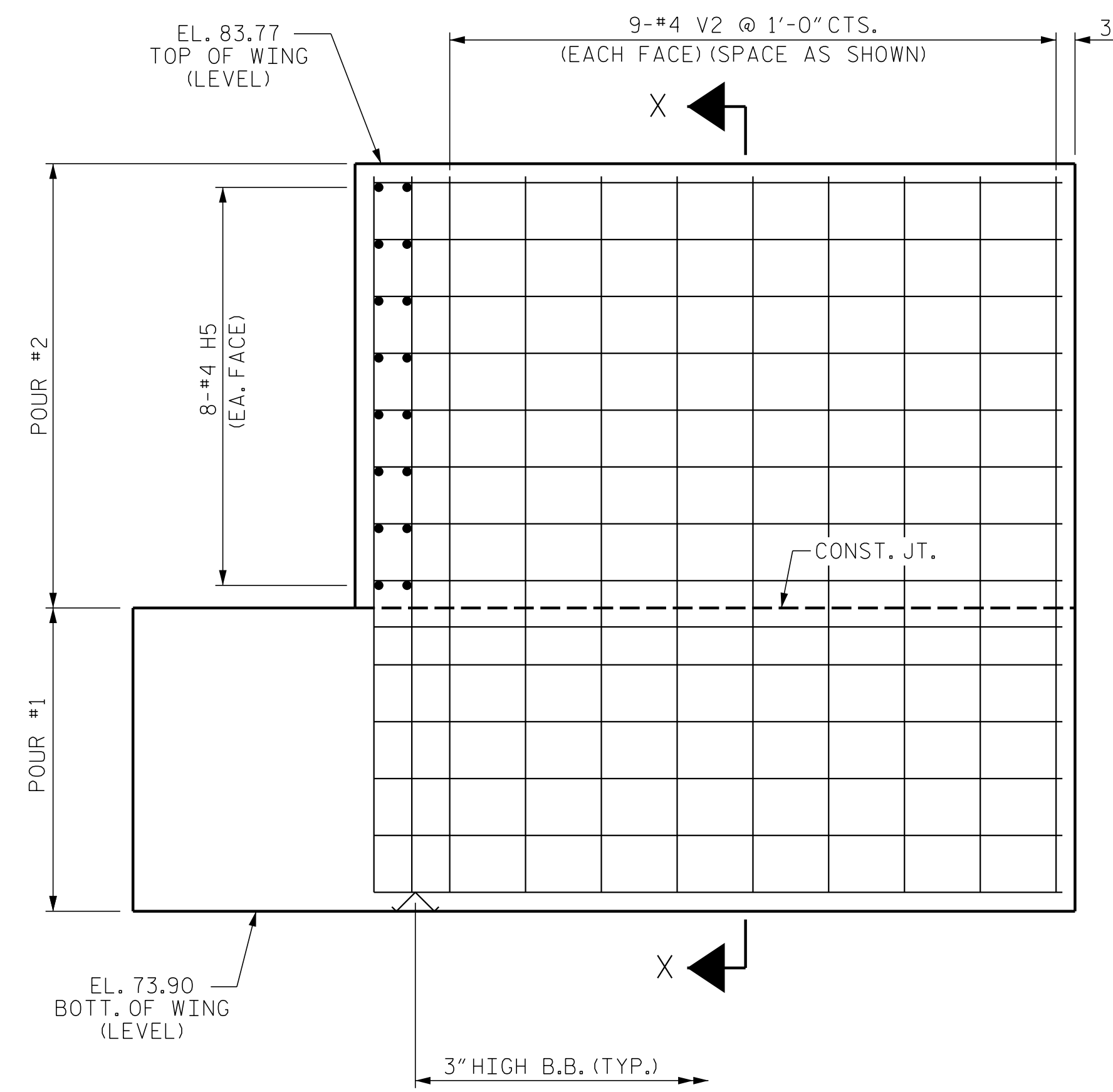


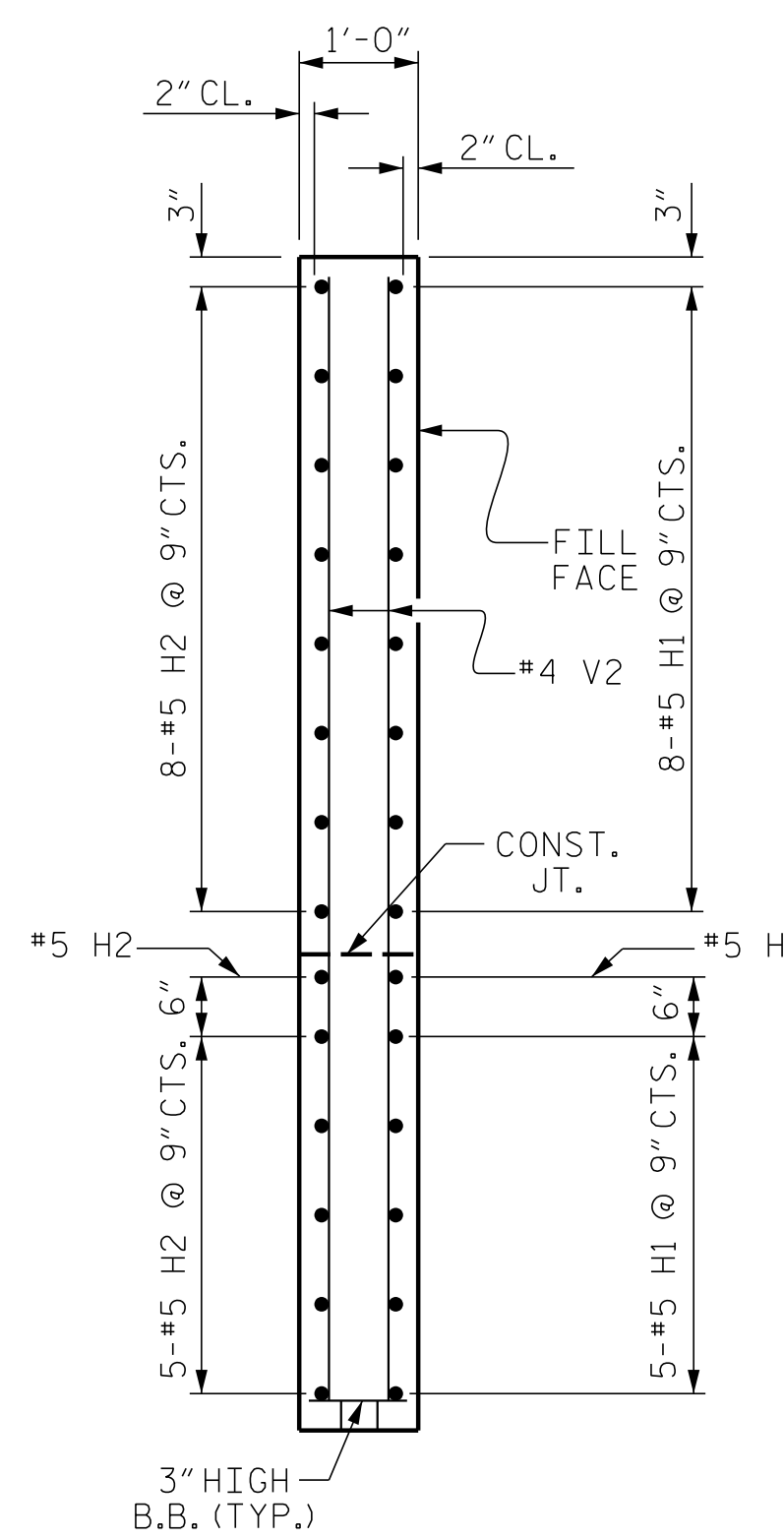
PLAN OF WING - W1



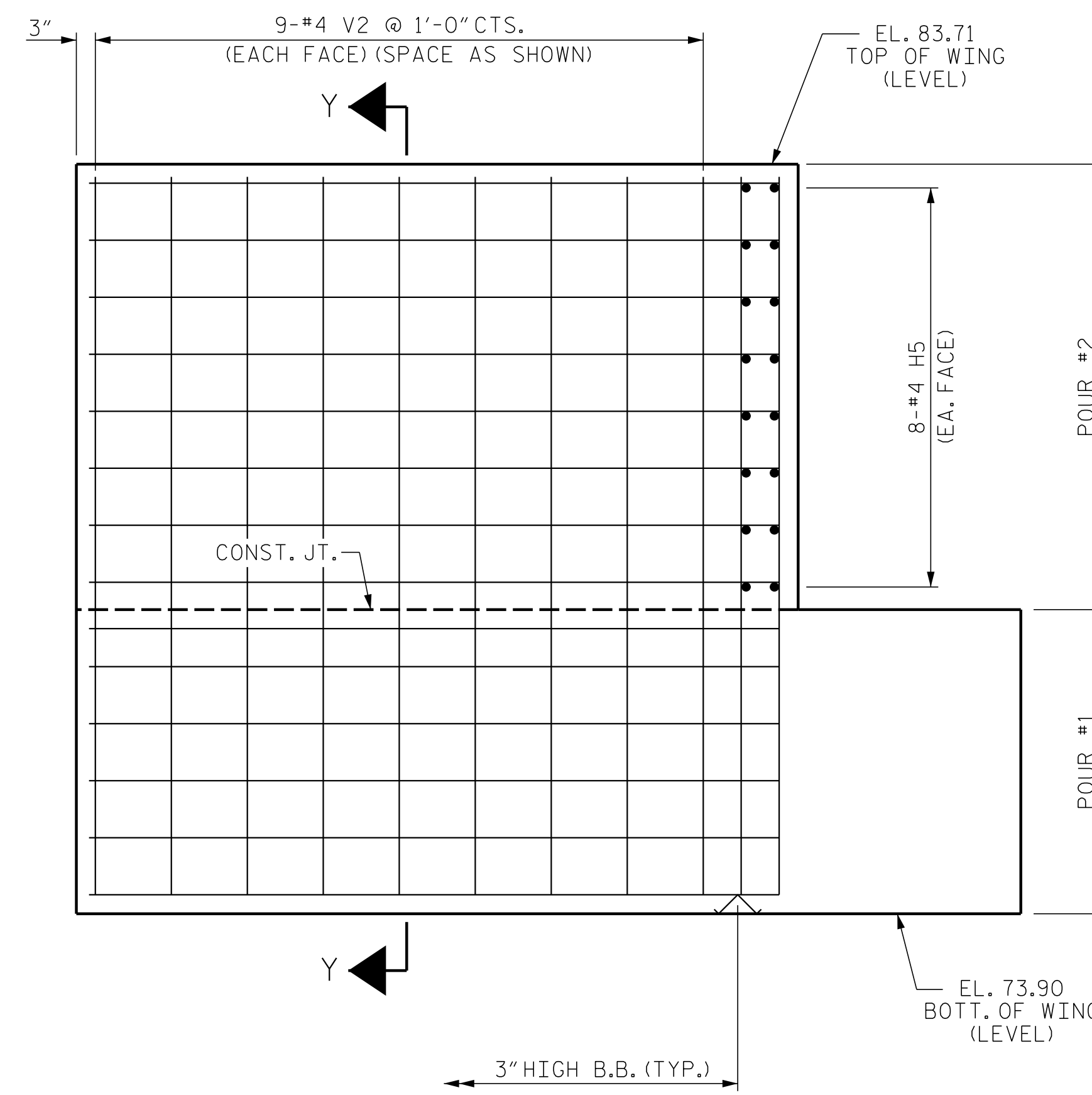
PLAN OF WING - W2



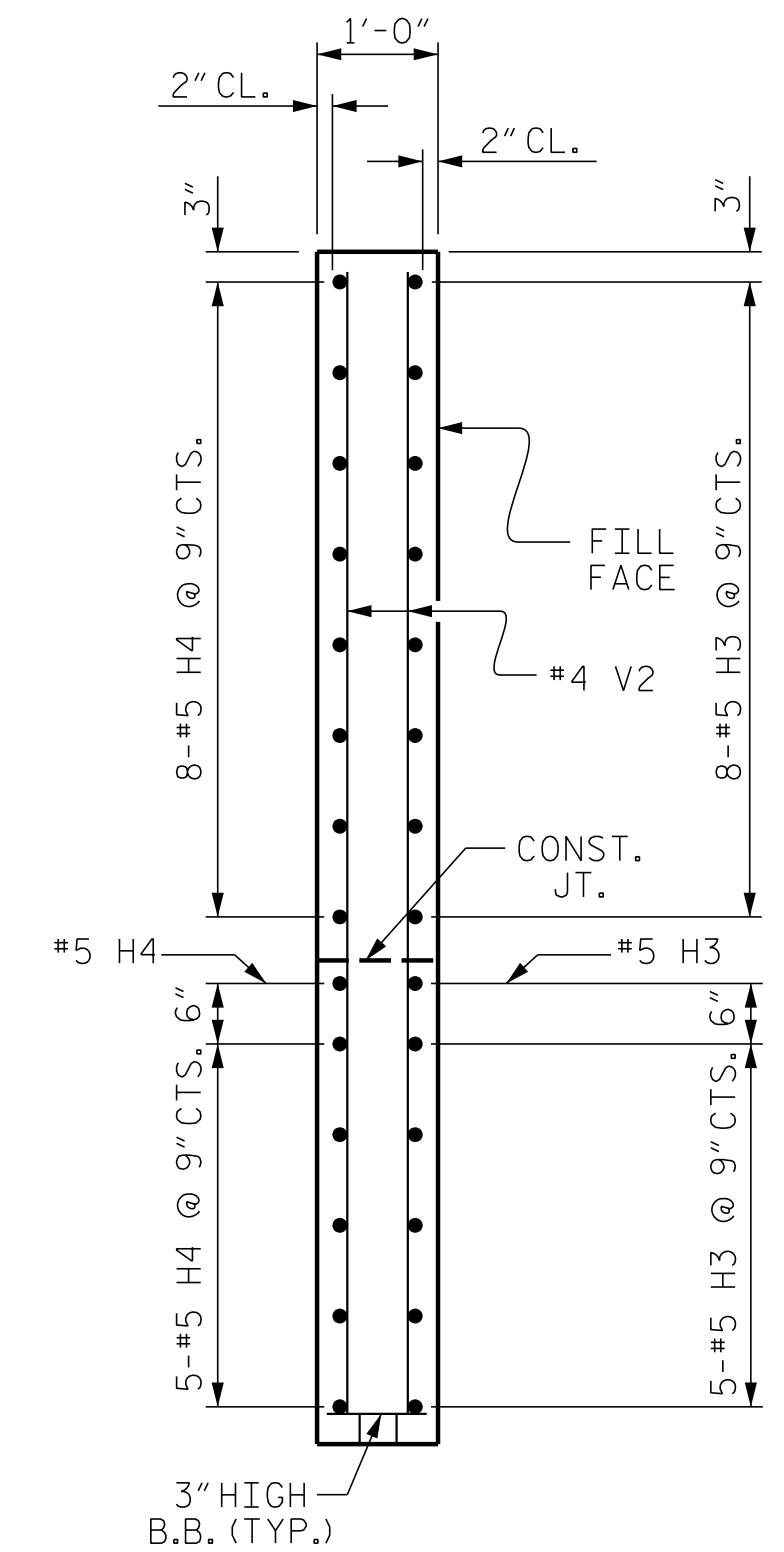
ELEVATION OF WING - W1



SECTION X-X



ELEVATION OF WING - W2



SECTION Y-Y

PROJECT NO. R-5311A  
HERTFORD COUNTY  
 STATION: 25+47.22 -Y1-

SHEET 2 OF 3

ENGINEER OF RECORD:  
 Buck Charles  
 27 NORTH CAROLINA  
 PROFESSIONAL  
 SEAL  
 14091  
 BUCK ENGINEER  
 CHARLES BUCK  
 12/21/2016

ETHERILL  
 ENGINEERING

1223 Jones Franklin Rd.  
 Raleigh, N.C. 27606  
 Bus: 919 851 8077  
 Fax: 919 851 8107  
 LICENSE NO. F-0377

STATE OF NORTH CAROLINA  
 DEPARTMENT OF TRANSPORTATION  
 RALEIGH

SUBSTRUCTURE  
 END BENT No. 1

REVISIONS

NO.	BY:	DATE:	NO.	BY:	DATE:
1			3		
2			4		

SHEET NO.  
 S01-20  
 TOTAL SHEETS  
 61

DRAWN BY: J. PENDERGRAFT DATE: 3-16  
 CHECKED BY: G.M. GILLAND/DAH DATE: 3-16

DOCUMENT NOT CONSIDERED FINAL  
 UNLESS ALL SIGNATURES COMPLETED

P:\2015\A-5311A\Structures\Str 1 -Y1-DGN\WR-5311A\_STR\_Y1\_EBT.dgn  
 12/20/2016 1:14:49 PM