
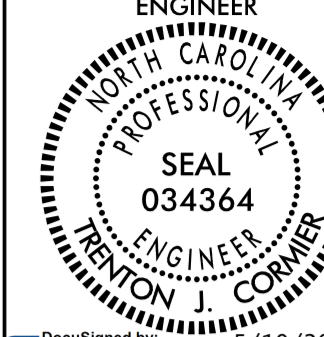
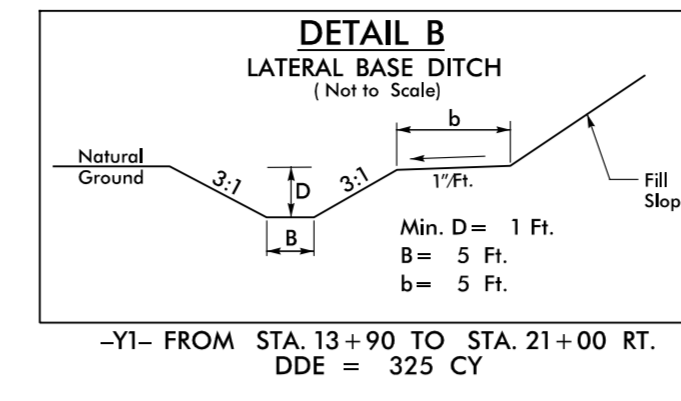
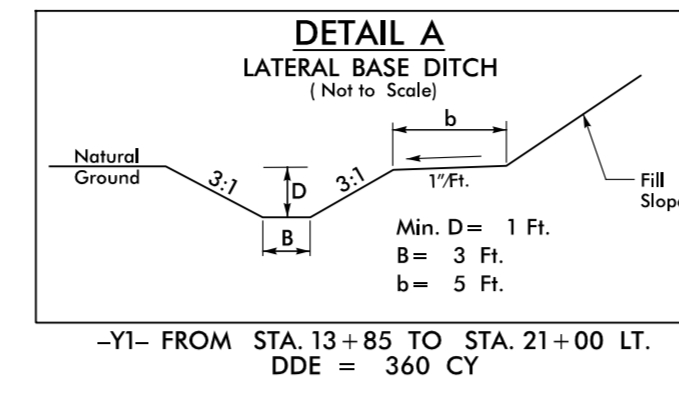
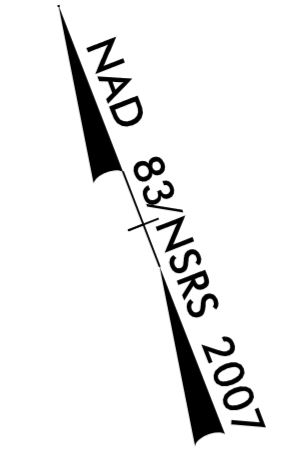
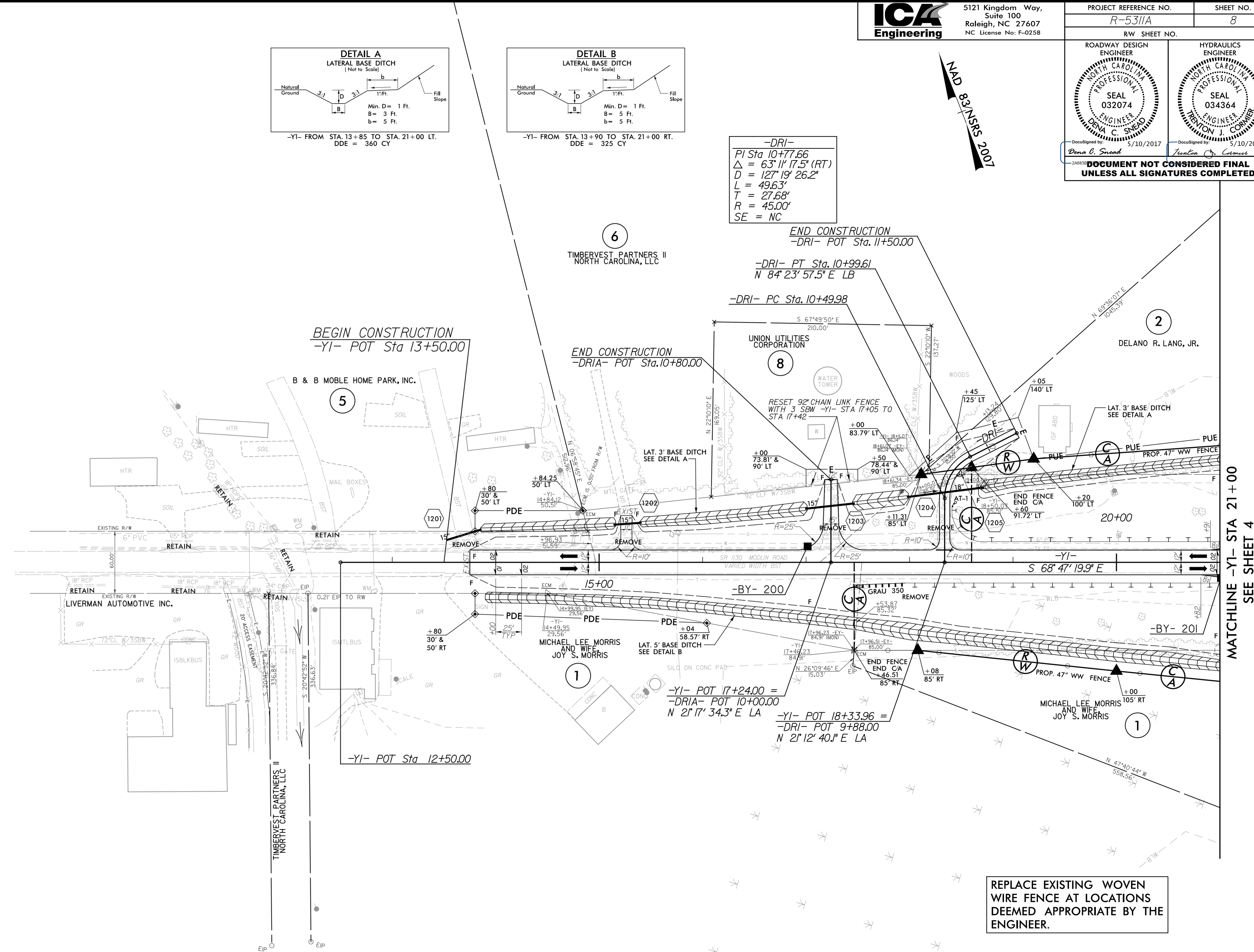


PROJECT REFERENCE NO. <i>R-5311A</i>	SHEET NO. 8
RW SHEET NO.	
ROADWAY DESIGN ENGINEER  Dena C. Sneed 5/10/2017	HYDRAULICS ENGINEER  Brenton J. Cormier 5/10/2017
<b>DOCUMENT NOT CONSIDERED FINAL UNLESS ALL SIGNATURES COMPLETED</b>	



**-DRI-**  
 PI Sta 10+77.66  
 $\Delta = 63^\circ 11' 17.5''$  (RT)  
 D = 127' 19" 26.2"  
 L = 49.63'  
 T = 27.68'  
 R = 45.00'  
 SE = NC



REVISIONS

MATCHLINE -YI- STA 21+00  
SEE SHEET 4