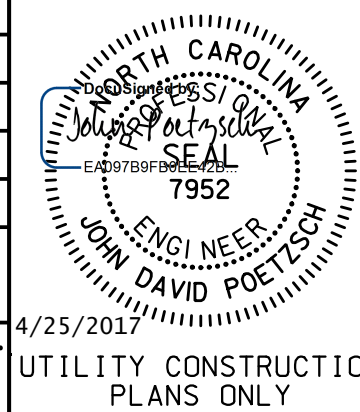
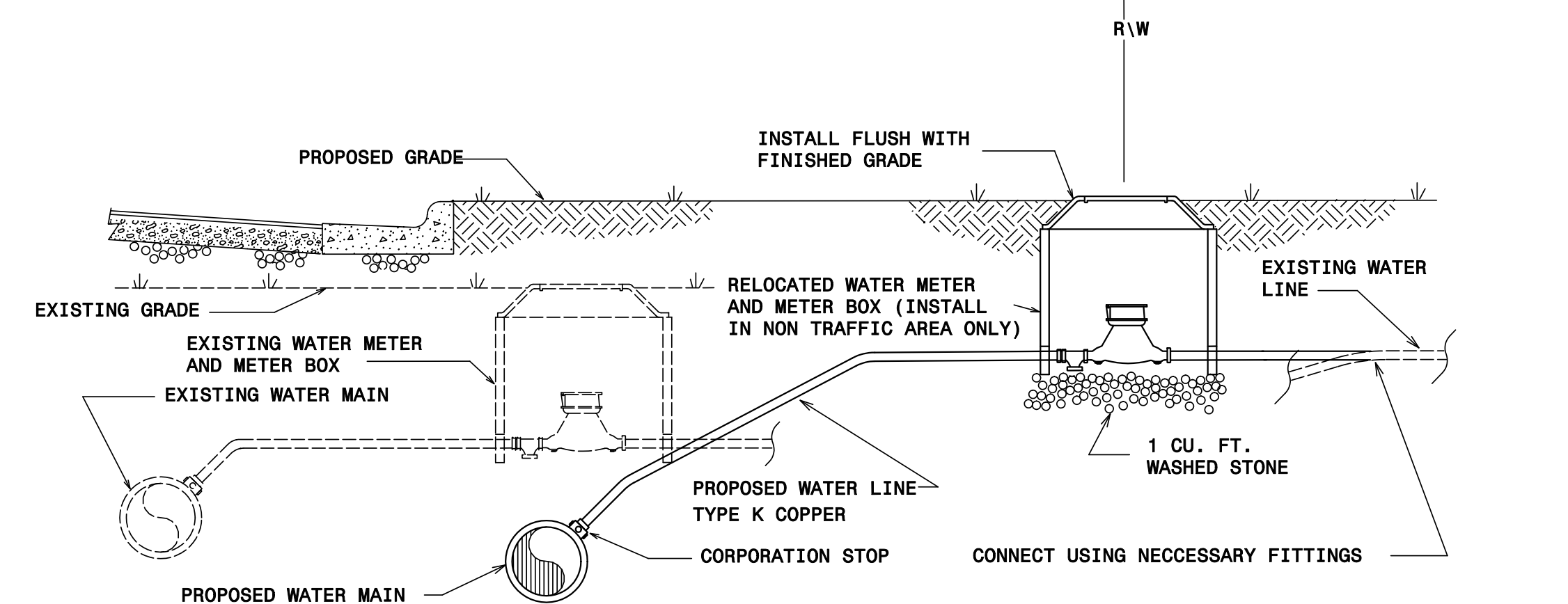
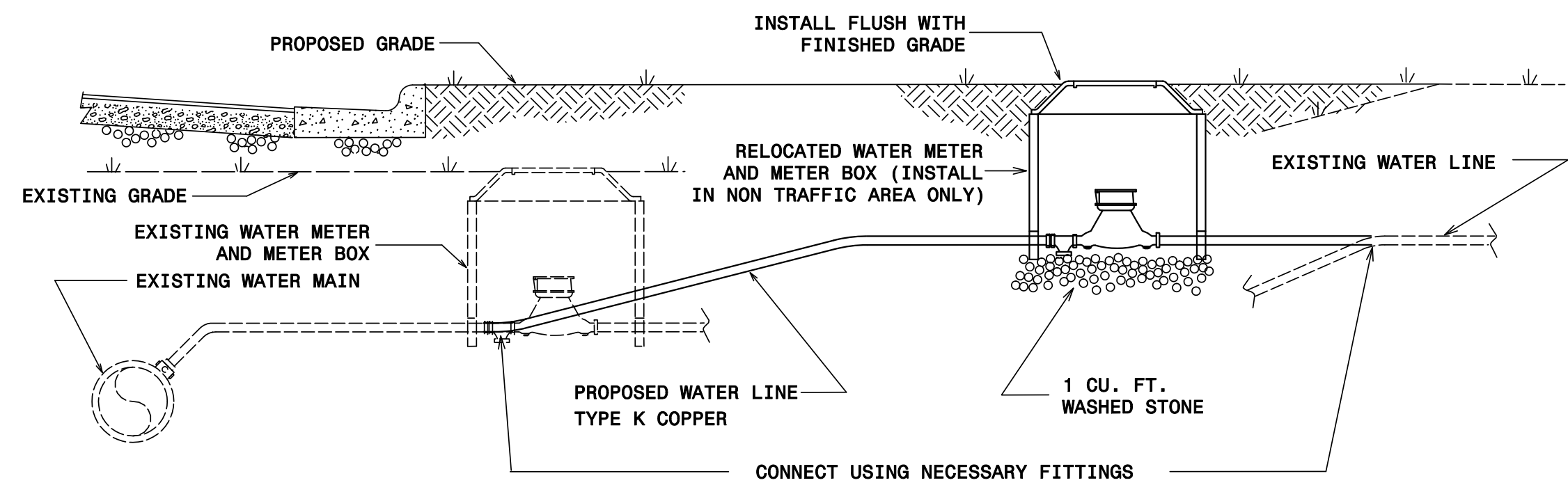


PROJECT REFERENCE NO.	SHEET NO.
U-3633	UC-3B
DESIGNED BY:	
DRAWN BY:	
CHECKED BY:	
APPROVED BY:	
REVISED:	
NORTH CAROLINA DEPARTMENT OF TRANSPORTATION	4/25/2017
UTILITIES ENGINEERING SEC. PHONE: (919) 707-6690 FAX: (919) 250-4151	UTILITY CONSTRUCTION PLANS ONLY

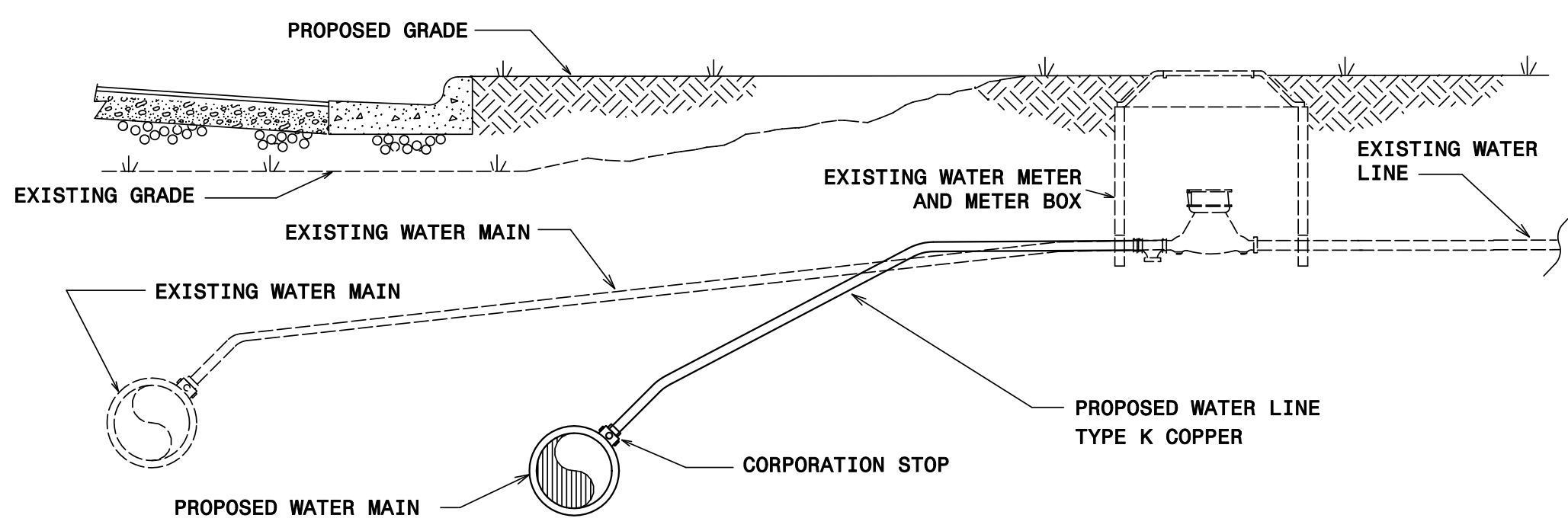


UTILITY CONSTRUCTION



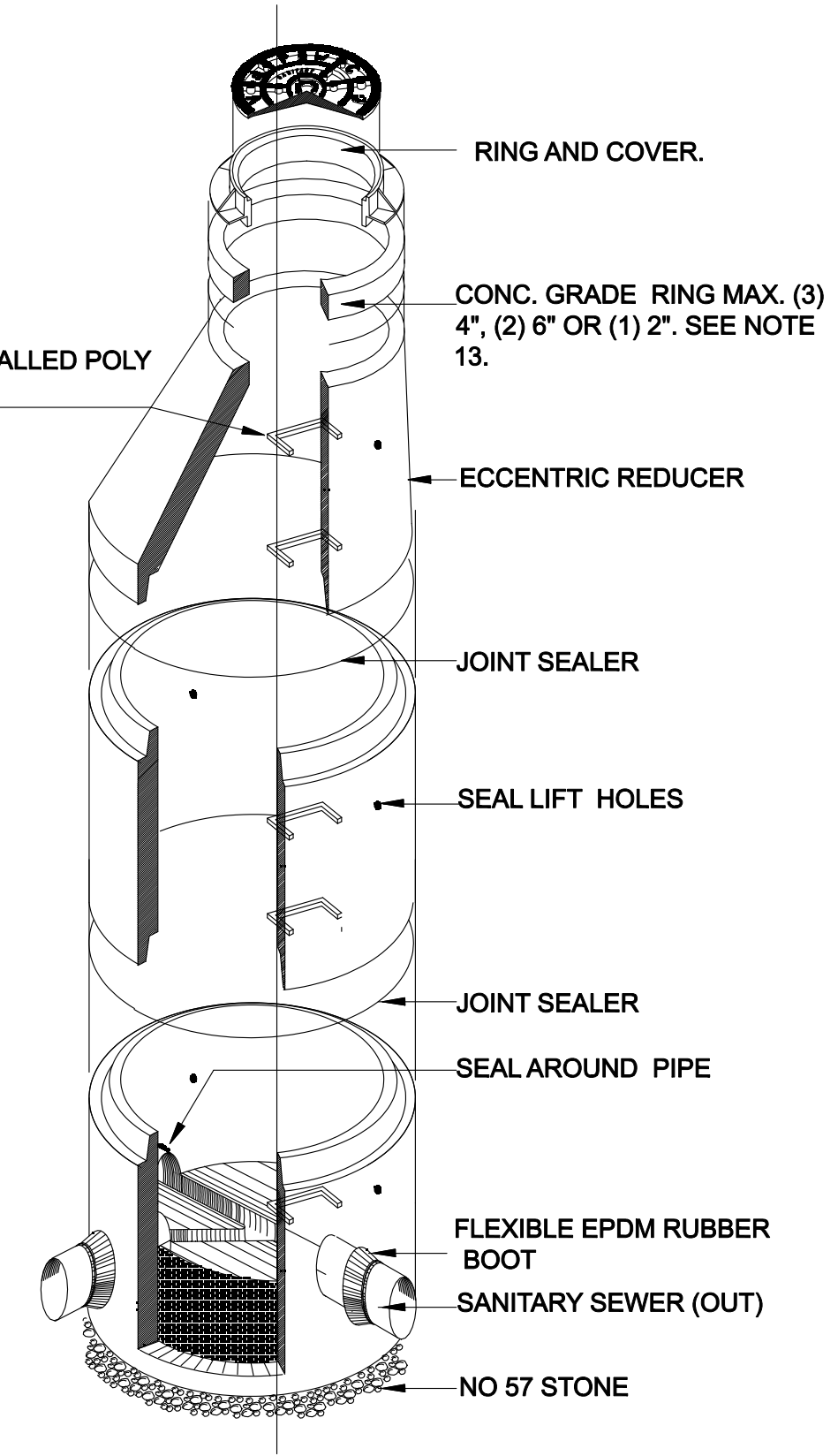
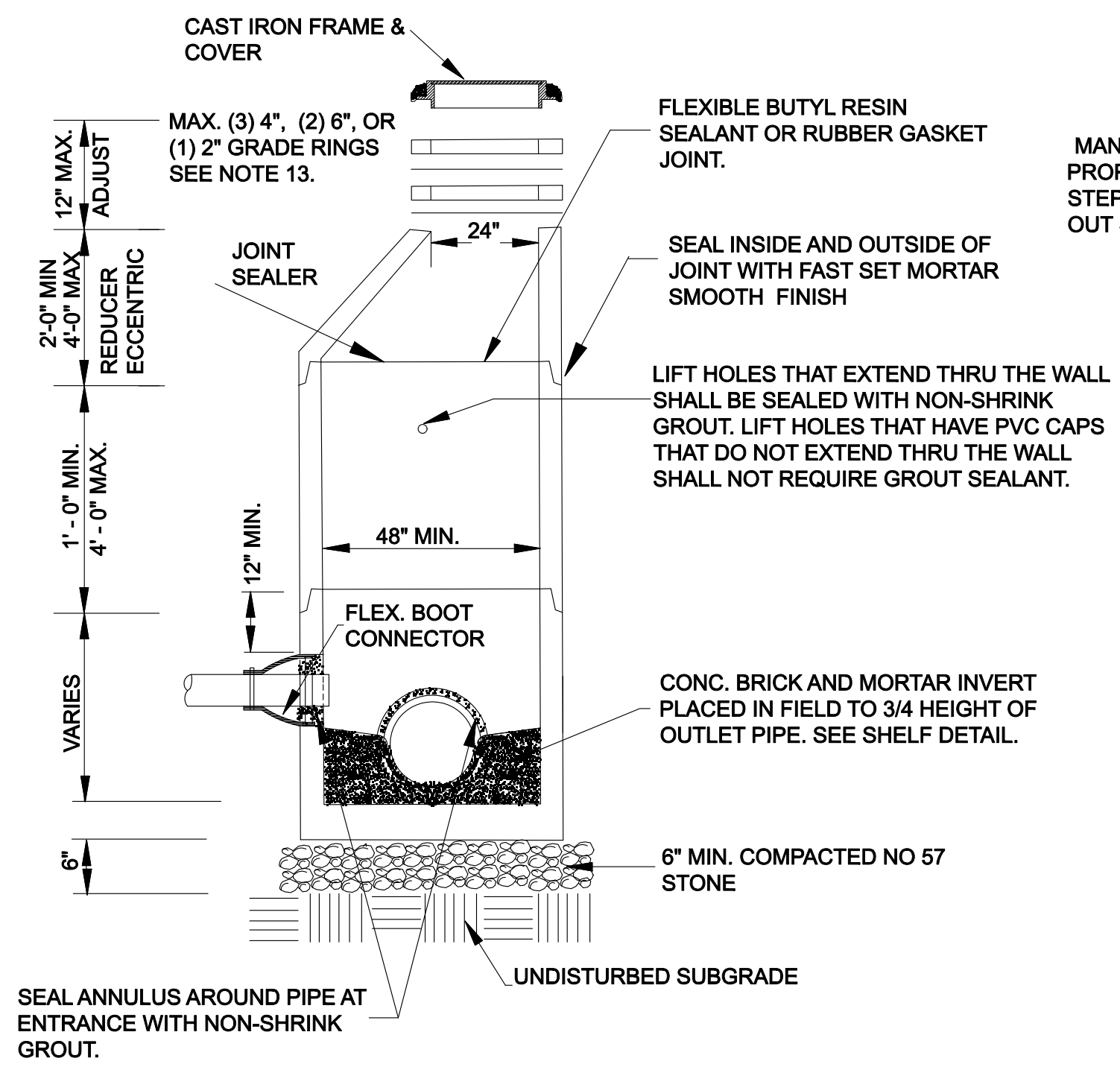
- NOTES:
1. RELOCATION SHALL INCLUDE THE REMOVAL AND INSTALLATION AT THE APPROPRIATE LOCATION OF THE WATER METER, CURB STOP & CLAMPING DEVICE, METER VALVES, AND METER BOX WITH LID.
 2. THE NEW WATER SERVICE LINE SHALL BE OF THE SAME TYPE AND GRADE AS THE EXISTING WATER SERVICE LINE UNLESS OTHERWISE SHOWN ON THE PLANS OR DIRECTED BY THE ENGINEER.
 3. THE NEW WATER SERVICE LINE SHALL BE INSTALLED WITH A MINIMUM OF 12", MAXIMUM OF 24" COVER BELOW FINISHED GRADE.
 4. THE OWNER RESERVES THE RIGHT TO ADD OR DELETE WATER SERVICE TAPS AND TO CHANGE LOCATIONS FROM THOSE SHOWN.

WATER METER RELOCATION DETAILS



- NOTES:
1. THE NEW WATER SERVICE LINE SHALL BE OF THE SAME TYPE AND GRADE AS THE EXISTING WATER SERVICE LINE UNLESS OTHERWISE SHOWN ON THE PLANS OR DIRECTED BY THE ENGINEER.
 2. THE NEW WATER SERVICE LINE SHALL BE INSTALLED WITH A MINIMUM OF 12", MAXIMUM OF 24" COVER BELOW FINISHED GRADE.

RECONNECT EXISTING WATER METER DETAIL



SANITARY SEWER MANHOLE DETAIL