

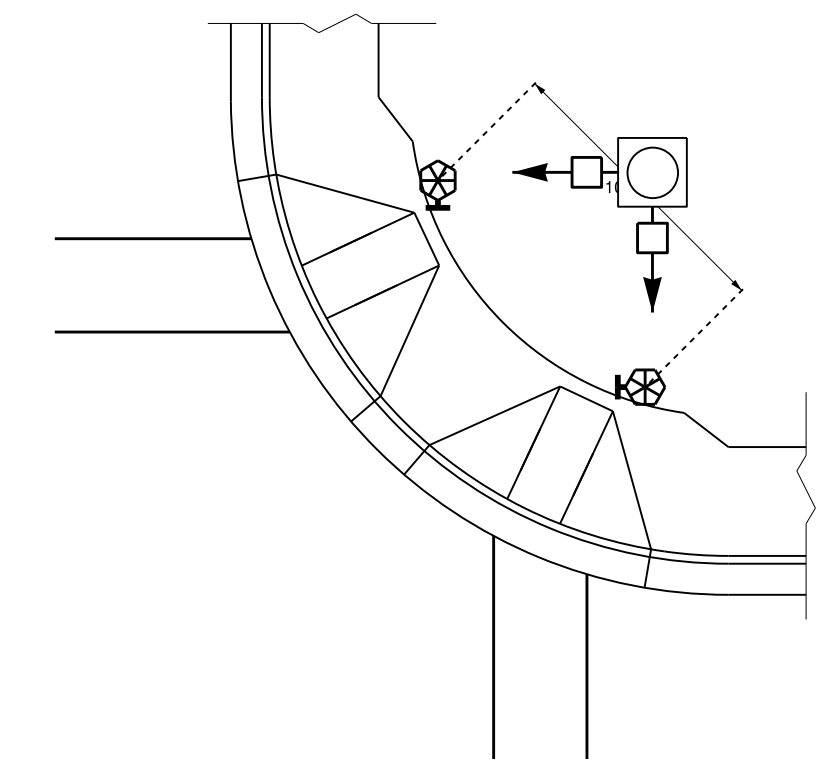
STATE OF NORTH CAROLINA  
DEPT. OF TRANSPORTATION  
DIVISION OF HIGHWAYS  
RALEIGH, N.C.

06-14

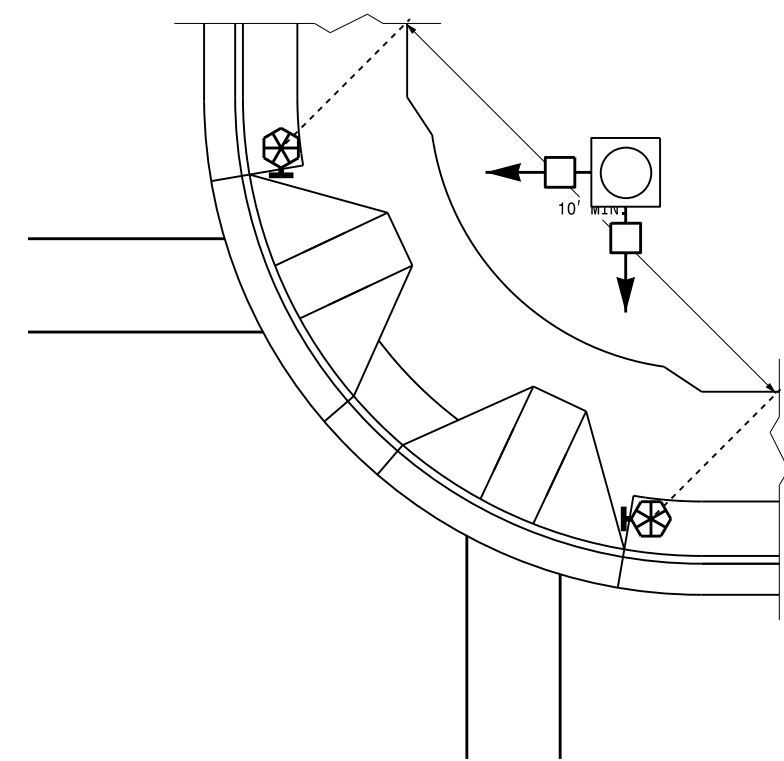
ENGLISH DETAIL DRAWING FOR  
**PEDESTRIAN PUSHBUTTON LOCATIONS**  
PLACEMENT DETAIL

SHEET 2 OF 3  
**1705D01**

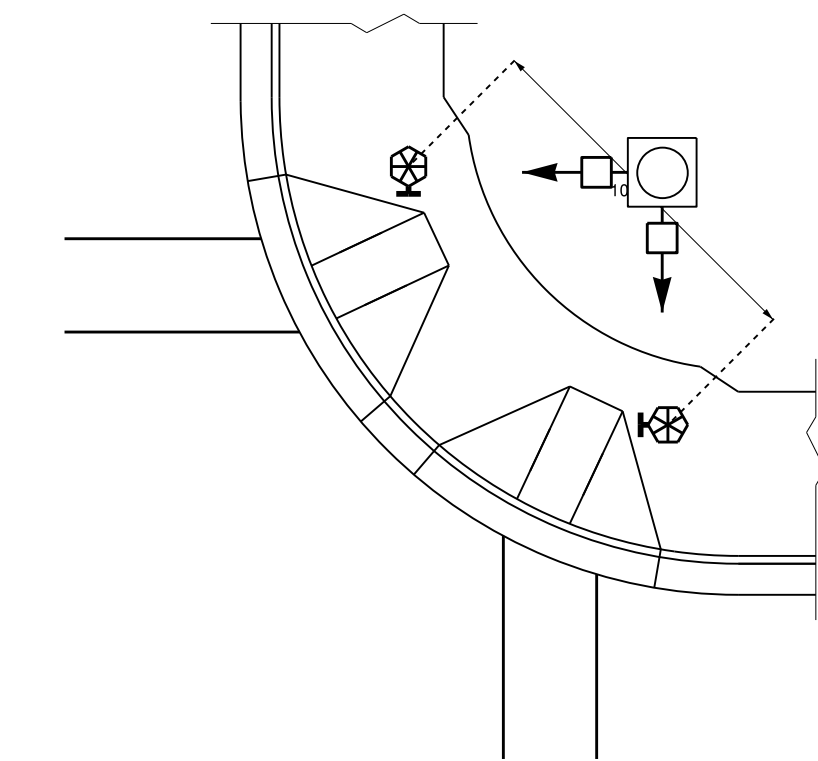
**TYPICAL PUSHBUTTON LOCATIONS (CASE I)**  
SEPARATE CURB RAMPS W/ TYPE I PEDESTALS



BACK OF SIDEWALK IS WITHIN 10'  
OF CURB OR PAVEMENT/SHOULDER



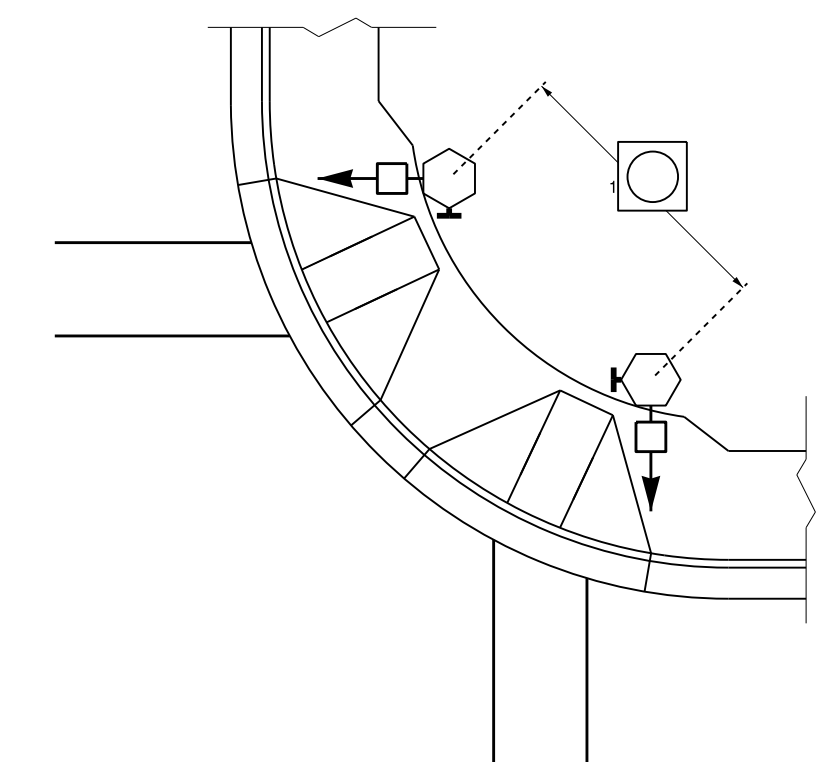
GRASS STRIP PLACEMENT IF BACK  
OF SIDEWALK EXCEEDS 10' FROM  
CURB OR PAVEMENT/SHOULDER



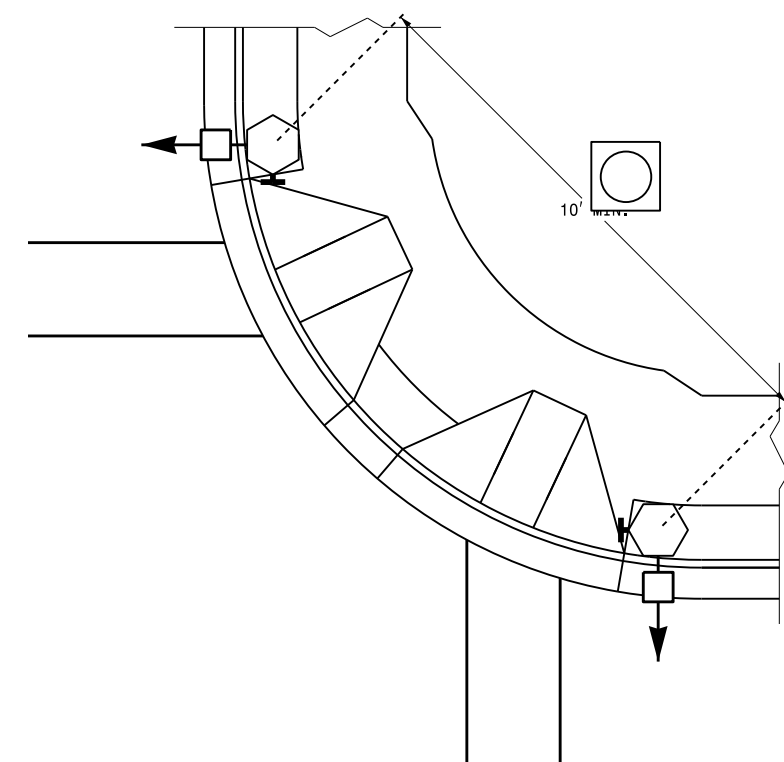
PUSHBUTTON PLACEMENT  
IN WIDE SIDEWALK

- PROPOSED**
- Signal Pole
  - Type I Pushbutton Post
  - Type II Signal Pedestal
  - Pushbutton & Sign
  - Pedestrian Signal Head
  - Curb Ramp
  - Pushbutton Location Area
- LEGEND**

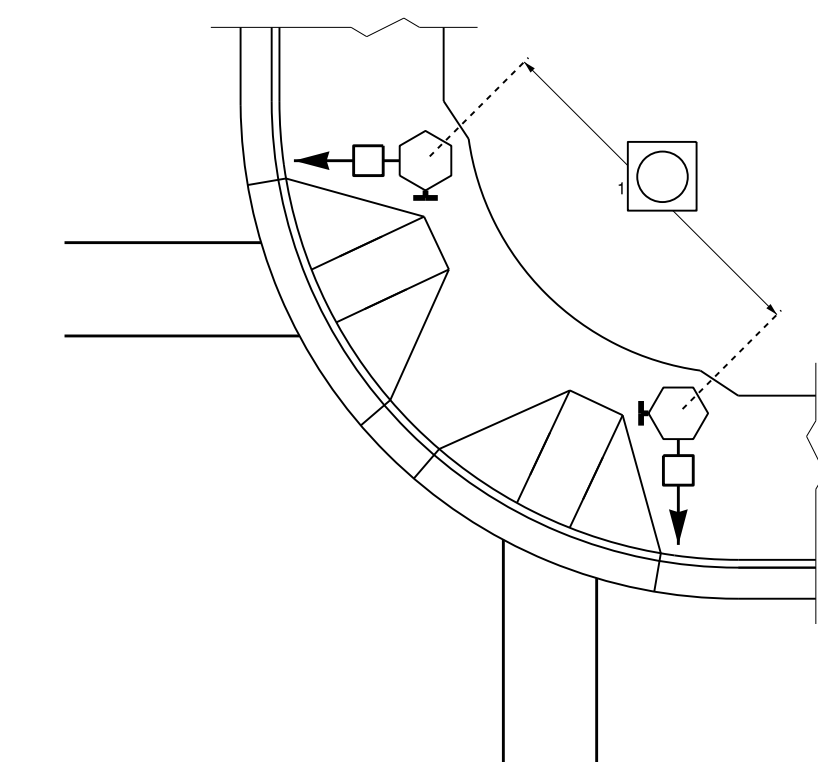
**TYPICAL PUSHBUTTON LOCATIONS (CASE II)**  
SEPARATE CURB RAMPS W/ TYPE II PEDESTALS



BACK OF SIDEWALK IS WITHIN 10'  
OF CURB OR PAVEMENT/SHOULDER

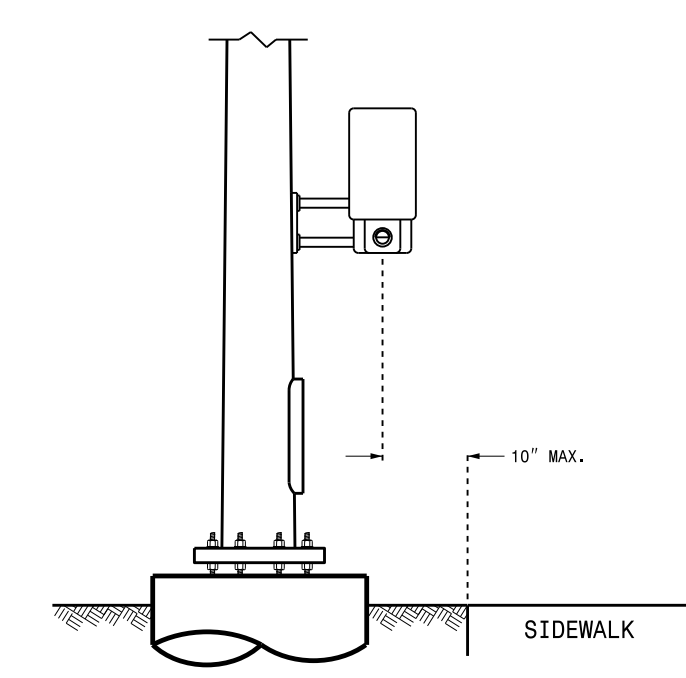


GRASS STRIP PLACEMENT IF BACK  
OF SIDEWALK EXCEEDS 10' FROM  
CURB OR PAVEMENT/SHOULDER



PUSHBUTTON PLACEMENT  
IN WIDE SIDEWALK

**OPTIONAL PUSHBUTTON EXTENSION**  
FACE OF PUSHBUTTON PARALLEL TO  
APPLICABLE CROSSWALK



STATE OF NORTH CAROLINA  
DEPT. OF TRANSPORTATION  
DIVISION OF HIGHWAYS  
RALEIGH, N.C.

06-14

ENGLISH DETAIL DRAWING FOR  
**PEDESTRIAN PUSHBUTTON LOCATIONS**  
PLACEMENT DETAIL

SHEET 2 OF 3  
**1705D01**

See Plate for Title

Prepared in the Offices of:

750 N. Greenfield Parkway  
Garner, NC 27529

SEAL

DocuSigned by:  
*Robert J. Ziemba*  
6/17/2014  
DATE

11-MAY-2017 15:21  
 S:\ITS&SU\ITS\Signal&Signal Design\Section\Central Region\Rob's Files\Ped\_Side\Pushbutton Drawings\Pushbutton Plate Drawings-20140617.dgn  
 rnz:inser