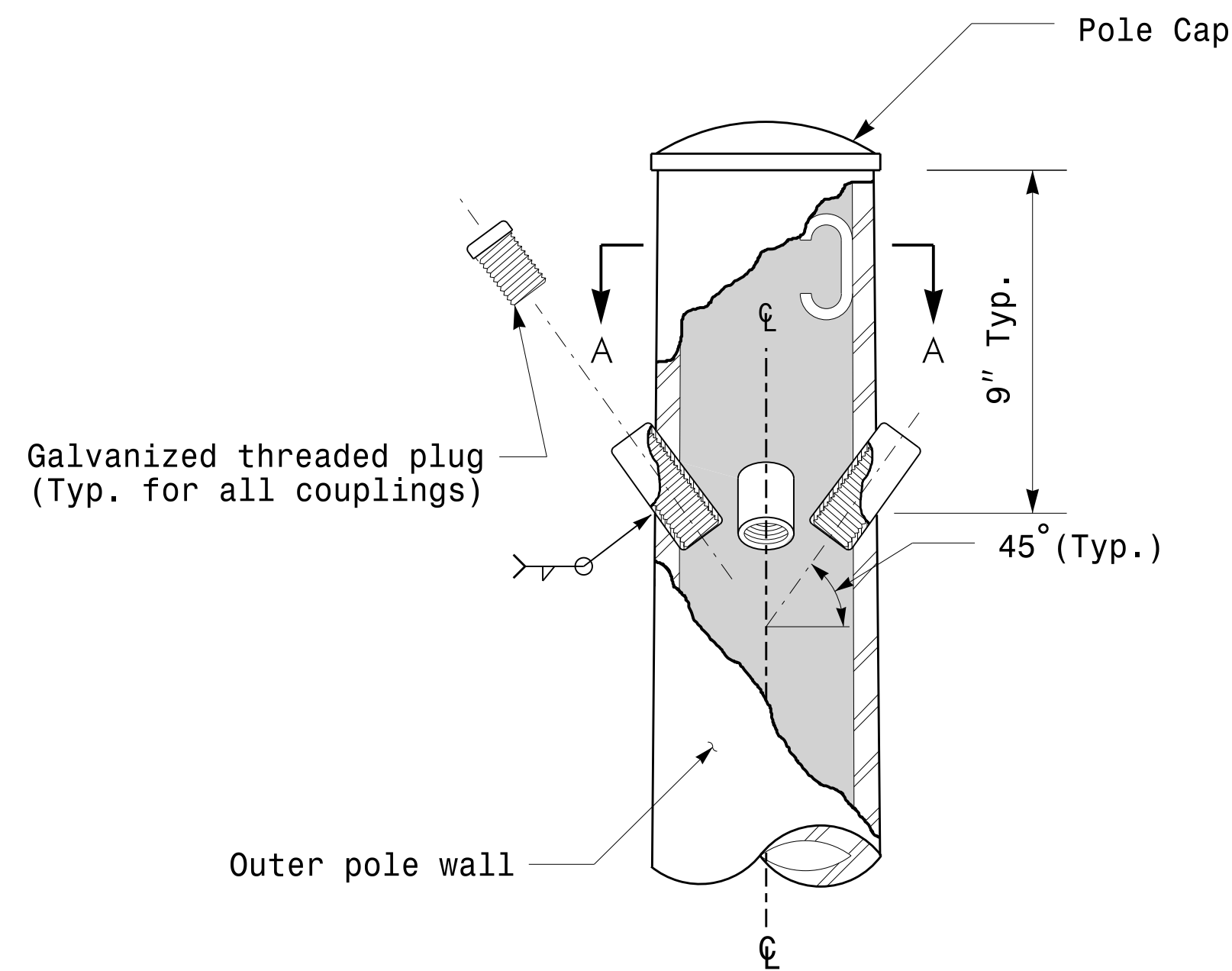
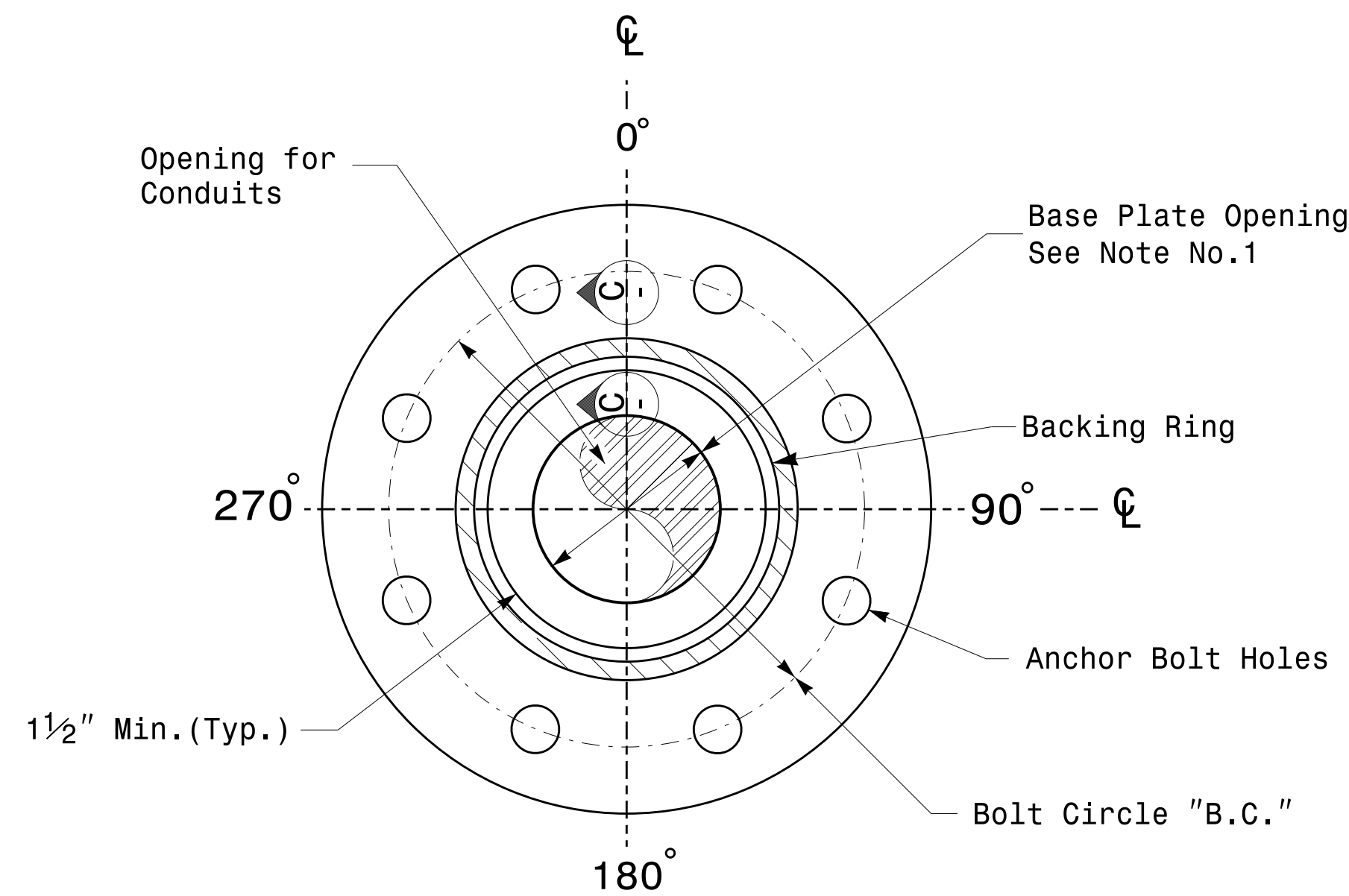


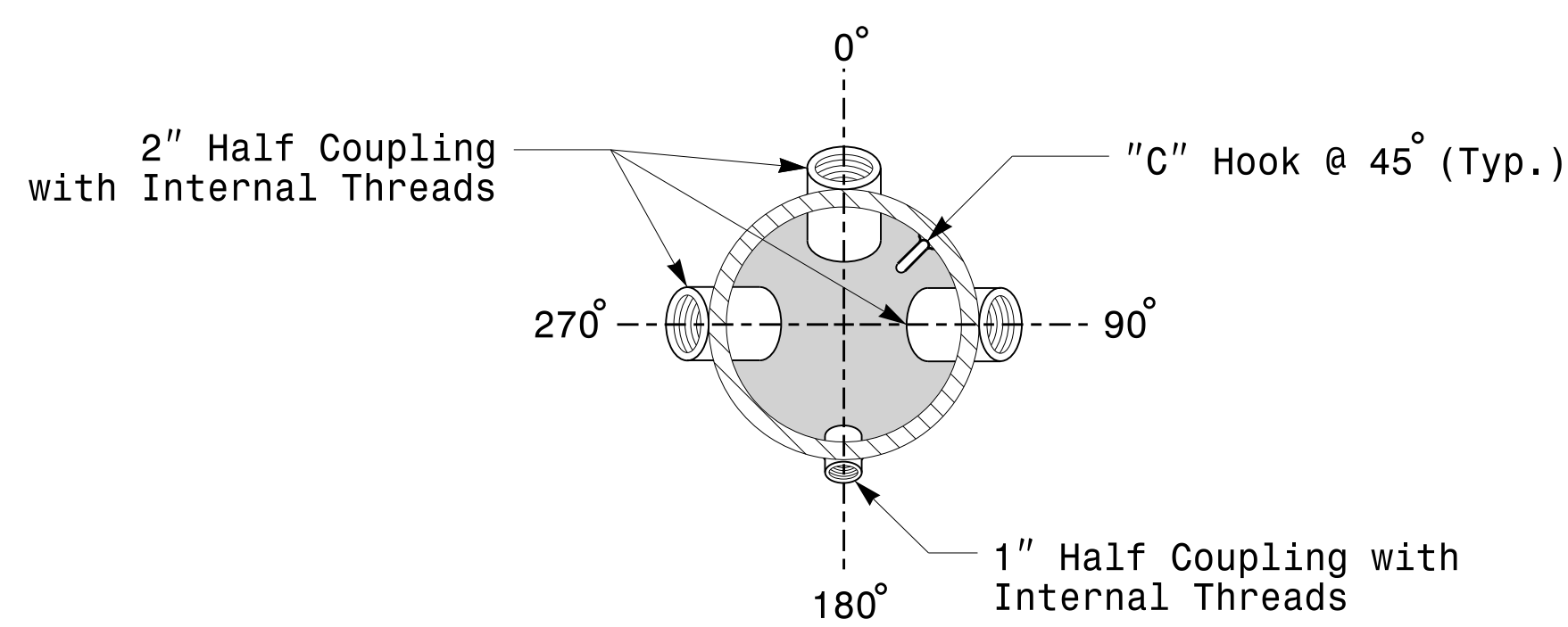
Note:
 1. Opening in pole base plate shall be equal to pole base inside diameter minus 3 1/2" but shall not be less than 8 1/2".



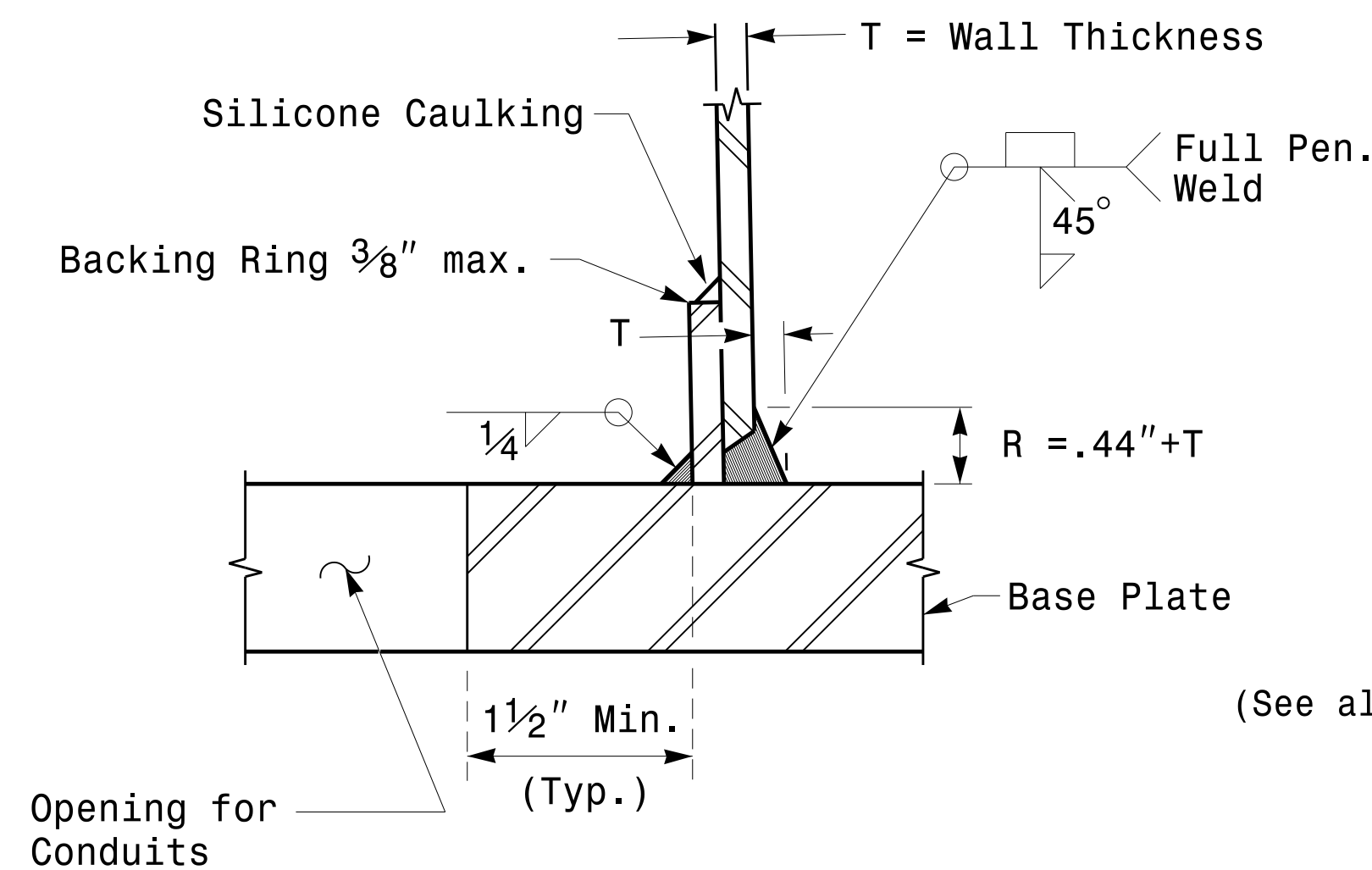
Cable Entrances at Top of Pole



Section B-B
Pole Base Plate Details
(8 and 12 Bolt Pattern)

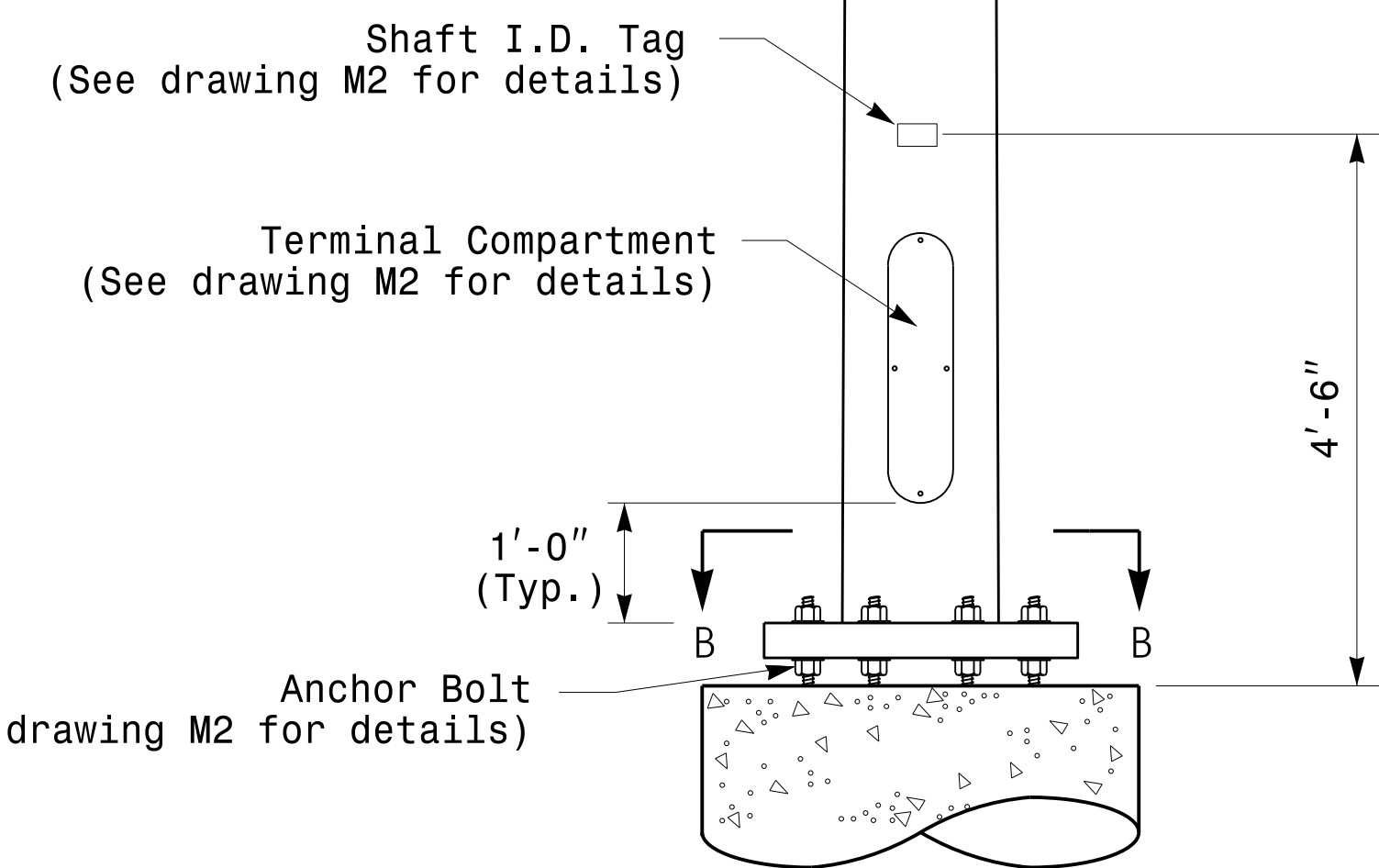


Section A-A
Radial Orientation for Factory Installed
Accessories at Top of Pole



Section C-C
(Pole Attachment to Base Plate)
Full-Penetration
Groove Weld Detail

2 Cable Clamps designed for variable attachment heights from 1'-6" to 5'-0" below the top of the pole.



Monotube Strain Pole

<p>750 N. Greenleaf Pkwy, Garner, NC 27529</p>	Typical Fabrication Details For Strain Poles		SEAL DocuSigned by Debesh C. Sarkar SIGNATURE 44E8E32E147E4C4...
	PLAN DATE: FEBRUARY 2016 PREPARED BY: N. BITTING	DESIGNED BY: K.C. DURIGON REVIEWED BY: D.C. SARKAR	
SCALE: 0 NA NONE	DATE: 2/17/2016		DATE:

Fabrication Details – Strain Poles