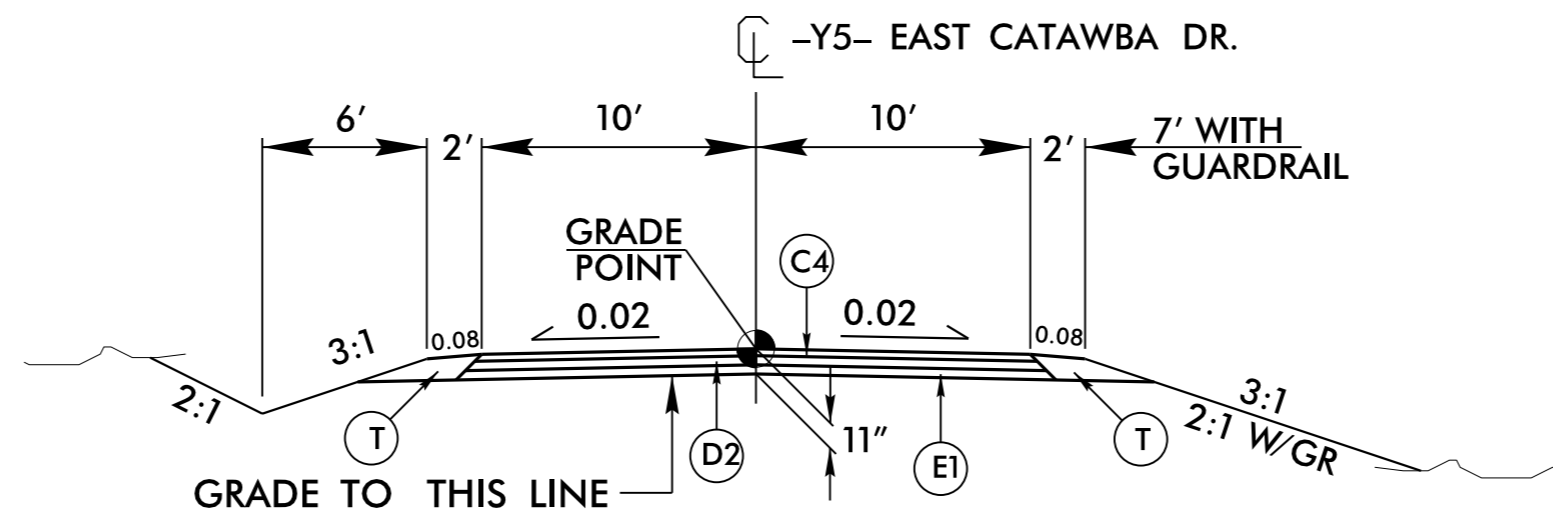
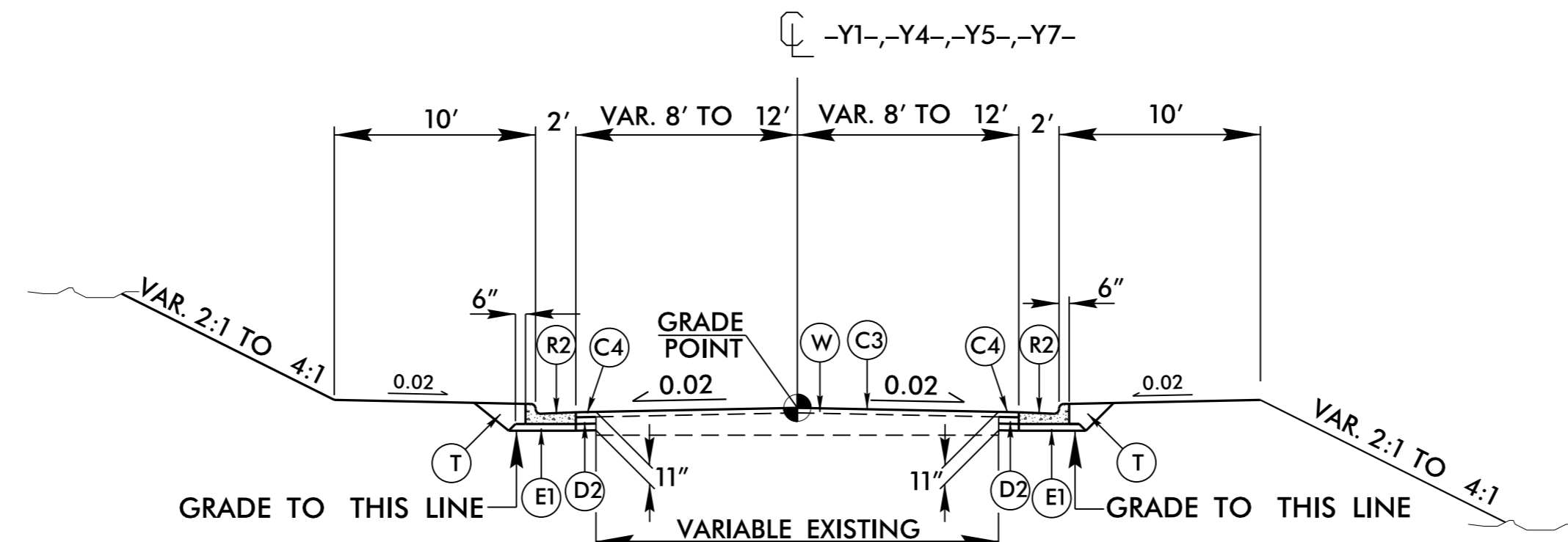


PROJECT REFERENCE NO. U-3633	SHEET NO. 2A-3
ROADWAY DESIGN ENGINEER SEAL 022007 Andrew Jason Moore	PAVEMENT DESIGN ENGINEER SEAL 022896 Clark Morrison
DocuSigned by: Andrew Jason Moore 11/14/2016	DocuSigned by: Clark Morrison 11/14/2016
DOCUMENT NOT CONSIDERED FINAL UNLESS ALL SIGNATURES COMPLETED	



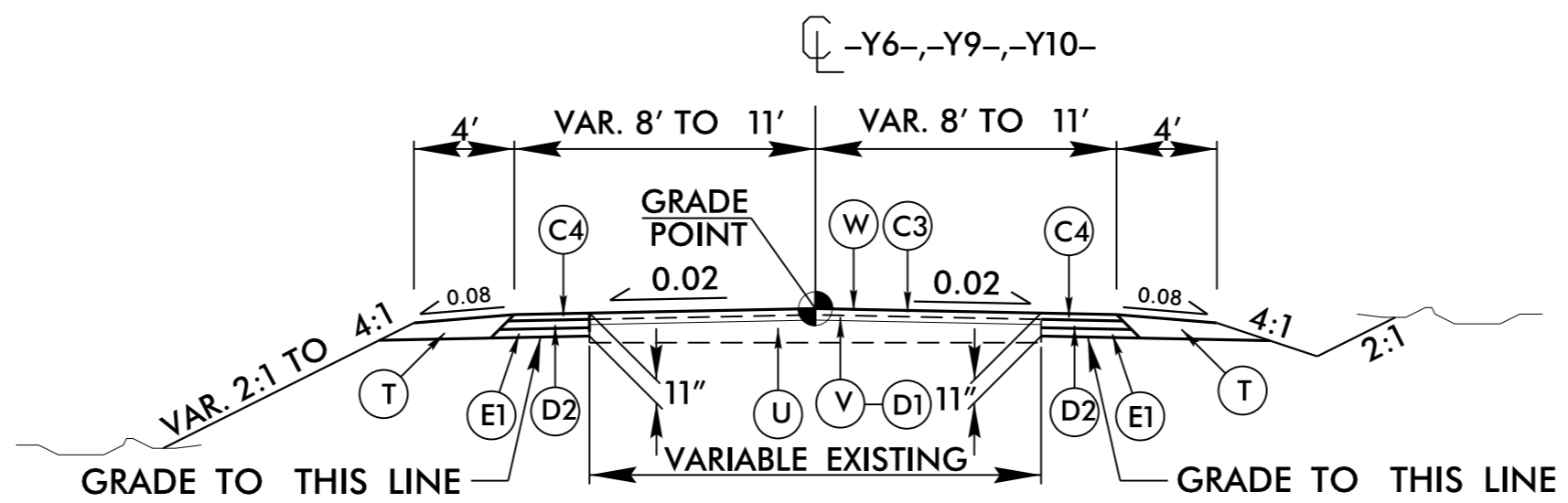
TYPICAL SECTION NO. 7

USE TYPICAL SECTION NO. 7
 -Y5- STA. 17+25.21 TO 19+50.00
 -Y5- STA. 19+50.00 TO 20+00.00 (ASPHALT OVERLAY)



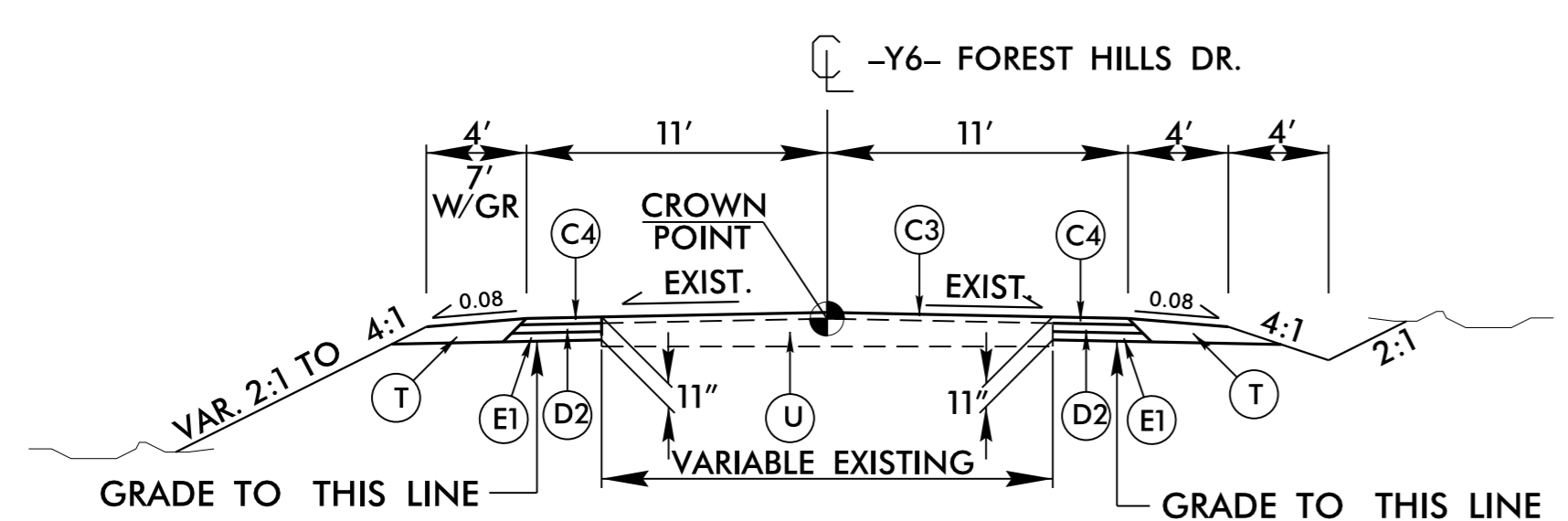
TYPICAL SECTION NO. 8

USE TYPICAL SECTION NO. 8
 -Y1- STA. 10+41.70 TO 11+00.00
 -Y4- STA. 10+39.66 TO 11+00.00
 -Y5- STA. 16+00.00 TO 16+46.16
 -Y7- STA. 17+00.00 TO 17+48.86



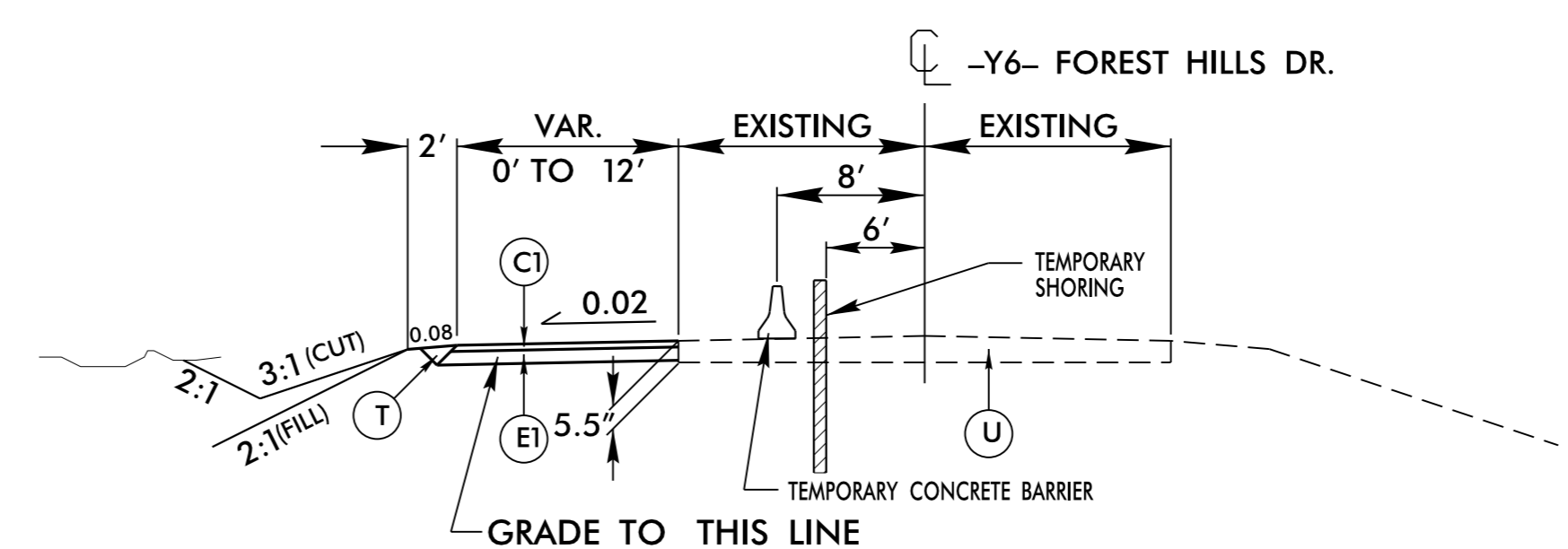
TYPICAL SECTION NO. 9

USE TYPICAL SECTION NO. 9
 -Y6- STA. 10+48.07 TO 11+50.00
 -Y9- STA. 11+66.80 TO 12+28.32
 -Y10- STA. 10+43.42 TO 11+00.00



TYPICAL SECTION NO. 10

USE TYPICAL SECTION NO. 10
 -Y6- STA. 13+00.00 TO 14+15.00



TYPICAL SECTION NO. 11

USE TYPICAL SECTION NO. 11
 -Y6- STA. 12+26.00 TO 14+89.00 (TEMPORARY PAVEMENT)
 SEE TMP PLANS FOR INSTALLATION OF 54" RCP

PAVEMENT SCHEDULE	
FINAL PAVEMENT DESIGN	
C1	1 1/2" SF9.5A
C2	3" SF9.5A
C3	1 1/2" S9.5B
C4	3" S9.5B
C5	VAR. DEPTH S9.5B
D1	2 1/2" I19.0B
D2	4" I19.0B
D3	VAR. DEPTH I19.0B
E1	4" B25.0B
E2	5" B25.0B
E3	VAR. DEPTH B25.0B
R1	1'-6" C & G
R2	2'-6" C & G
R3	5" CONC. ISLAND
S	4" CONC. SIDEWALK
T	EARTH MATERIAL
U	EXIST. PAVEMENT
V	2 1/2" MILLING
W	WEDGING