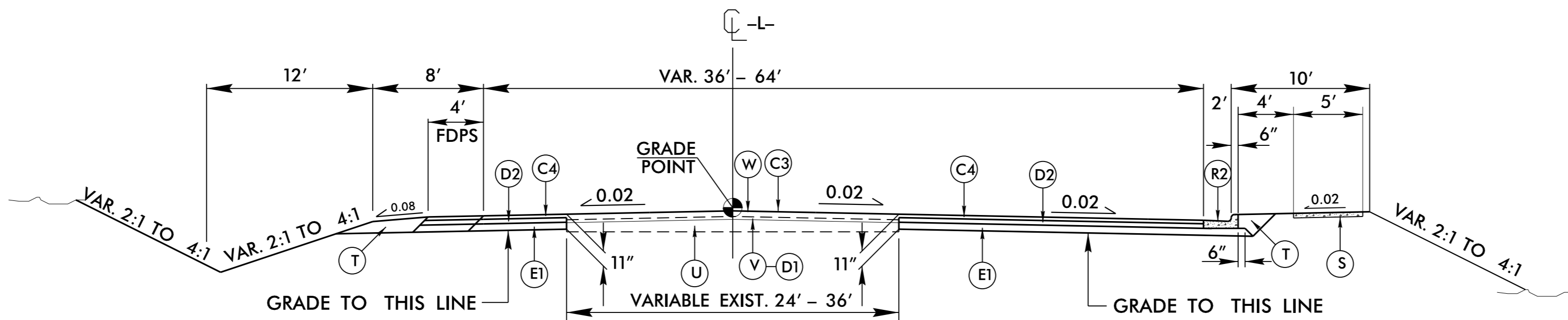
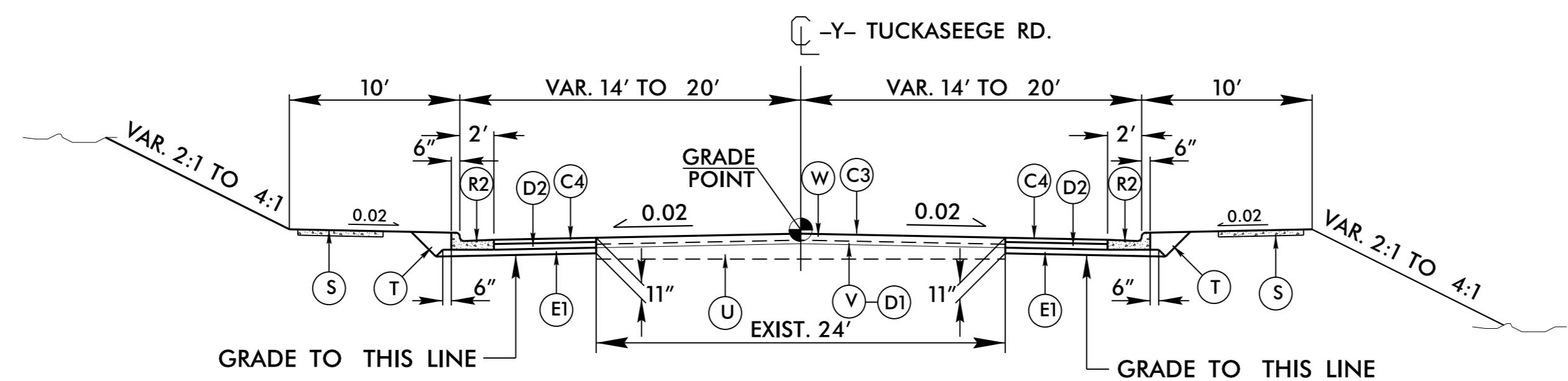


PROJECT REFERENCE NO. U-3633	SHEET NO. 2A-2
ROADWAY DESIGN ENGINEER SEAL 022007 Andrew Jason Moore	PAVEMENT DESIGN ENGINEER SEAL 022896 Clark Morrison
DocuSigned by: Andrew Jason Moore 13/2017	DocuSigned by: Clark Morrison 13/2017
DOCUMENT NOT CONSIDERED FINAL UNLESS ALL SIGNATURES COMPLETED	



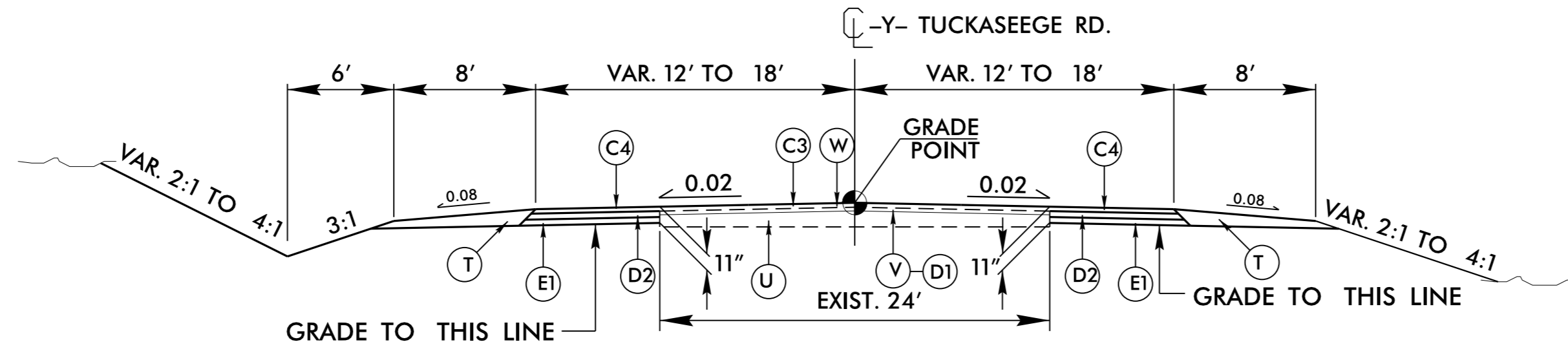
TYPICAL SECTION NO. 3

USE TYPICAL SECTION NO. 3
-L- STA 82+10.00 TO 90+00.00



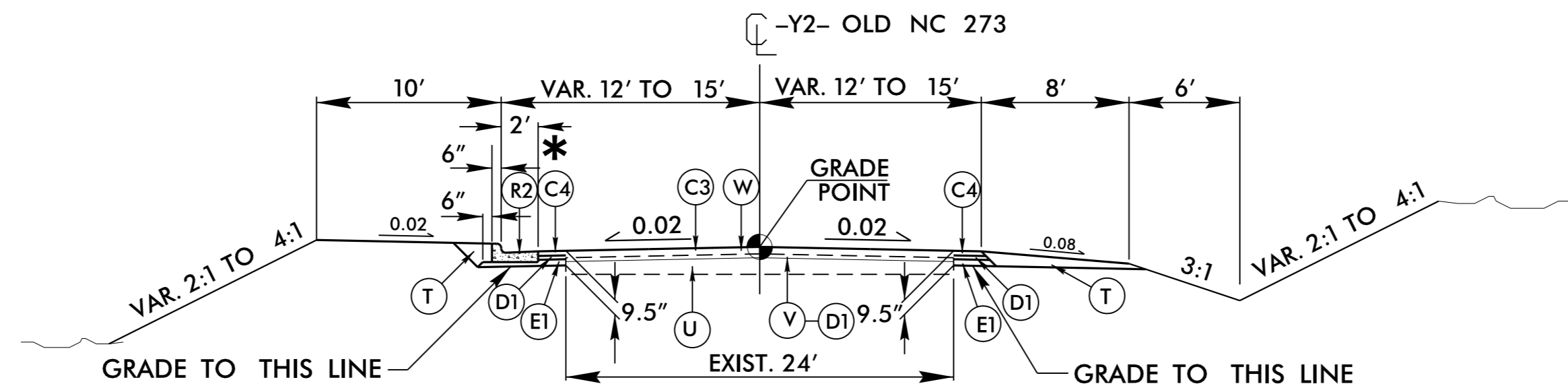
TYPICAL SECTION NO. 4

USE TYPICAL SECTION NO. 4
-Y- STA 16+00.00 TO 23+64.31
-Y- STA 24+36.65 TO 24+74.10
NOTE: -Y- STA. 15+50.00 TO 16+00.00
TO BE MILLED AND OVERLAIN WITH (C3)



TYPICAL SECTION NO. 5

USE TYPICAL SECTION NO. 5
-Y- STA. 24+74.10 TO 28+82.00



TYPICAL SECTION NO. 6

USE TYPICAL SECTION NO. 6
-Y2- STA. 10+22.61 TO 10+75.00
-Y2- STA. 18+25.00 TO 19+35.15
-Y2- STA. 10+75.00 TO 11+25.00 (ASPHALT OVERLAY)
-Y2- STA. 18+00.00 TO 18+25.00 (ASPHALT OVERLAY)

PAVEMENT SCHEDULE	
ITEM	DESCRIPTION
C1	1 1/2" SF9.5A
C2	3" SF9.5A
C3	1 1/2" S9.5B
C4	3" S9.5B
C5	VAR. DEPTH S9.5B
D1	2 1/2" I19.0B
D2	4" I19.0B
D3	VAR. DEPTH I19.0B
E1	4" B25.0B
E2	5" B25.0B
E3	VAR. DEPTH B25.0B
R1	1'-6" C & G
R2	2'-6" C & G
R3	5" CONC. ISLAND
S	4" CONC. SIDEWALK
T	EARTH MATERIAL
U	EXIST. PAVEMENT
V	2 1/2" MILLING
W	WEDGING

6/2/09
12-APR-2017 09:13
U:\3633_rdy_tjpd.dgn