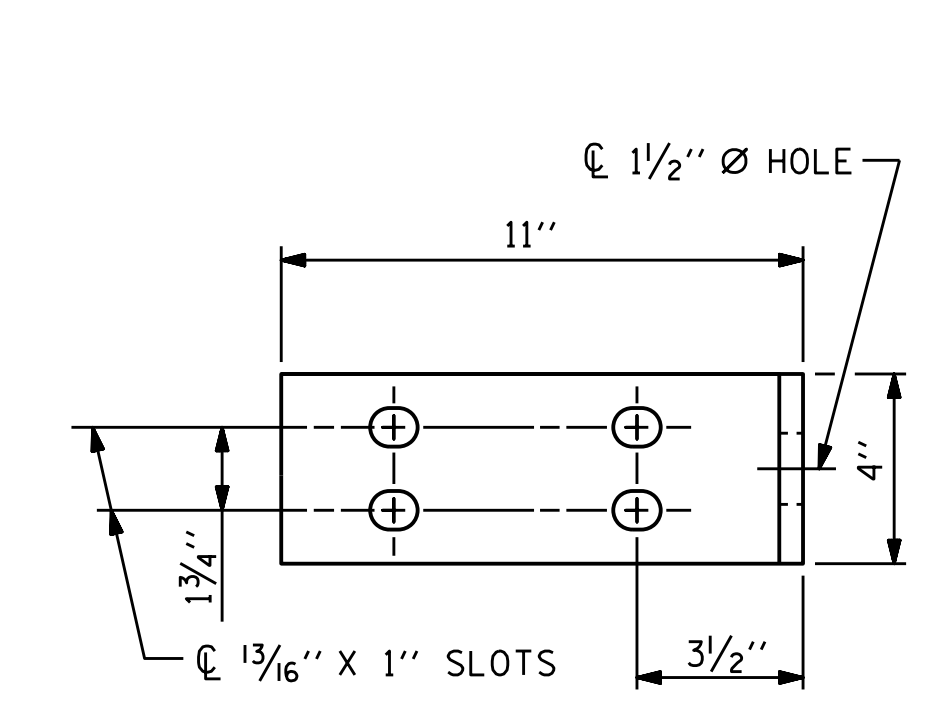
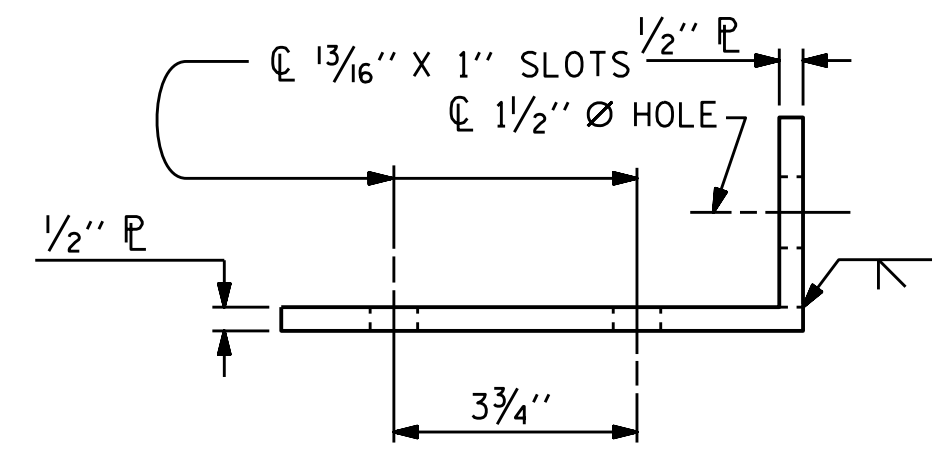


PLAN OF RAIL POST SPACINGS

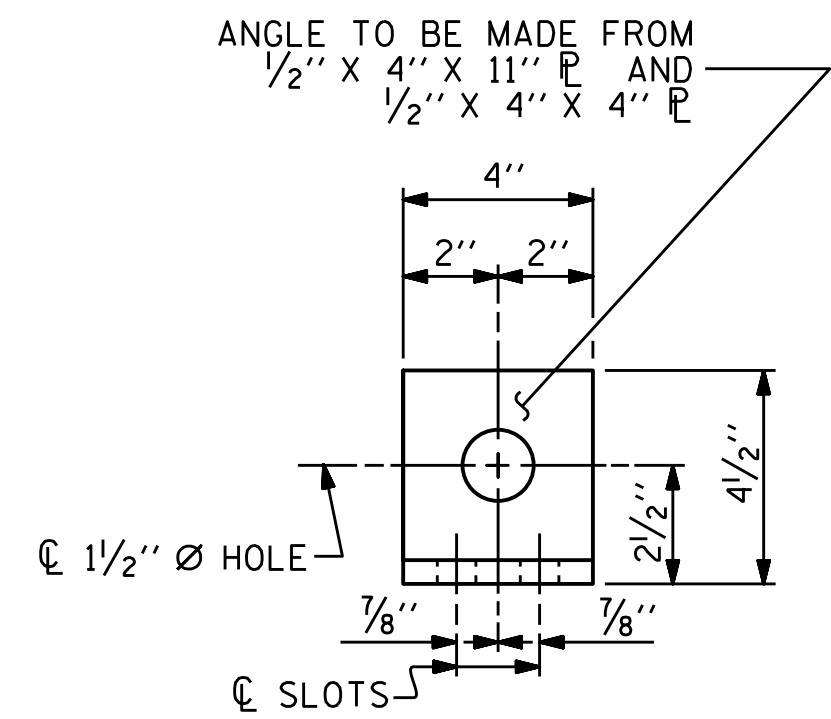
(50 POST AND ANCHOR ASSEMBLIES REQUIRED)



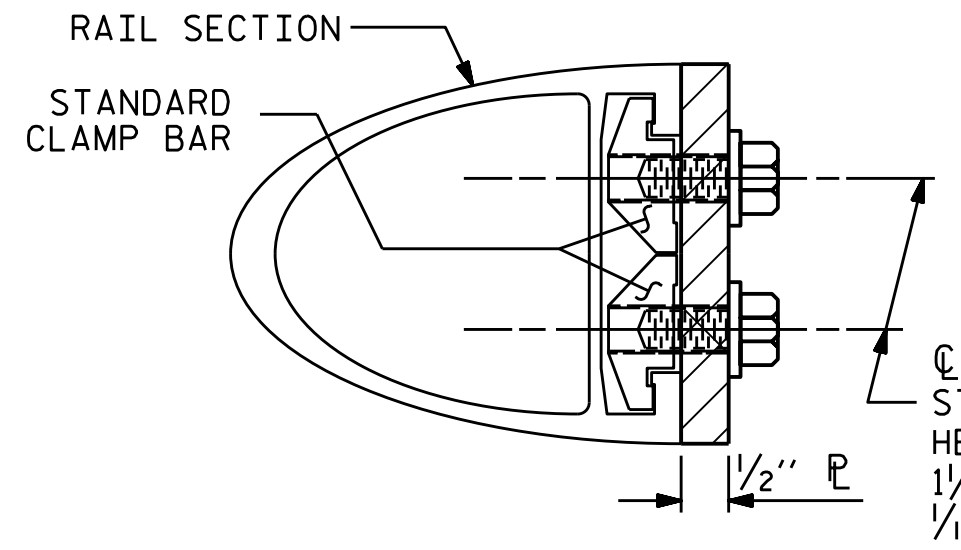
ELEVATION



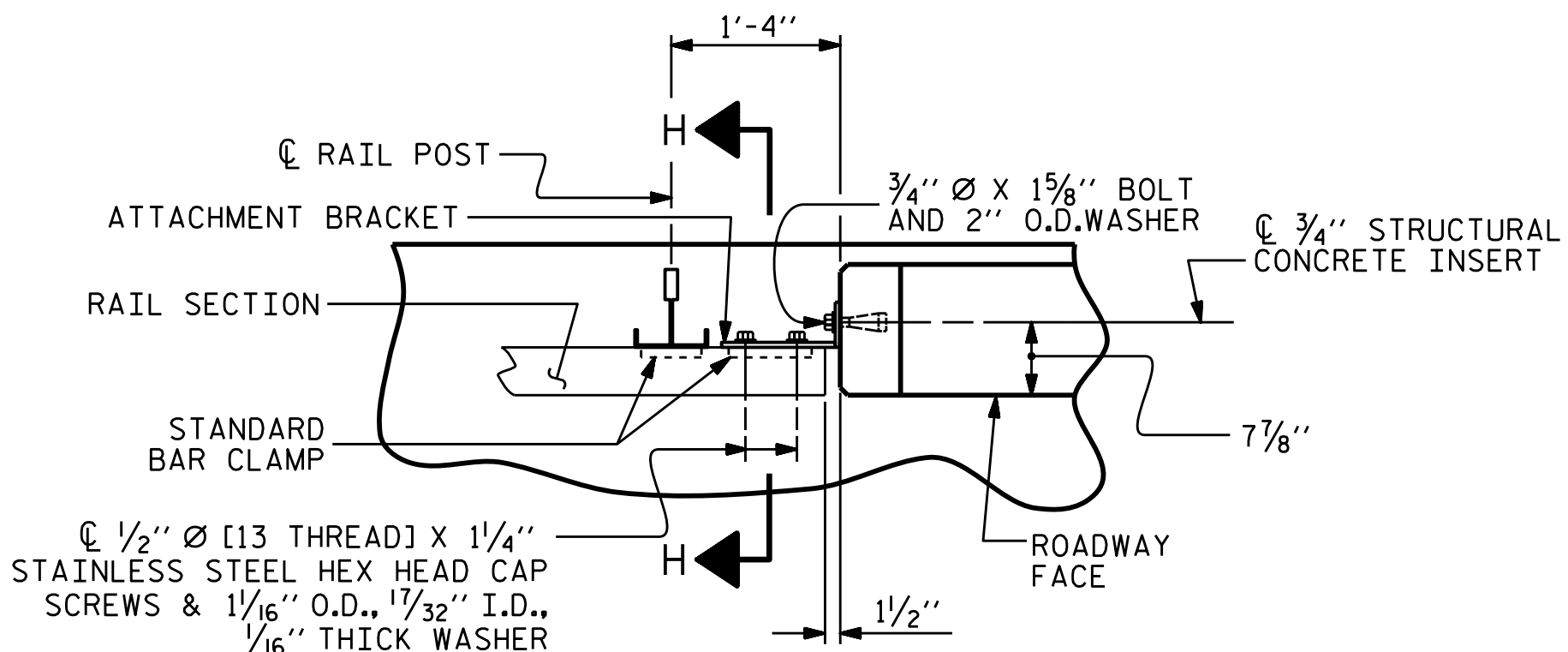
TOP VIEW



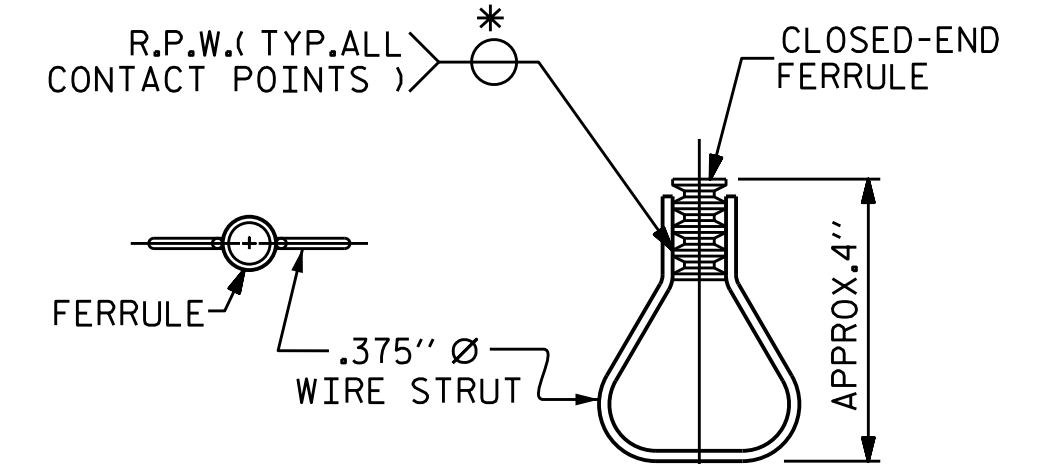
END VIEW (FIX AND EXP.)



SECTION H-H (FIX)



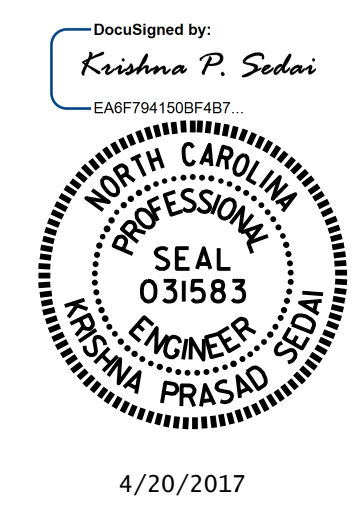
PLAN - RAIL AND END POST



**PLAN ELEVATION
STRUCTURAL CONCRETE INSERT**

* EACH WELDED ATTACHMENT OF WIRE TO FERRULE SHALL DEVELOP THE TENSILE STRENGTH OF THE WIRE.

PROJECT NO. B-5165
DAVIDSON COUNTY
 STATION: 22+12.00 -L-



STATE OF NORTH CAROLINA
 DEPARTMENT OF TRANSPORTATION
 RALEIGH
 STANDARD
 RAIL POST SPACINGS
 AND
 END OF RAIL DETAILS
 FOR TWO BAR METAL RAILS

DETAILS FOR ATTACHING METAL RAIL TO END POST

ASSEMBLED BY : K. P. SEDA	DATE : 4/26/16
CHECKED BY : M. K. BEARD	DATE : 10/19/16
DRAWN BY : FCJ 1/88	REV. 5/7/03 RWW/JTE
CHECKED BY : CRK 3/89	REV. 5/1/06 TLA/GM
	REV. 10/1/11 MAA/GM

DOCUMENT NOT CONSIDERED FINAL UNLESS ALL SIGNATURES COMPLETED

REVISIONS						SHEET NO.
NO.	BY:	DATE:	NO.	BY:	DATE:	TOTAL SHEETS
1			3			S-14
2			4			24