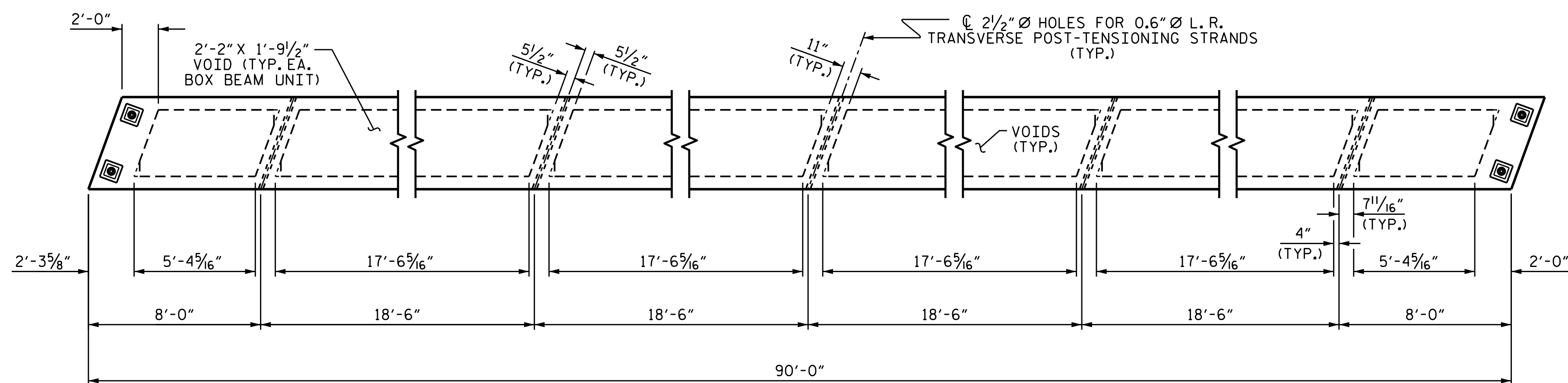
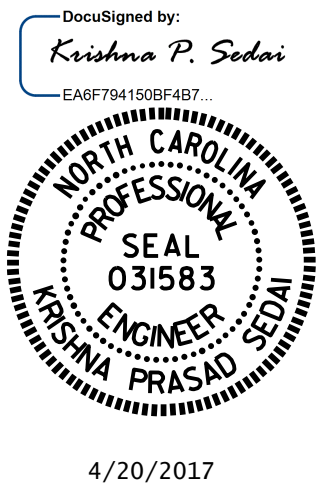


PLAN OF UNIT



DIAPHRAGM AND VOID LAYOUT

PROJECT NO. B-5165
DAVIDSON COUNTY
 STATION: 22+12.00 -L-
 SHEET 3 OF 7



STATE OF NORTH CAROLINA
 DEPARTMENT OF TRANSPORTATION
 RALEIGH
 PLAN OF 90' UNIT
 36'-6" CLEAR ROADWAY
 110° SKEW

DRAWN BY: H. B. DESAI DATE: 10/11/16
 CHECKED BY: T. L. AVERETTE DATE: 2/13/17
 DESIGN ENGINEER OF RECORD: K. P. SEDA DATE: 2/24/17

DOCUMENT NOT CONSIDERED
 FINAL UNLESS ALL
 SIGNATURES COMPLETED

REVISIONS						SHEET NO.
NO.	BY:	DATE:	NO.	BY:	DATE:	S-7
1			3			TOTAL SHEETS
2			4			24

20-APR-2017 12:03
 P:\Structures\Final Plans\B-5165.SMU.PS.dgn
 kpschd