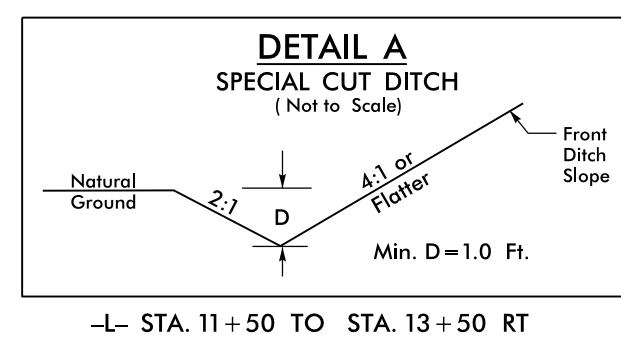
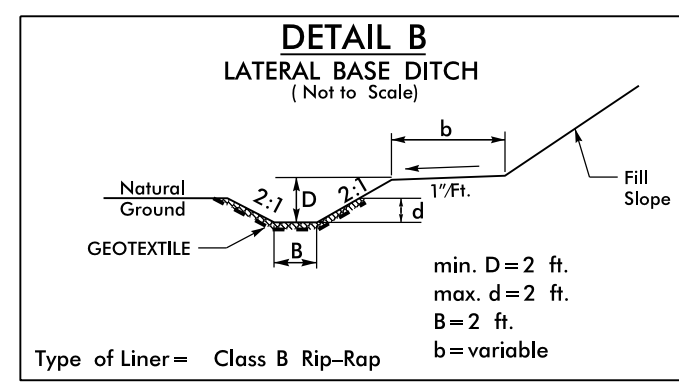


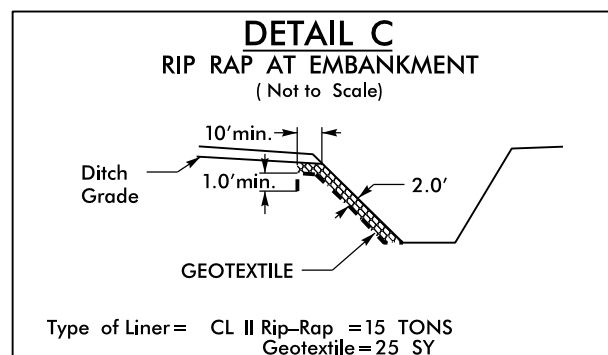
PROJECT REFERENCE NO.	SHEET NO.
B-5165	EC-7/CONST.5
RW SHEET NO.	5
ROADWAY DESIGN ENGINEER	HYDRAULICS ENGINEER



-L- STA. 11+50 TO STA. 13+50 RT

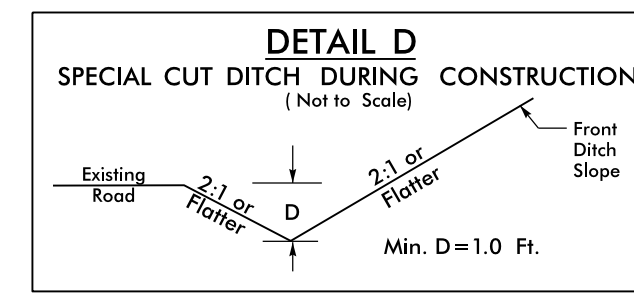


-DR1- STA. 10+70 LT TO -L- STA. 24+00 LT
DDE=15 CY, CLASS B RIP-RAP=20 TONS, GEOTEXTILE=50 SY

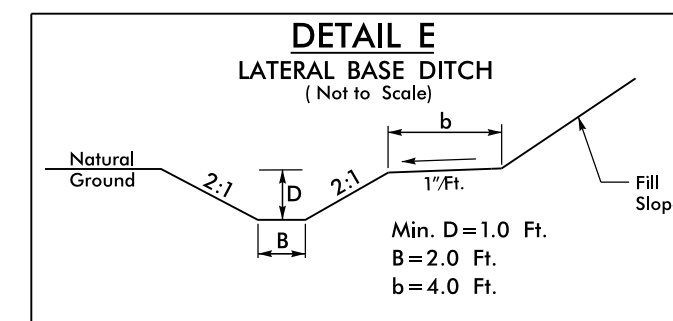


-L- STA. 21+15 RT

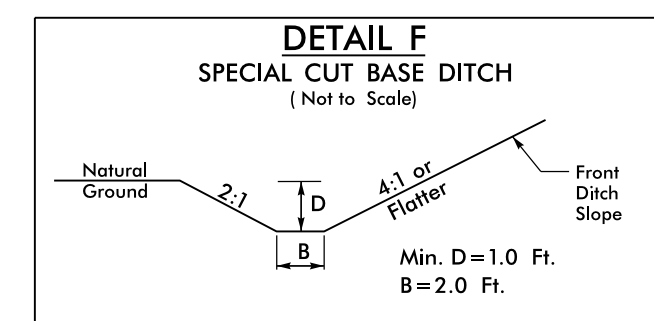
NOTE: UTILIZE TEMPORARY SEDIMENT BASIN OR SPECIAL STILLING BASIN(S) AS STILLING BASIN WHERE APPLICABLE.



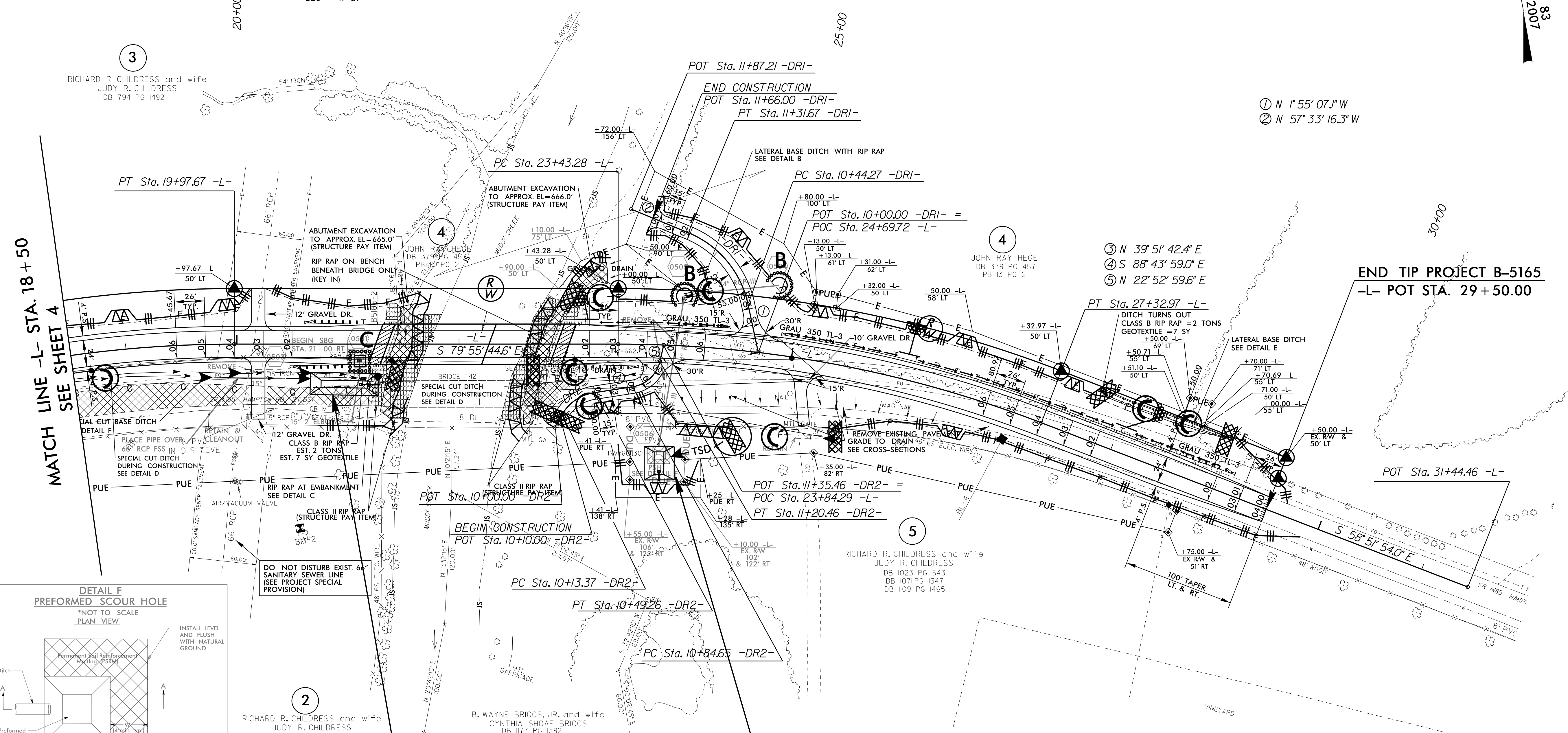
-L- STA. 17+00 TO STA. 21+00 RT
-L- STA. 23+50 TO STA. 24+00 RT



-L- STA. 27+75 TO STA. 29+00 LT
DDE = 17 CY



-L- STA. 17+50 TO STA. 21+00 RT



3
RICHARD R. CHILDRESS and wife
JUDY R. CHILDRESS
DB 794 PG 1492

4
JOHN RAY HEGE
DB 379 PG 457
PB 13 PG 2

4
JOHN RAY HEGE
DB 379 PG 457
PB 13 PG 2

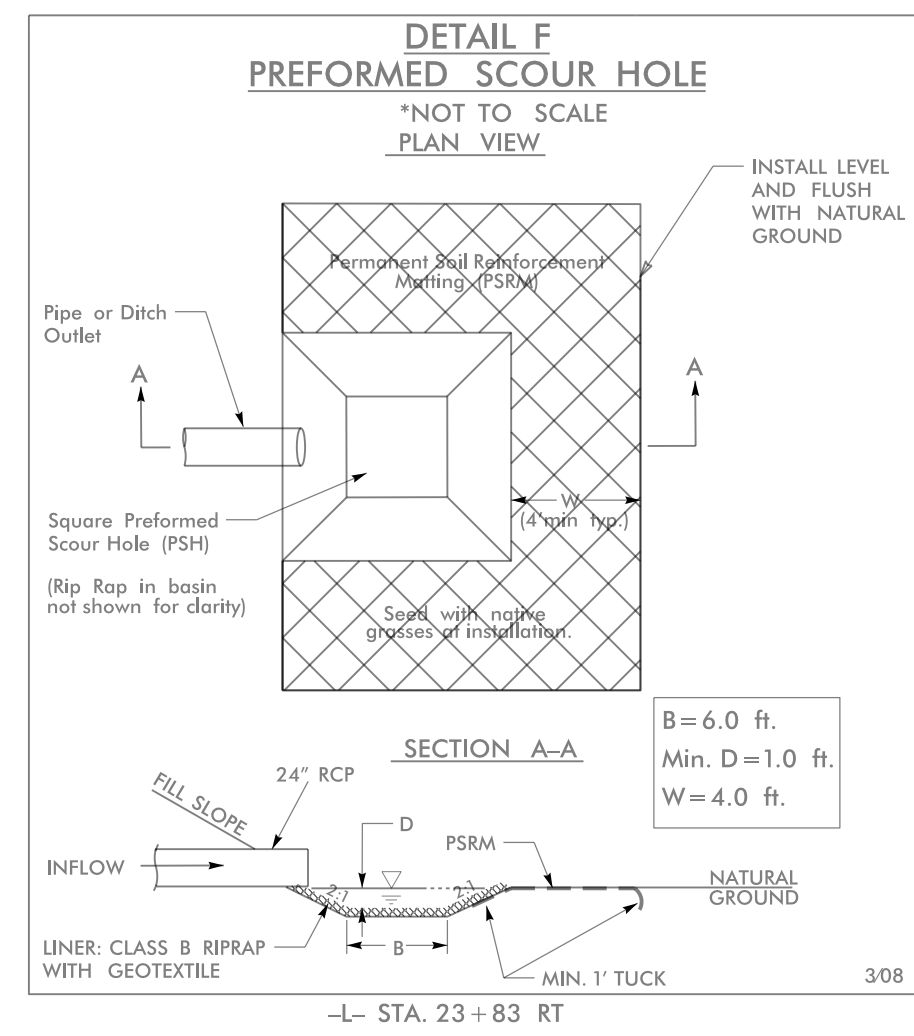
- ③ N 39° 51' 42.4" E
- ④ S 88° 43' 59.0" E
- ⑤ N 22° 52' 59.6" E

END TIP PROJECT B-5165
-L- POT STA. 29+50.00

2
RICHARD R. CHILDRESS and wife
JUDY R. CHILDRESS
DB 682 PG 1
PB 20 PG 20

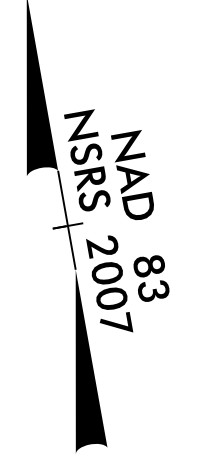
B. WAYNE BRIGGS, JR. and wife
CYNTHIA SHOAF BRIGGS
DB 1177 PG 1392

5
RICHARD R. CHILDRESS and wife
JUDY R. CHILDRESS
DB 1023 PG 543
DB 1071 PG 1347
DB 1109 PG 1465



61 x 20 x 3
1.5 inch Skimmer
with 1.0 inch
Orifice Diameter
5 ft. weir
ID 5.1

27 x 30 x 3
1.5 inch Skimmer
with 0.75 inch
Orifice Diameter
4 ft. weir
ID 5.2



8/17/99
03-FEB-2017 09:28
C:\Users\jrm\Documents\B5165-EC-psh-5.dgn
JRM
2/6/2017