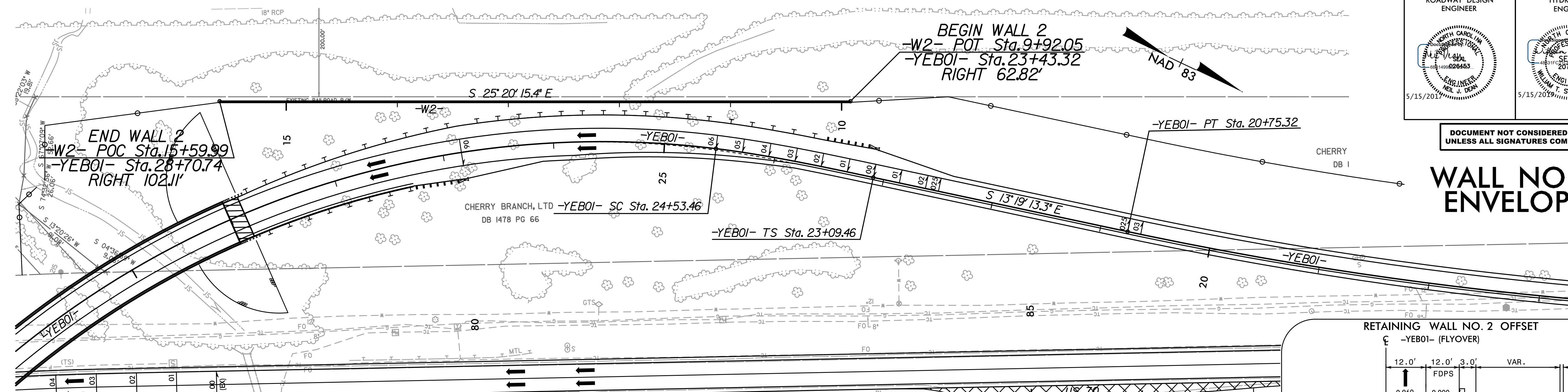


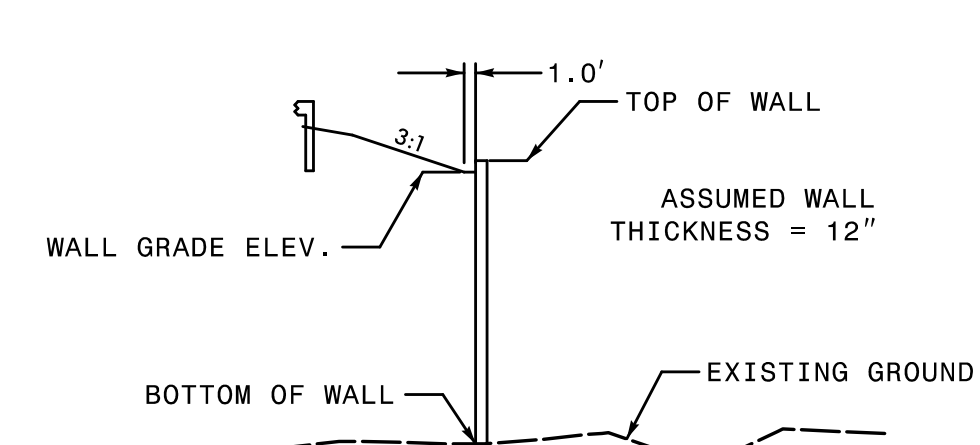
PROJECT REFERENCE NO. R-5516	SHEET NO. W2
RW SHEET NO.	
ROADWAY DESIGN ENGINEER	HYDRAULICS ENGINEER

DOCUMENT NOT CONSIDERED FINAL  
UNLESS ALL SIGNATURES COMPLETED

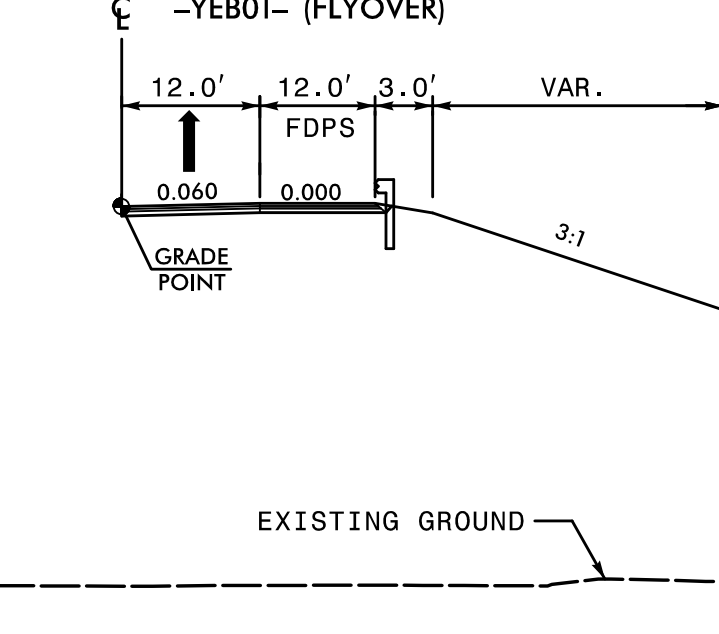
# WALL NO. 2 ENVELOPE



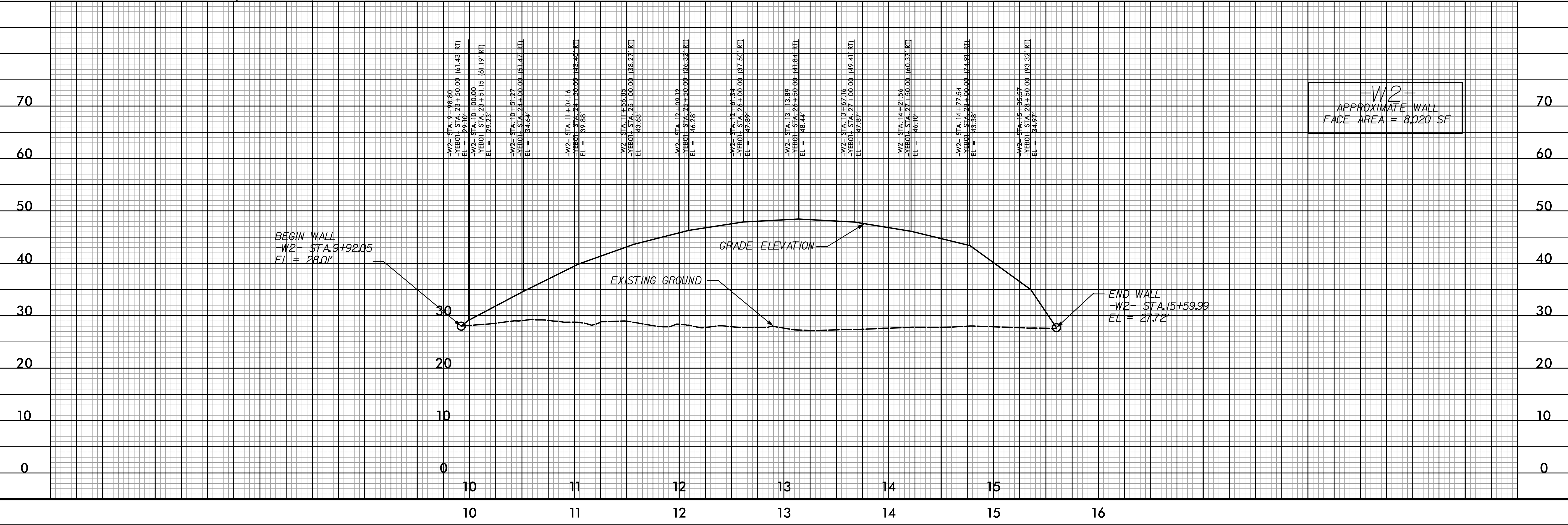
TYPICAL RETAINING WALL SECTION



RETAINING WALL NO. 2 OFFSET



USE DETAIL AS FOLLOWS  
-YEBOI- STA. 23+50.96 TO -YEBOI- STA. 29+00.00 RT



REVISIONS

10:52:20 AM  
C:\Users\N\OneDrive\Projects\R-5516\rdy\_psh\_w2.dgn