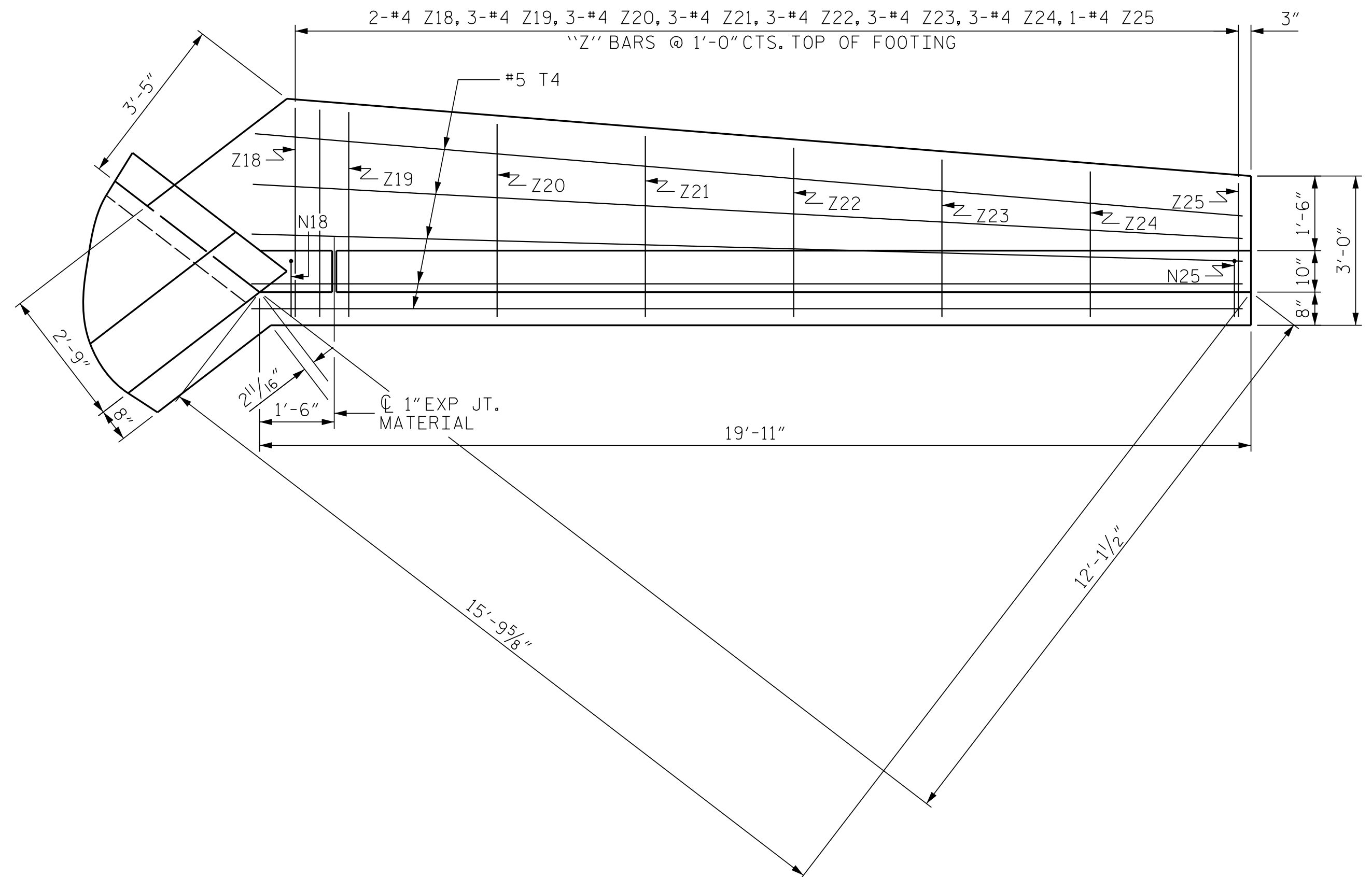
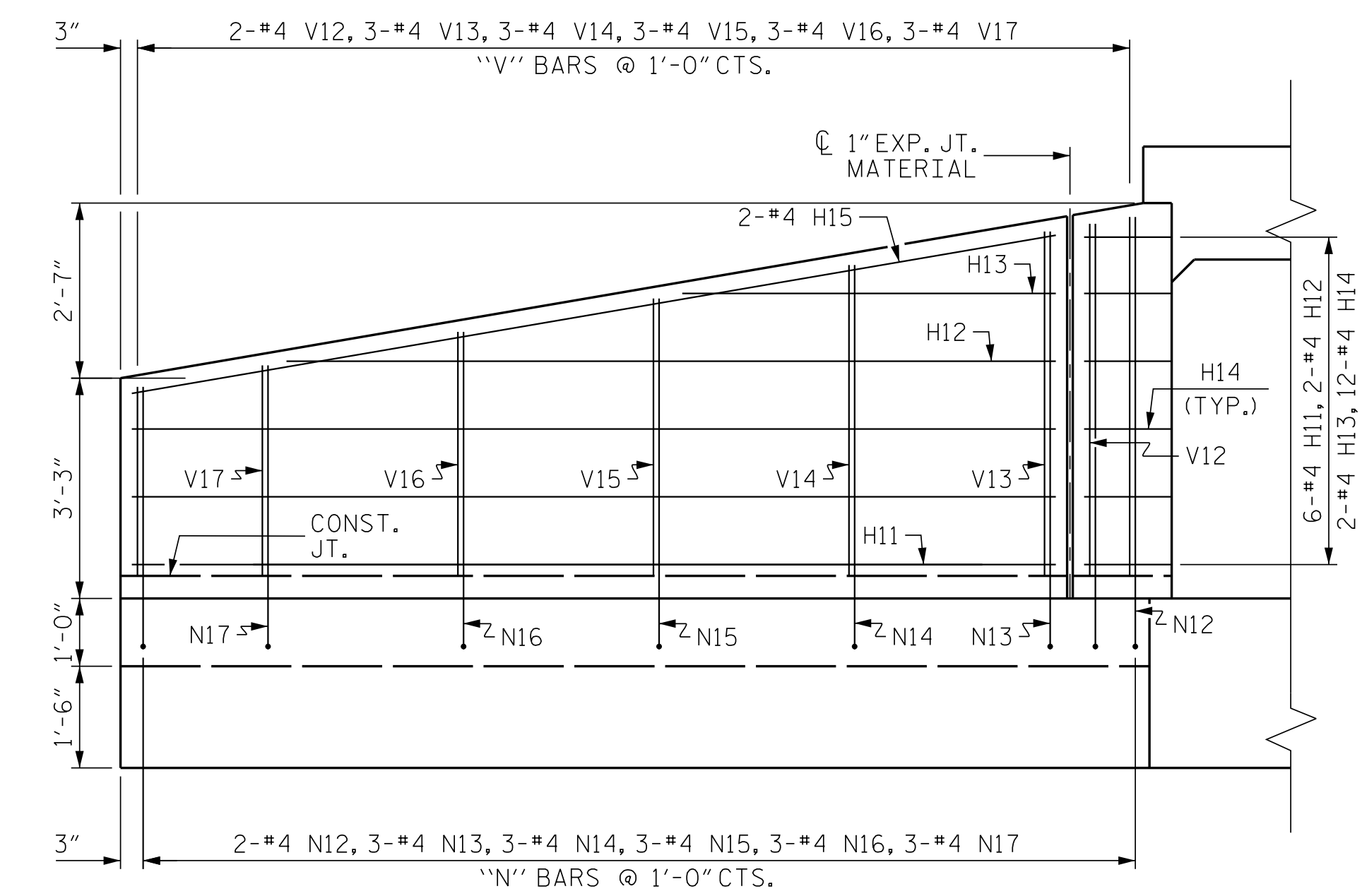


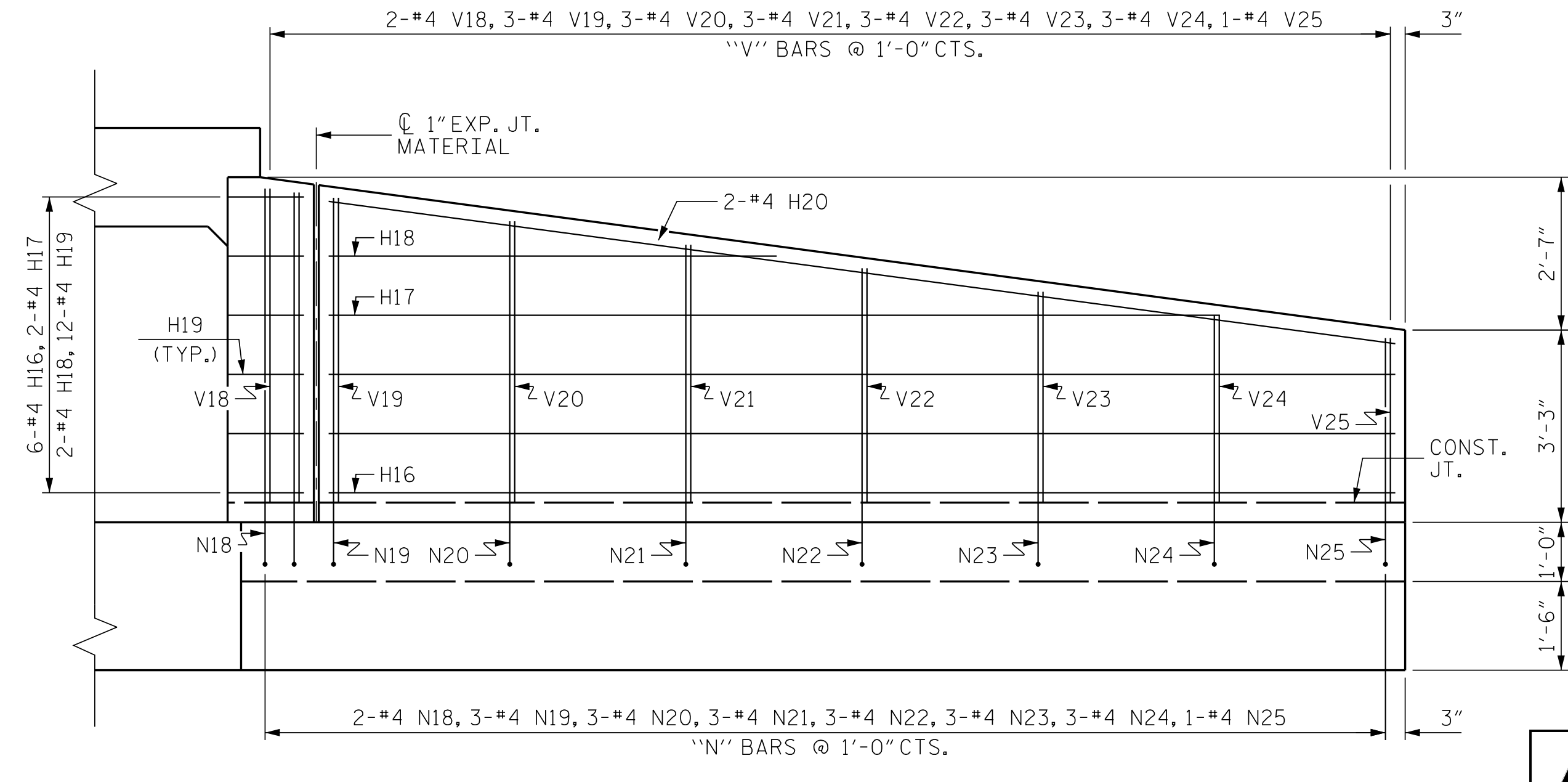
PLAN W3



PLAN W4



ELEVATION W3



ELEVATION W4

PROJECT NO. R-5516  
 CRAVEN COUNTY  
 STATION: 78+08.84 -L-  
 SHEET 6 OF 7

DRAWN BY : NKB DATE : 03/16  
 CHECKED BY : JCM DATE : 03/16  
 DESIGN E.O.R. : JCM DATE : 05/16

DOCUMENT NOT CONSIDERED  
 FINAL UNLESS ALL  
 SIGNATURES COMPLETED

**AECOM**  
 AECOM TECHNICAL SERVICES, INC.  
 701 CORPORATE CENTER DRIVE, SUITE 475  
 RALEIGH, NC 27607  
 (919) 854-6200 www.aecom.com  
 AECOM License No. F-0342

4/12/2017  
 NORTH CAROLINA  
 PROFESSIONAL  
 SEAL  
 030474  
 ENGINEER  
 JOHN C. MORRISON  
 John C. Morrison  
 A37DE142C82F4A8

STATE OF NORTH CAROLINA DEPARTMENT OF TRANSPORTATION RALEIGH					
WINGS FOR CONCRETE BOX CULVERT					
H = 5'-0" SLOPE = 4:1 75° SKEW					
REVISIONS					
NO.	BY:	DATE:	NO.	BY:	DATE:
1			3		
2			4		
					SHEET NO. C1-6
					TOTAL SHEETS 7

DATE: 4/12/2017  
 TIME: 2:35:07 PM  
 USER: jcm1503  
 DN: #6032444, Sncdm, RoadM00\_Technical\W08\_Structure\Culverts\41\_030\_01-6\_R5516\_SML\_WING.dgn