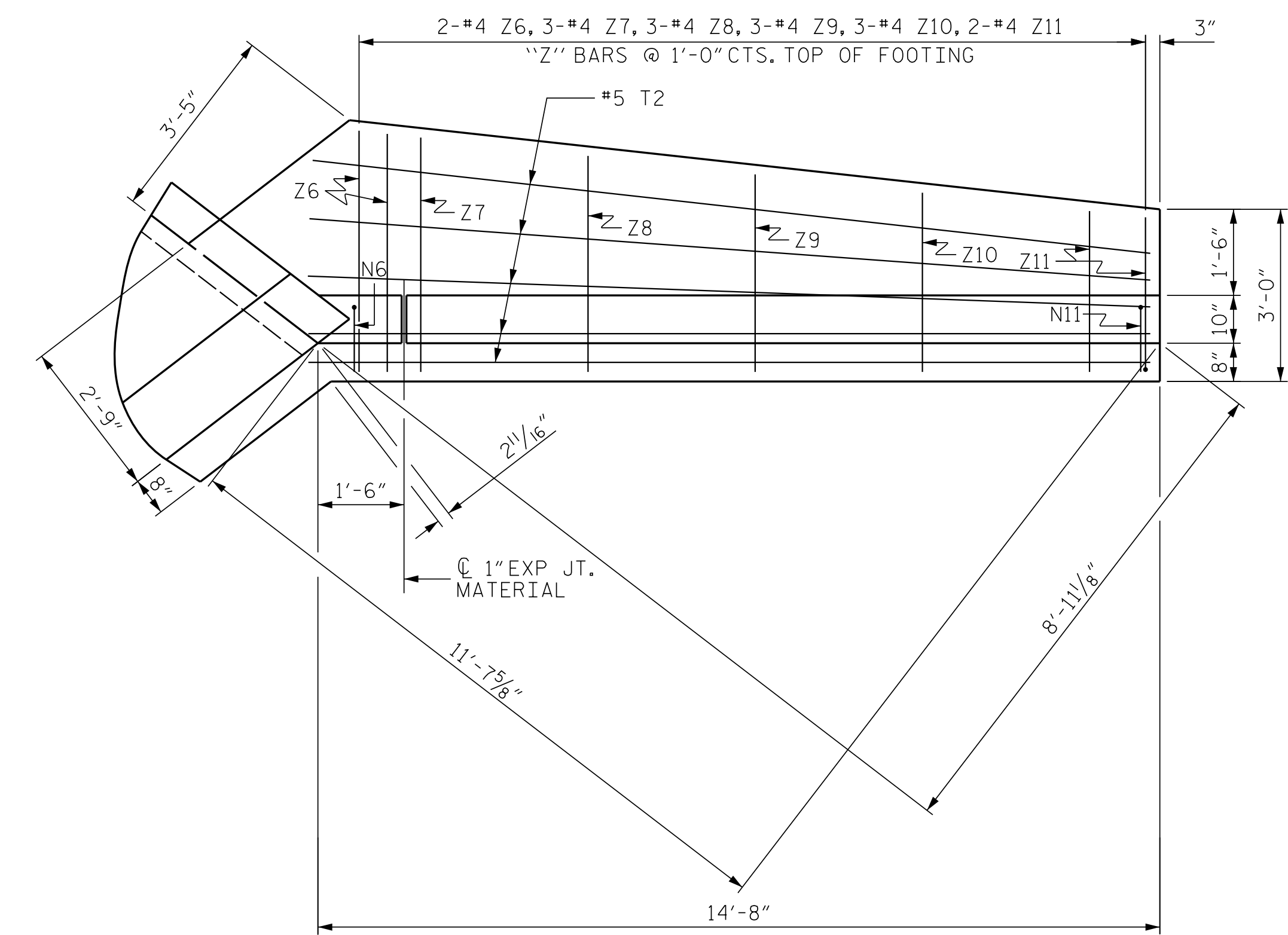
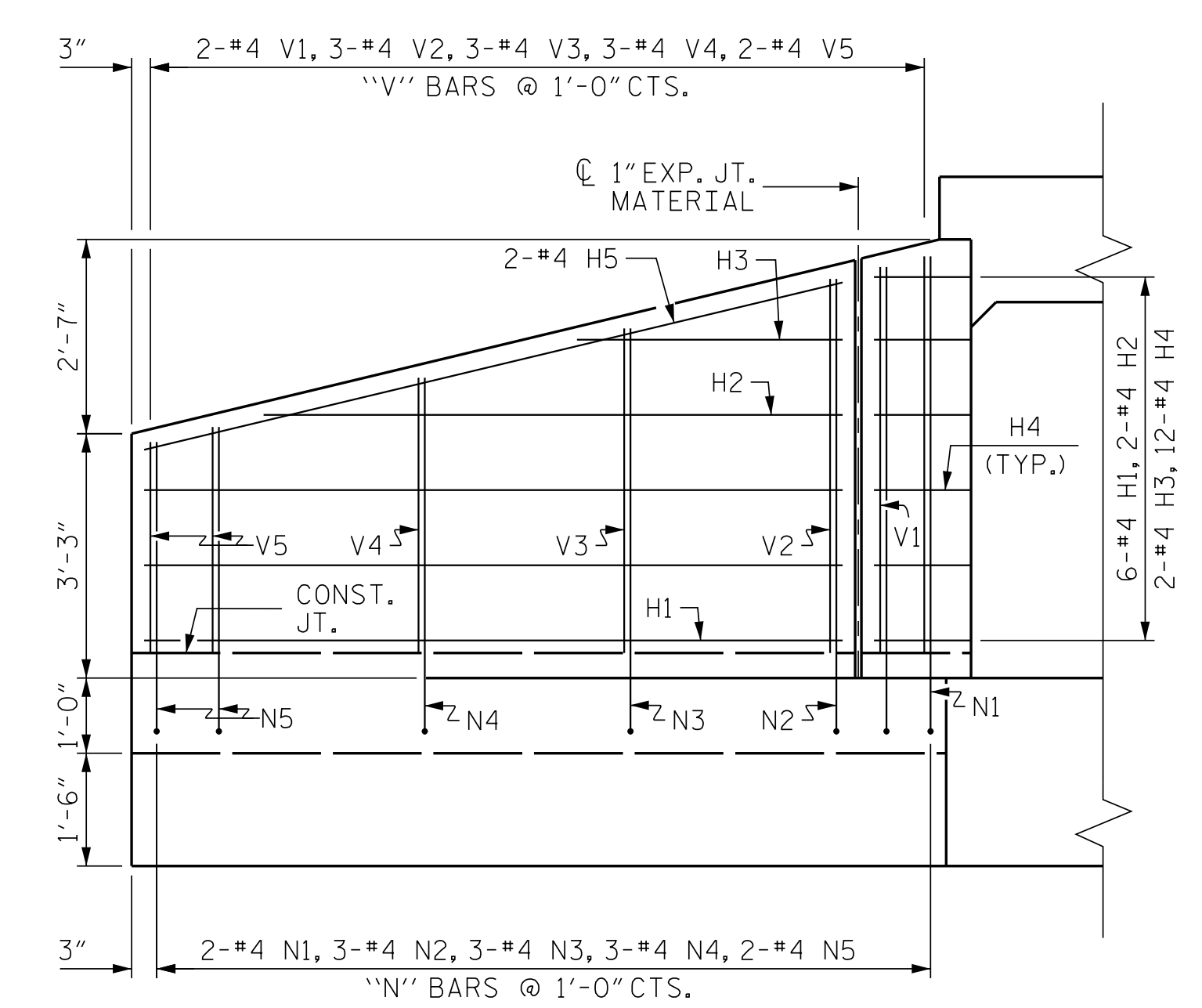


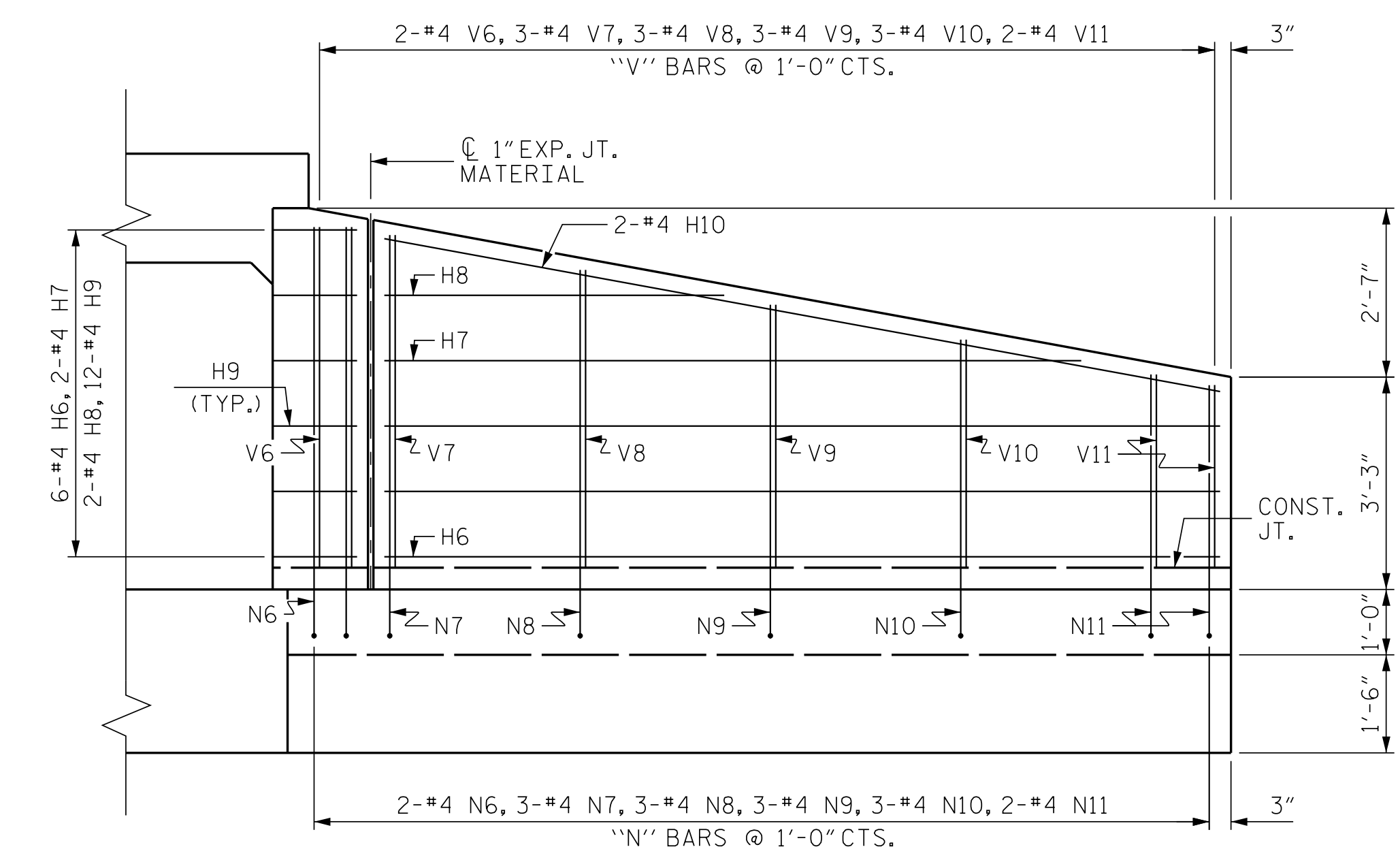
PLAN W2



PLAN W1



ELEVATION W2



ELEVATION W1

PROJECT NO. R-5516
 CRAVEN COUNTY
 STATION: 78+08.84 -L-
 SHEET 5 OF 7

AECOM
AECOM TECHNICAL SERVICES, INC.
 701 CORPORATE CENTER DRIVE, SUITE 475
 RALEIGH, NC 27607
 (919) 854-6200 www.aecom.com
 AECOM License No. F-6342

4/12/2017

JOHN C. MORRISON
 NORTH CAROLINA PROFESSIONAL ENGINEER
 SEAL 030474

John C. Morrison
DocuSign Envelope ID: A2FDE142C82F4A8

STATE OF NORTH CAROLINA
 DEPARTMENT OF TRANSPORTATION
 RALEIGH

WINGS FOR
 CONCRETE BOX CULVERT
 H = 5'-0" SLOPE = 3:1
 75° SKEW

REVISIONS						SHEET NO.
NO.	BY:	DATE:	NO.	BY:	DATE:	C1-5
1			3			TOTAL SHEETS
2			4			7

DRAWN BY : NKB DATE : 03/16
 CHECKED BY : JCM DATE : 03/16
 DESIGN E.O.R. : JCM DATE : 05/16

DOCUMENT NOT CONSIDERED
 FINAL UNLESS ALL
 SIGNATURES COMPLETED

DATE: 4/12/2017 TIME: 2:34:33 PM
 USER: jcm16030474 DocuSign Envelope ID: A2FDE142C82F4A8
 FILE: R:\60324454_Sigcom_Road\MOI_Technical\W08_Structure\Cada\Culverts\H1_L025_C1-5_R0516_SML_WING.dgn