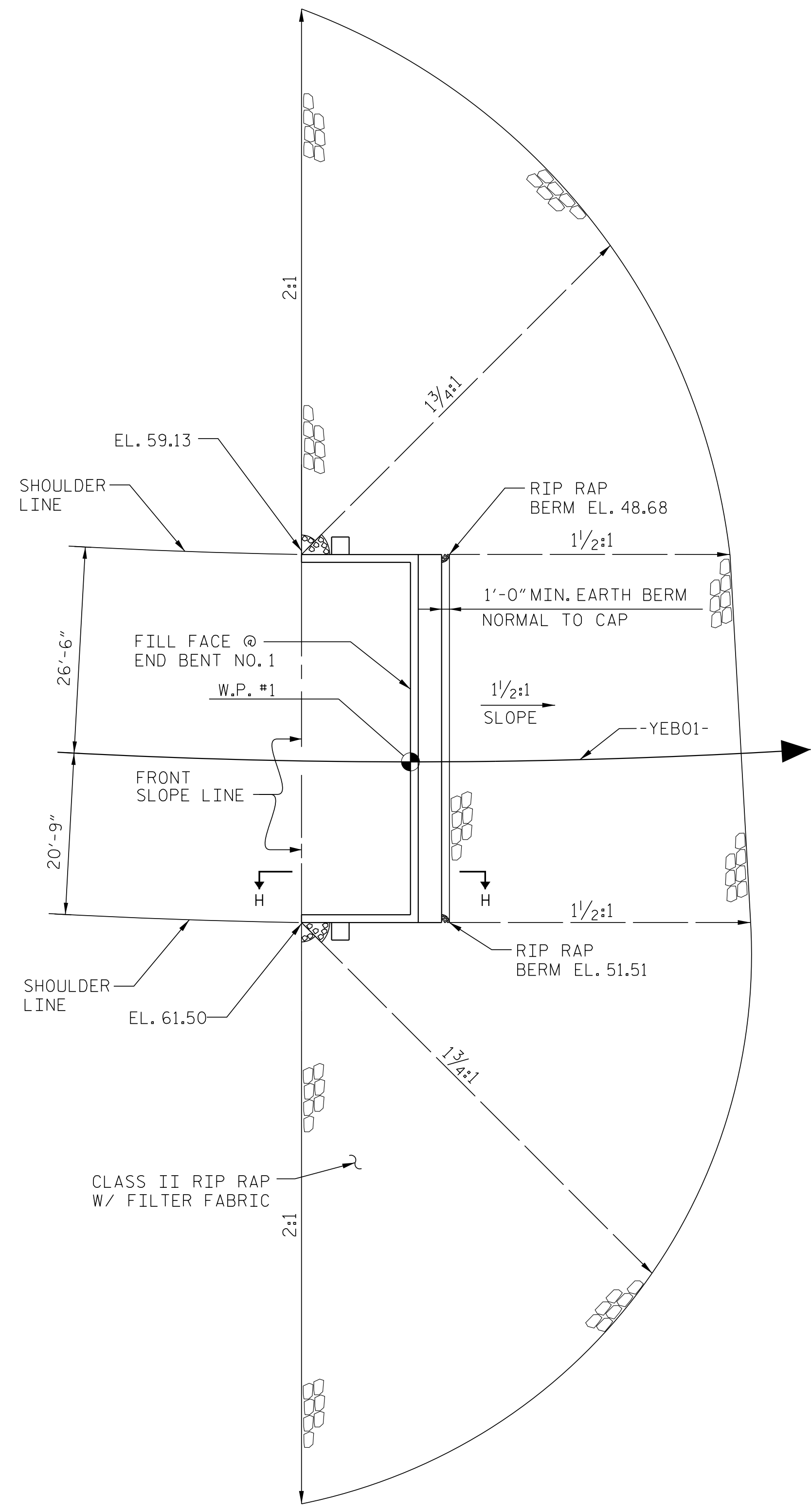
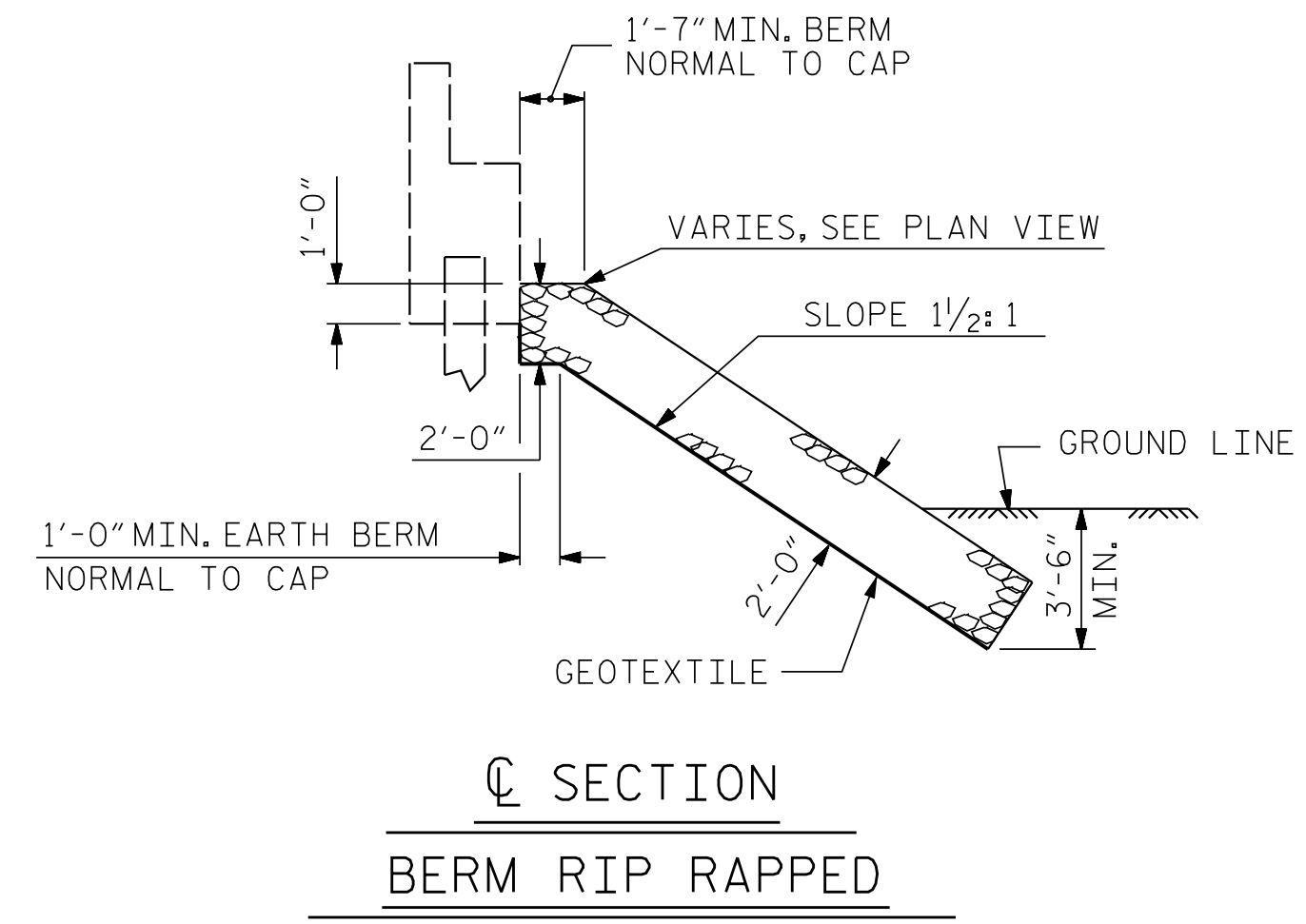


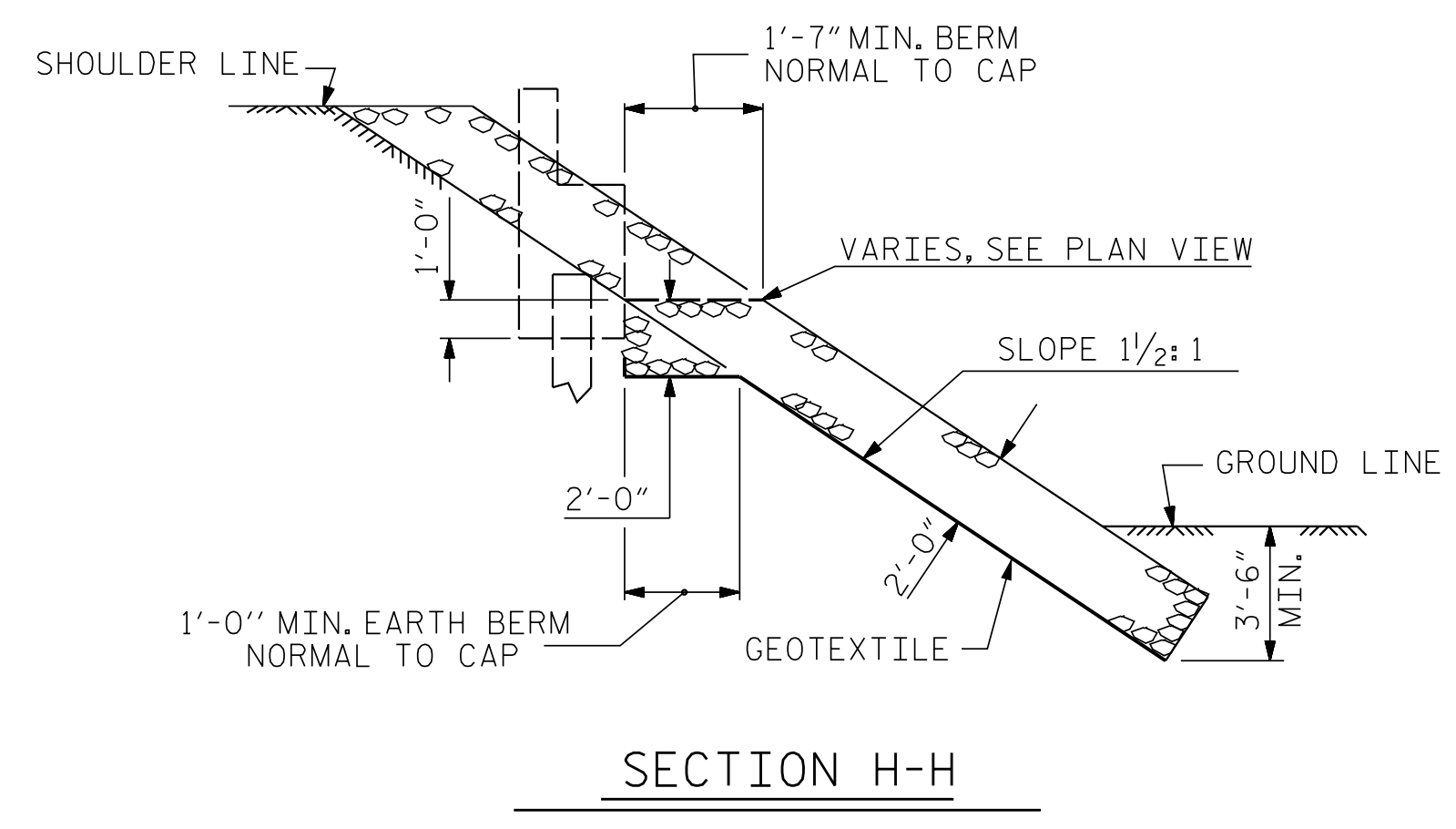
DATE: 4/12/2017 TIME: 5:28:56 PM
 USER: R66329454_Sincum Road\400_Technical\408_Structure\Code\401_235_S47_R5516_SMU_RR01.dgn



PLAN @ END BENT 1



SECTION C-C
BERM RIP RAPPED



SECTION H-H

ESTIMATED QUANTITIES		
BRIDGE @ STA. 35+25.84 -YEB01-	RIP RAP CLASS II (2'-0" THICK)	GEOTEXTILE FOR DRAINAGE
	TONS	SQUARE YARDS
END BENT 1	923	1025

PROJECT NO. R-5516
CRAVEN COUNTY
 STATION: 32+25.84 -YEB01-
75+13.29 -L-

ASSEMBLED BY : NKB	DATE : 03/16
CHECKED BY : JCM	DATE : 03/16
DRAWN BY : REK 1/84	REV. 5/1/06R TLA/GM
CHECKED BY : RDU 1/84	REV. 10/1/11 MAA/GM
	REV. 12/21/11 MAA/GM

DOCUMENT NOT CONSIDERED FINAL UNLESS ALL SIGNATURES COMPLETED

AECOM
 AECOM TECHNICAL SERVICES, INC.
 701 CORPORATE CENTER DRIVE, SUITE 475
 RALEIGH, NC 27607
 (919) 854-4200 www.aecom.com
 AECOM License No. F-0342

4/12/2017

PROFESSIONAL SEAL
 JOHN C. MORRISON
 ENGINEER
 SEAL 030474

DocuSigned by:
 John C. Morrison
 A32DE142C82F4AB

STATE OF NORTH CAROLINA DEPARTMENT OF TRANSPORTATION RALEIGH					
STANDARD RIP RAP DETAILS					
REVISIONS					
NO.	BY:	DATE:	NO.	BY:	DATE:
1			3		
2			4		
SHEET NO. S-47					TOTAL SHEETS 51