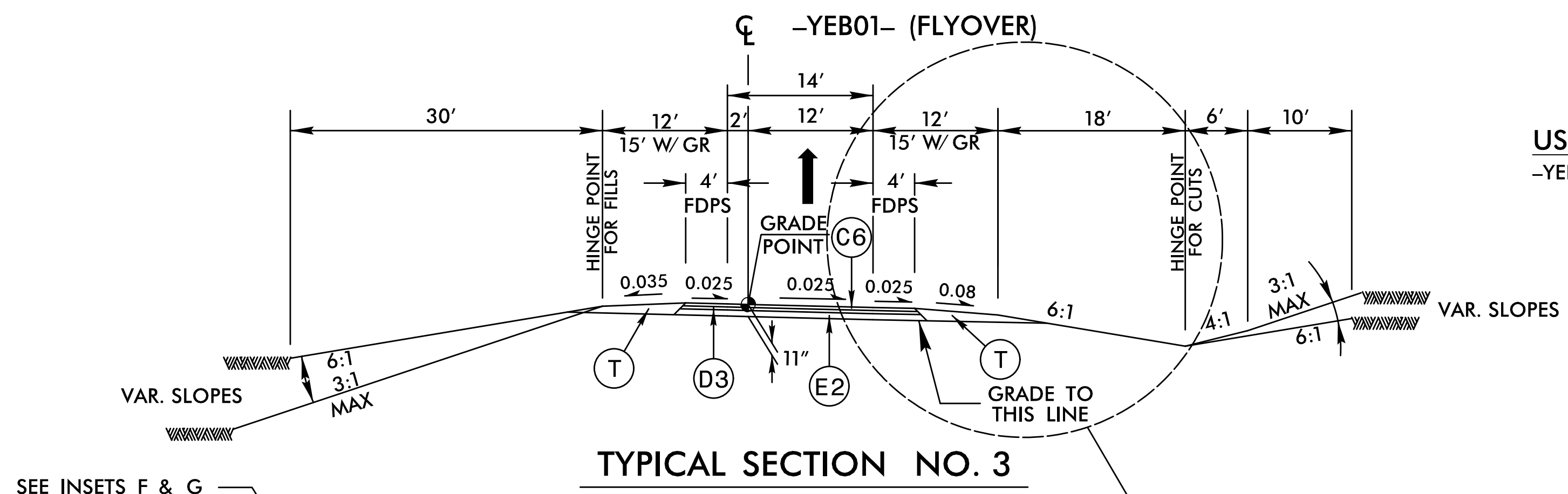


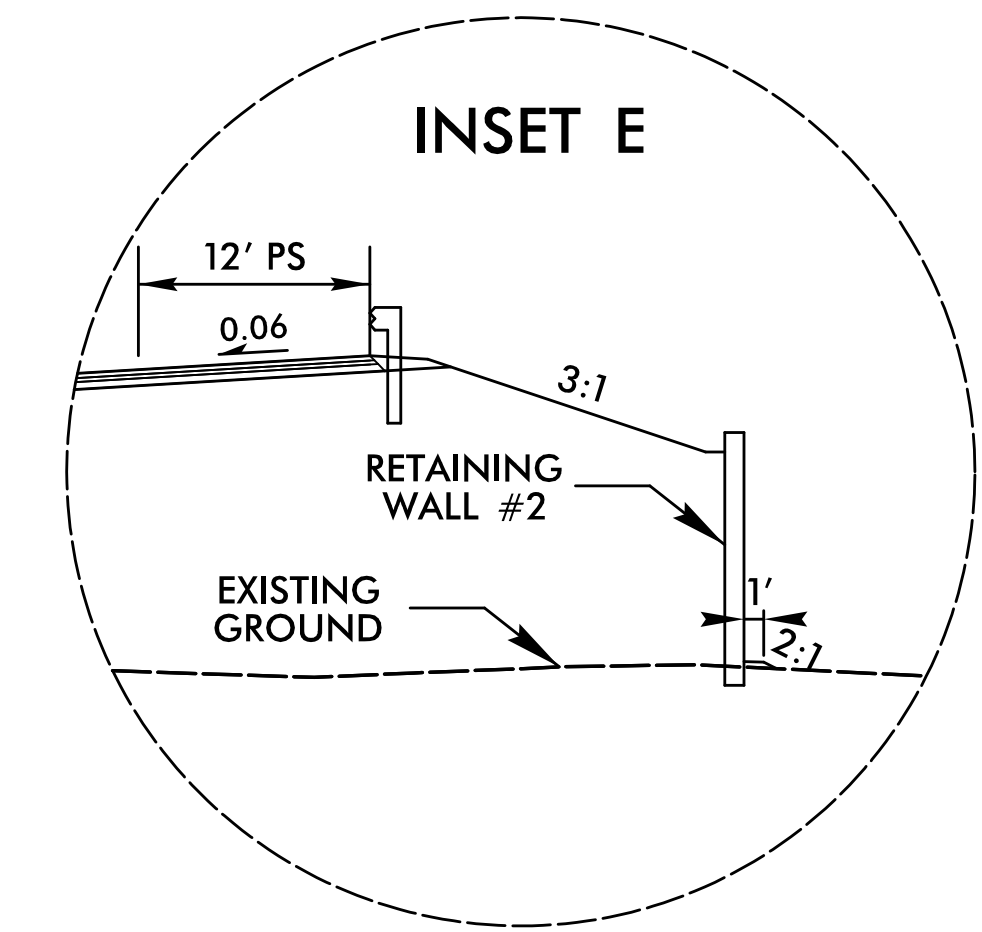
PROJECT REFERENCE NO. R-5516	SHEET NO. 2A-3
RW SHEET NO.	
ROADWAY DESIGN ENGINEER <i>[Signature]</i>	PAVEMENT DESIGN ENGINEER <i>[Signature]</i>
5/12/2017	5/18/2017
Prepared in the Office of: <b>AECOM</b> NC FIRM LICENSE No. F-0342 700 Corporate Center Drive, Suite 415 1909 854-6200 Fax 854-6259FA0	

DOCUMENT NOT CONSIDERED FINAL UNLESS ALL SIGNATURES COMPLETED

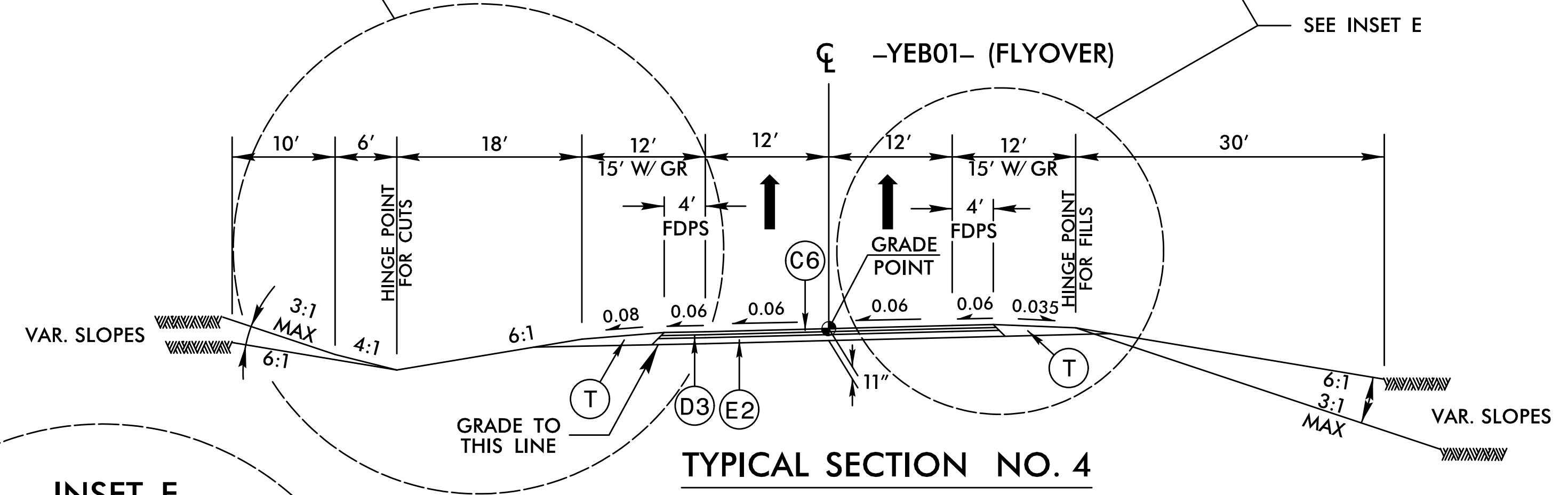
C1	1.5" S9.5B
C2	1.5" S9.5C
C3	2" S9.5B
C4	2" S9.5C
C5	3" S9.5B
C6	3" S9.5C
C7	VAR. S9.5B
C8	VAR. S9.5C
D1	2.5" I19.0C
D2	4" I19.0B
D3	4" I19.0C
D4	VAR. I19.0B
D5	VAR. I19.0C
E1	4" B25.0B
E2	4" B25.0C
E3	VAR. B25.0B
E4	VAR. B25.0C
J1	8" ABC
P	PRIME COAT
R1	5" MONO CONC ISLAND
R2	2'-6" CURB & GUTTER
R3	SHLD BERM GUTTER
T	EARTH MATERIAL.
U	EXISTING PAVEMENT.
W	WEDGING



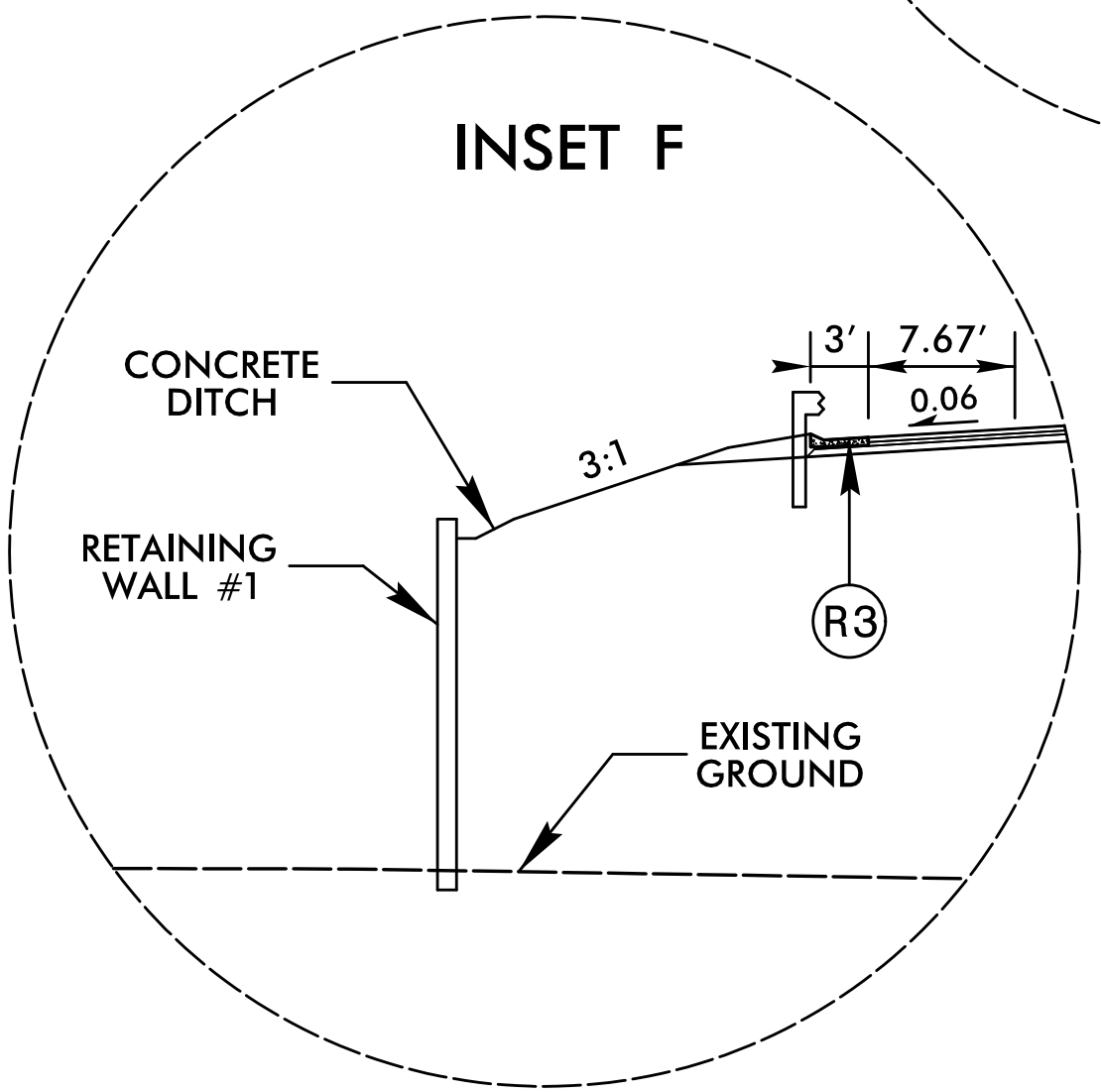
**USE TYPICAL SECTION NO. 3**  
-YEB01- STA. 8+08.92 TO -YEB01- STA. 25+81.43



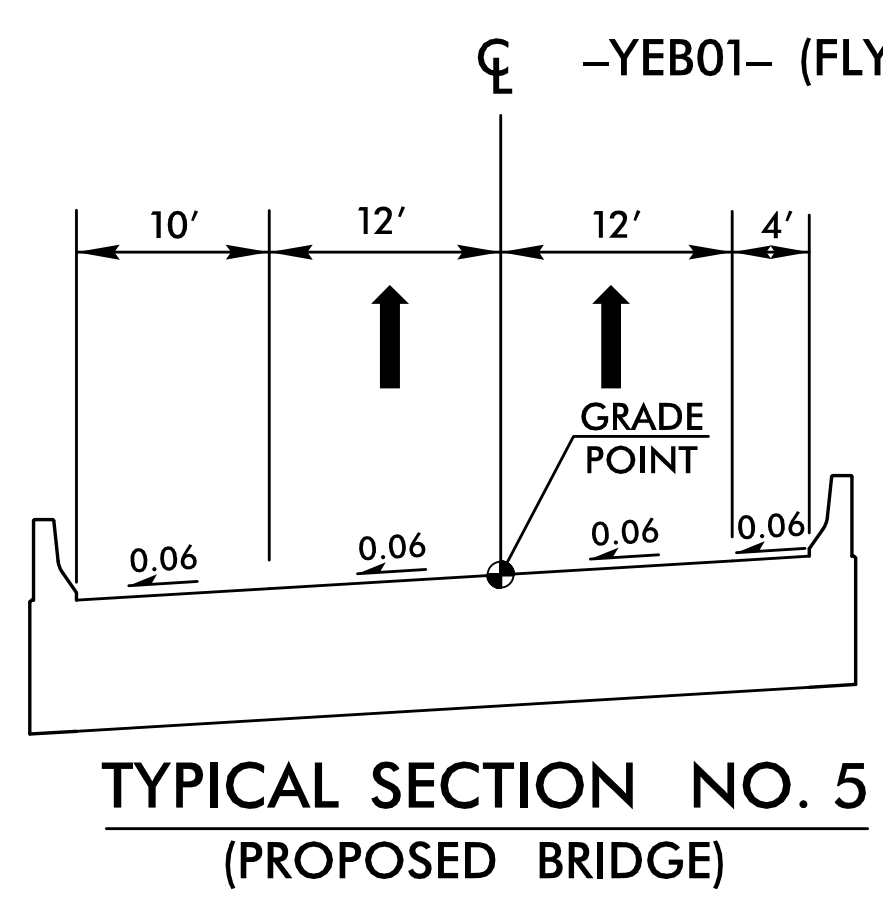
**USE IN CONJUNCTION w/TYPICAL SECTION NO. 3 & 4**  
-YEB01- STA. 23+43.32 TO -YEB01- STA. 28+70.74



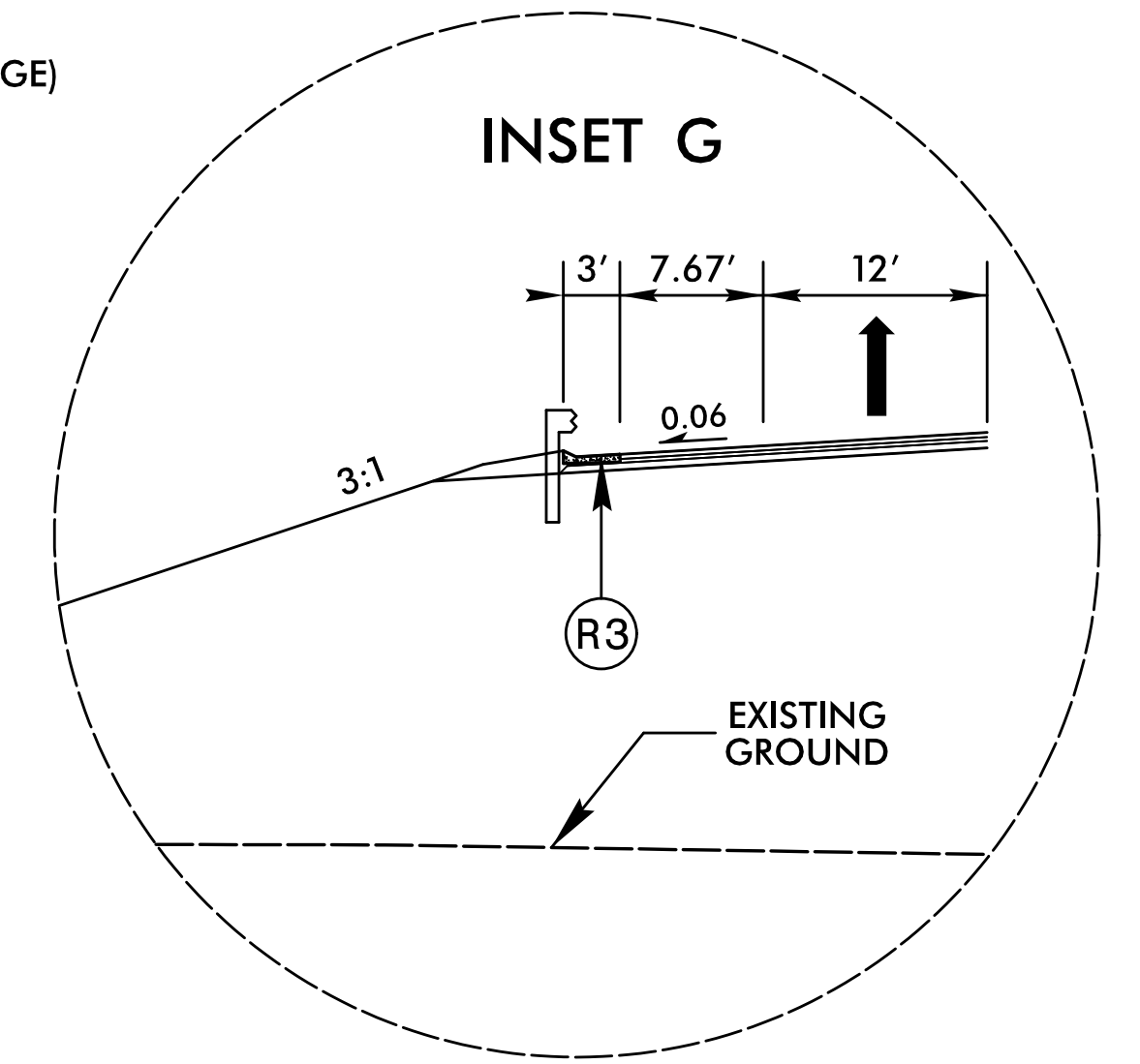
**USE TYPICAL SECTION NO. 4**  
-YEB01- STA. 25+81.43 TO -YEB01- STA. 29+00.84 +/- (BEGIN BRIDGE)  
-YEB01- STA. 33+65.84 +/- (END BRIDGE) TO -YEB01- STA. 38+00.00



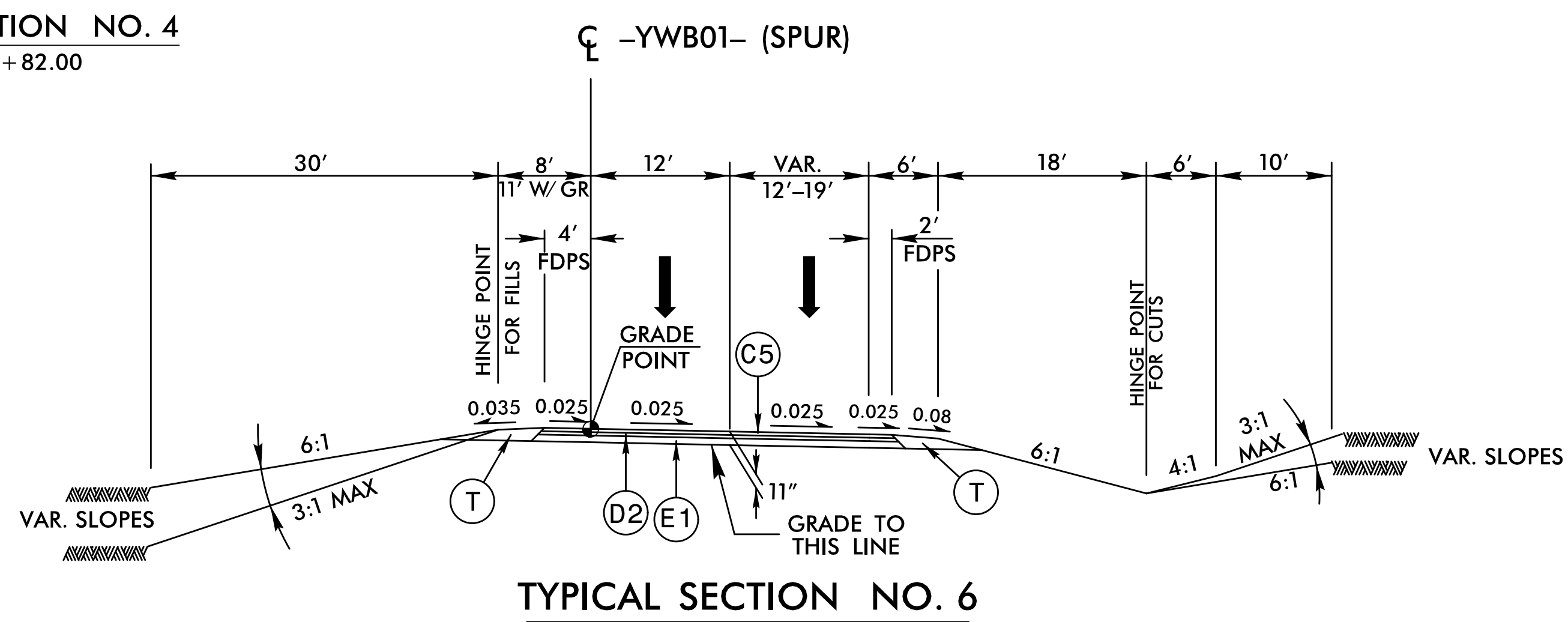
**USE IN CONJUNCTION w/TYPICAL SECTION NO. 4**  
-YEB01- STA. 33+65.84 TO -YEB01- STA. 36+82.00



**USE TYPICAL SECTION NO. 5**  
-YEB01- STA. 29+00.84 +/- (BEGIN BRIDGE) TO -YEB01- STA. 33+65.84 +/- (END BRIDGE)



**USE IN CONJUNCTION w/TYPICAL SECTION NO. 4**  
-YEB01- STA. 27+32 TO -YEB01- STA. 29+00.84



**USE TYPICAL SECTION NO. 6**  
-YWB01- STA. 11+65.44 TO -YWB01- STA. 21+00.00

REVISIONS

DATE/TIME: 4/24/17 PM  
DWG. R:\Roadway\Proj\N-5516\_rdy\ypdgm