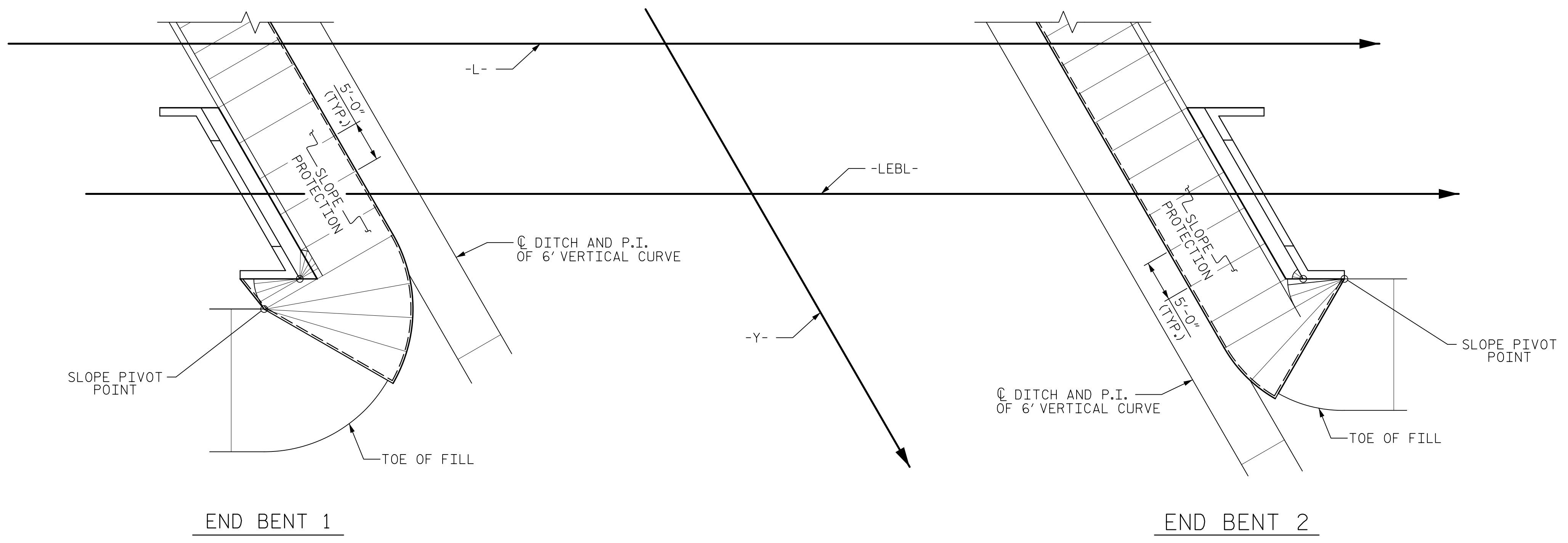
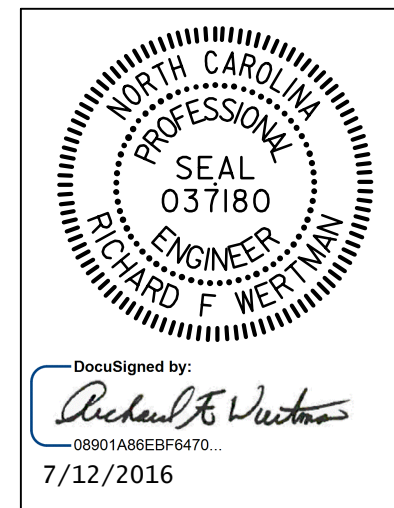


PLAN - GRADING



PLAN - CONCRETE PLACEMENT

PROJECT NO. B-4447
 BURKE COUNTY
 STATION: 25+85.40 -L-
 15+67.23 -Y-
 SHEET 2 OF 2



STATE OF NORTH CAROLINA
 DEPARTMENT OF TRANSPORTATION
 RALEIGH
 STANDARD
 SLOPE PROTECTION
 DETAILS
 EASTBOUND LANE

ASSEMBLED BY : T.J. KIRSCHBAUM	DATE : 4/13/16
CHECKED BY : R.F. WERTMAN	DATE : 4/27/16
DRAWN BY : WJH 10/88	REV. 5/1/06 TLA/GM
CHECKED BY : FCJ 10/88	REV. 10/1/11 MAA/GM
	REV. 1/16 MAA/TMG

PLANS PREPARED BY:
Gannett Fleming
 Excellence Delivered As Promised
 2610 Wycliff Road
 Suite 102
 Raleigh NC 27607-3073
 (919) 420-7660
 INC Lic. No. F-0270

THESE PLANS HAVE BEEN PROPERLY EXAMINED BY THE UNDERSIGNED. I HAVE DETERMINED THAT THEY COMPLY WITH EXISTING NORTH CAROLINA CODES, AND HAVE BEEN PROPERLY ADAPTED FOR USE IN THIS AREA.

DOCUMENT NOT CONSIDERED FINAL UNLESS ALL SIGNATURES COMPLETED

REVISIONS						SHEET NO.
NO.	BY:	DATE:	NO.	BY:	DATE:	S02-26
1			3			TOTAL SHEETS
2			4			28