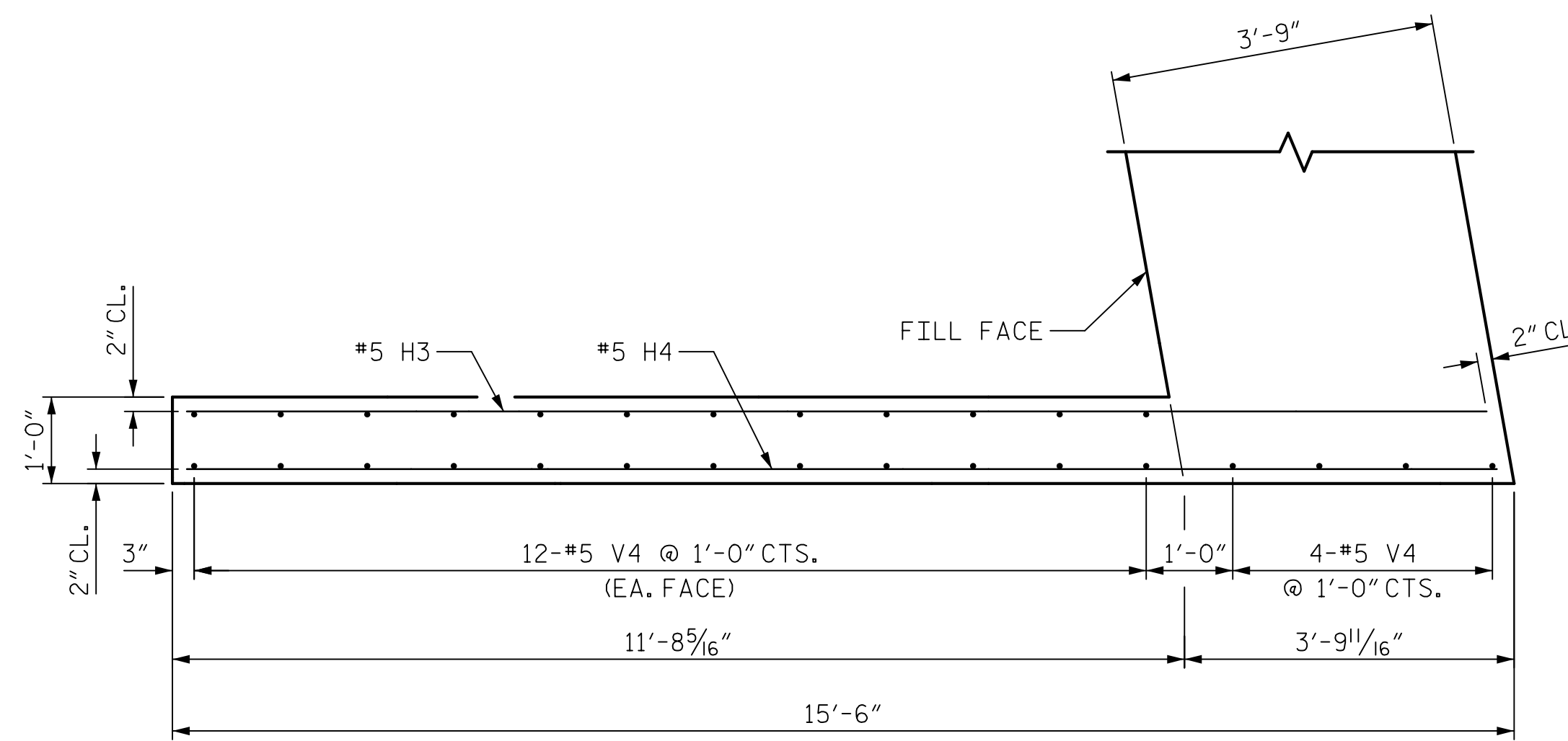
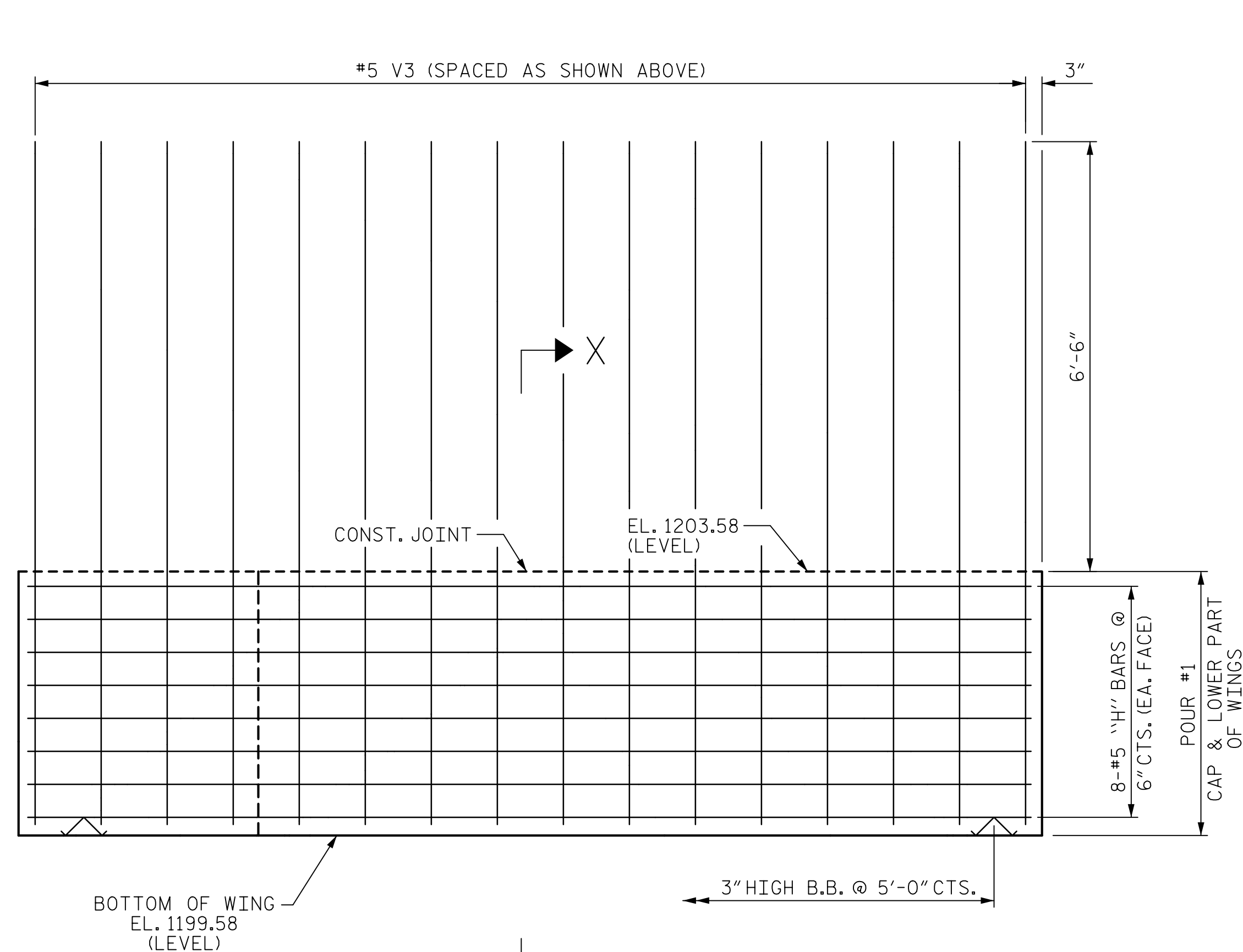


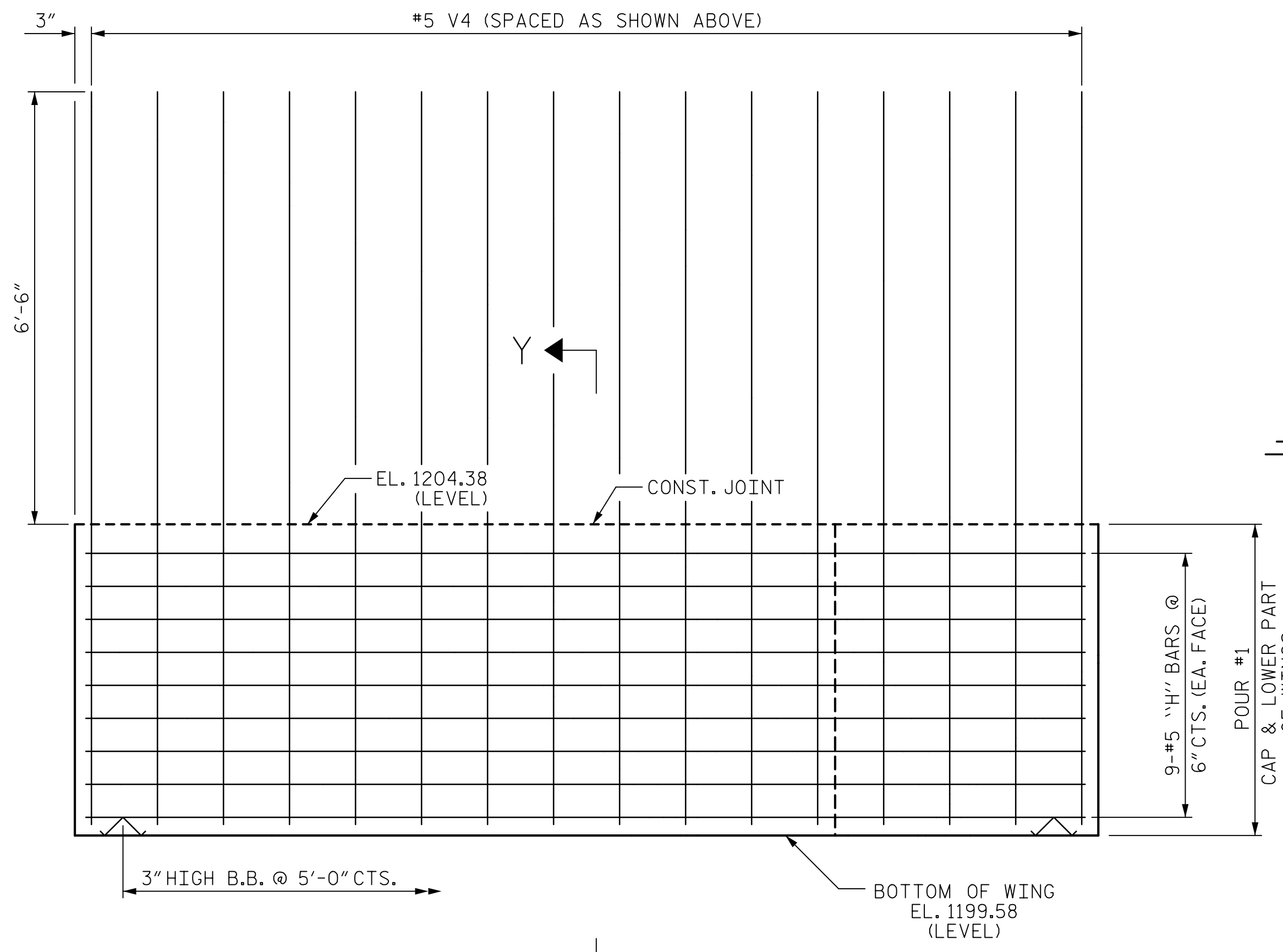
PLAN - BOTTOM OF WING (W3)



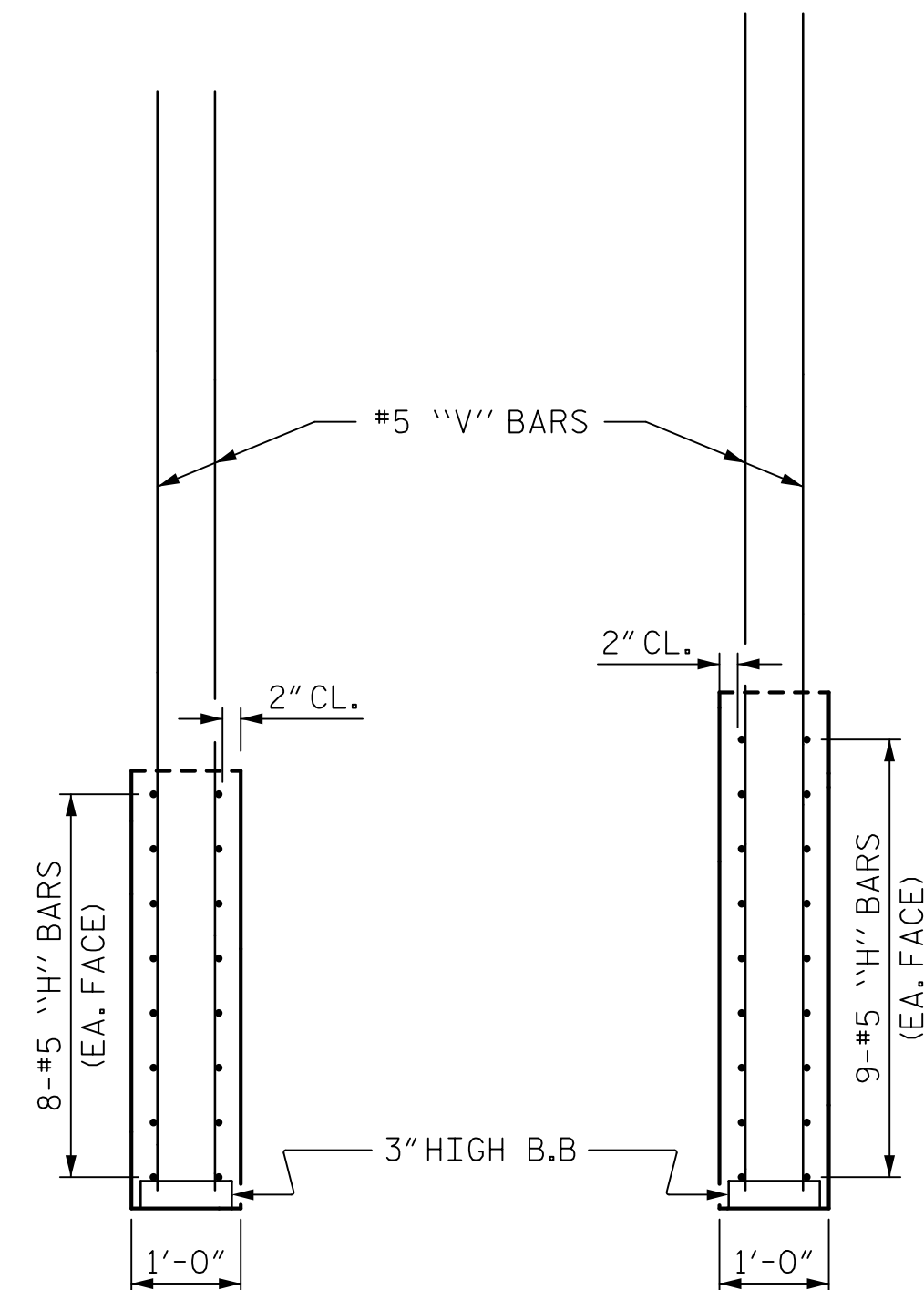
PLAN - BOTTOM OF WING (W4)



ELEVATION - BOTTOM OF WING (W3)



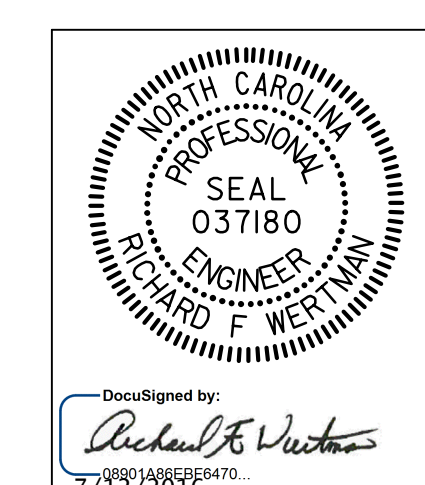
ELEVATION - BOTTOM OF WING (W4)



SECTION X-X

SECTION Y-Y

PROJECT NO. B-4447
 BURKE COUNTY
 STATION: 25+85.40 -L-
 15+67.23 -Y-
 SHEET 2 OF 4



STATE OF NORTH CAROLINA
 DEPARTMENT OF TRANSPORTATION
 RALEIGH
 SUBSTRUCTURE
 INTEGRAL
 END BENT #2
 EASTBOUND LANE

DRAWN BY : T.J. KIRSCHBAUM DATE : 1/6/16
 CHECKED BY : R.F. WERTMAN DATE : 4/6/16
 DESIGN ENGINEER OF RECORD : R.F. WERTMAN DATE : 4/6/16

PLANS PREPARED BY:
Gannett Fleming
 Excellence Delivered As Promised
 2610 Wycliff Road
 Suite 102
 Raleigh, NC 27607-3073
 (919) 420-7660
 NC Lic. No. F-0270

DOCUMENT NOT CONSIDERED
 FINAL UNLESS ALL
 SIGNATURES COMPLETED

REVISIONS						SHEET NO.
NO.	BY:	DATE:	NO.	BY:	DATE:	S02-22
1			3			TOTAL SHEETS 28
2			4			