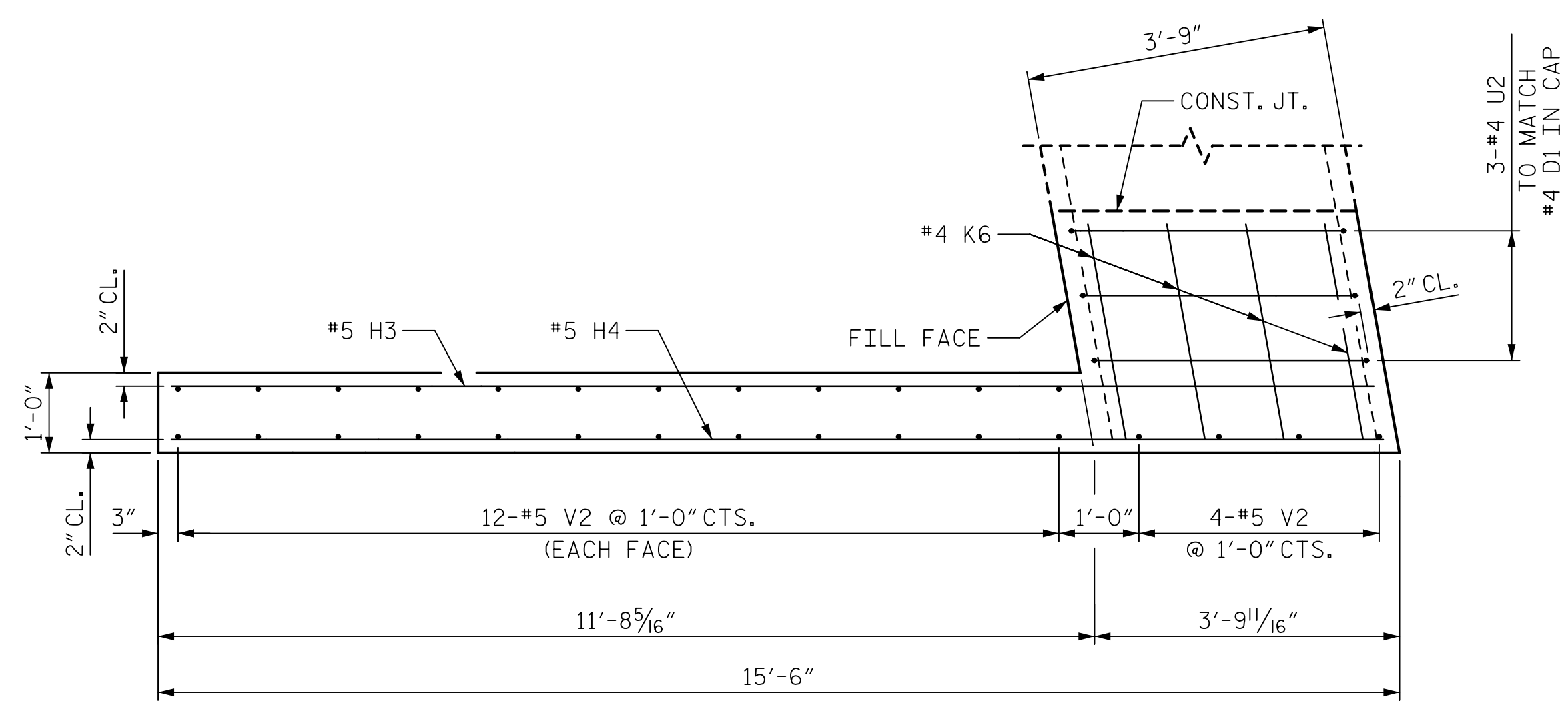
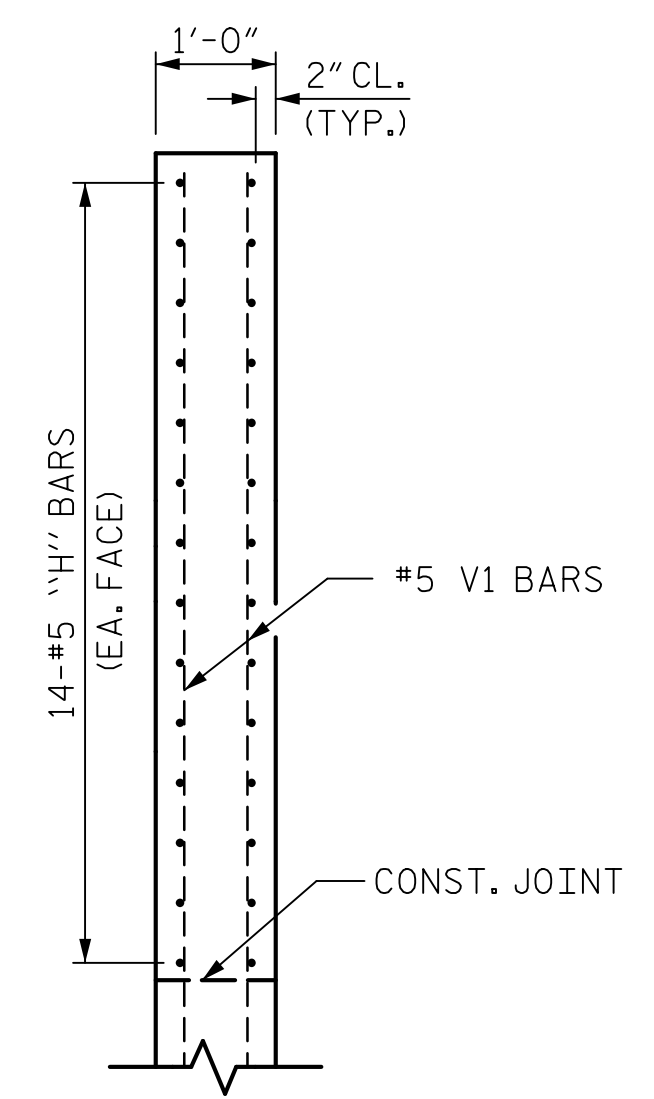


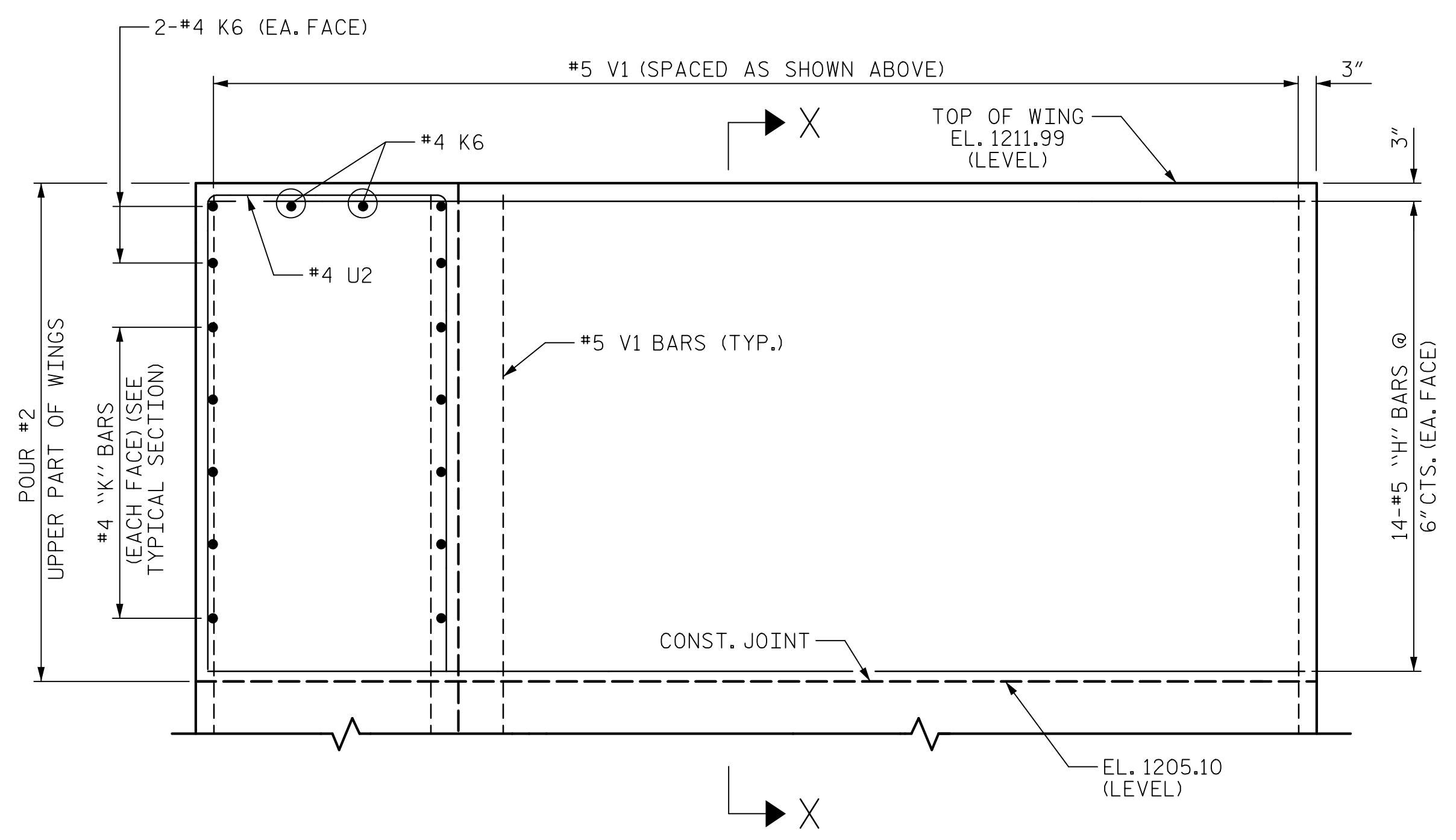
PLAN - TOP OF WING (W1)



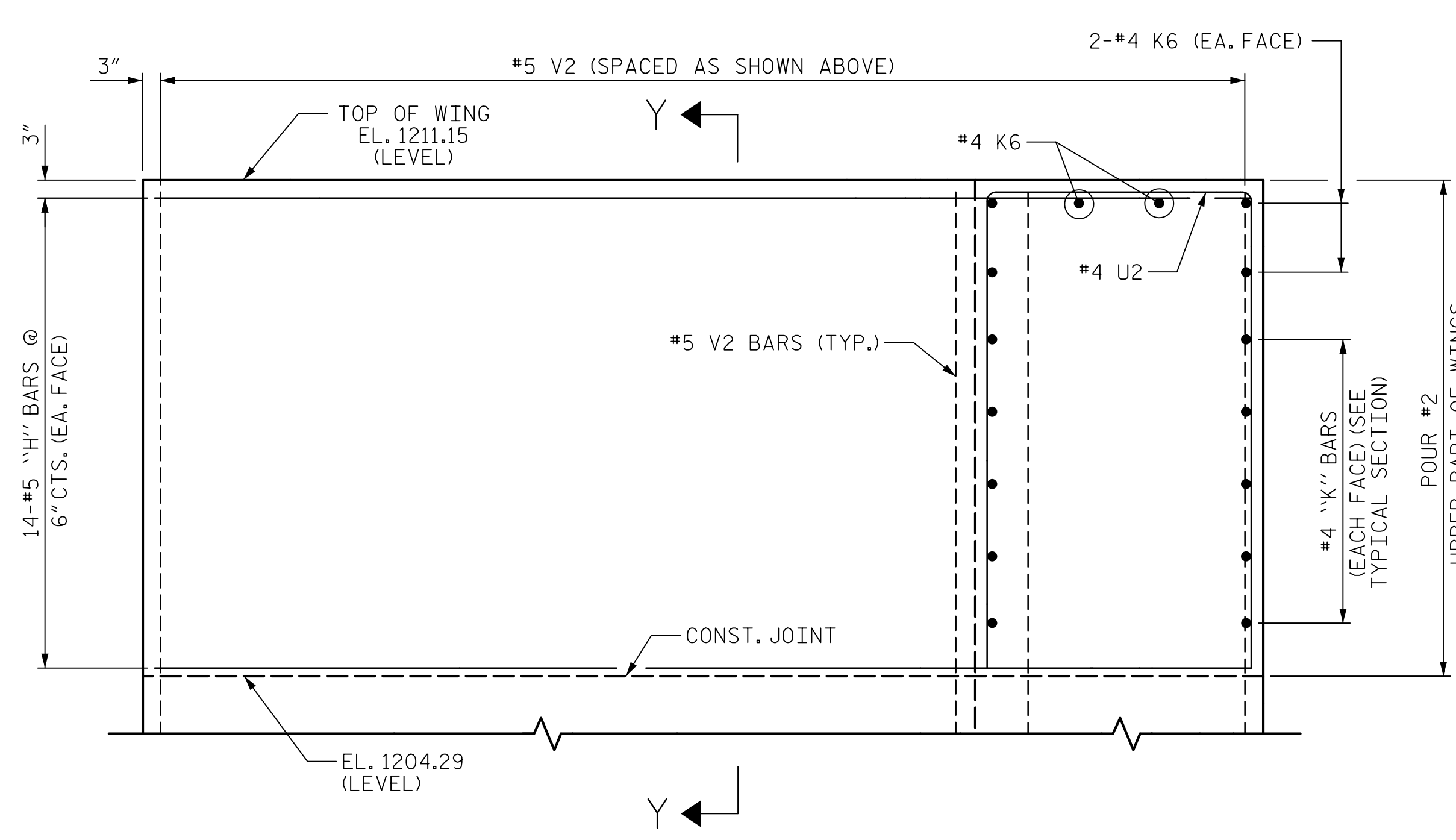
PLAN - TOP OF WING (W2)



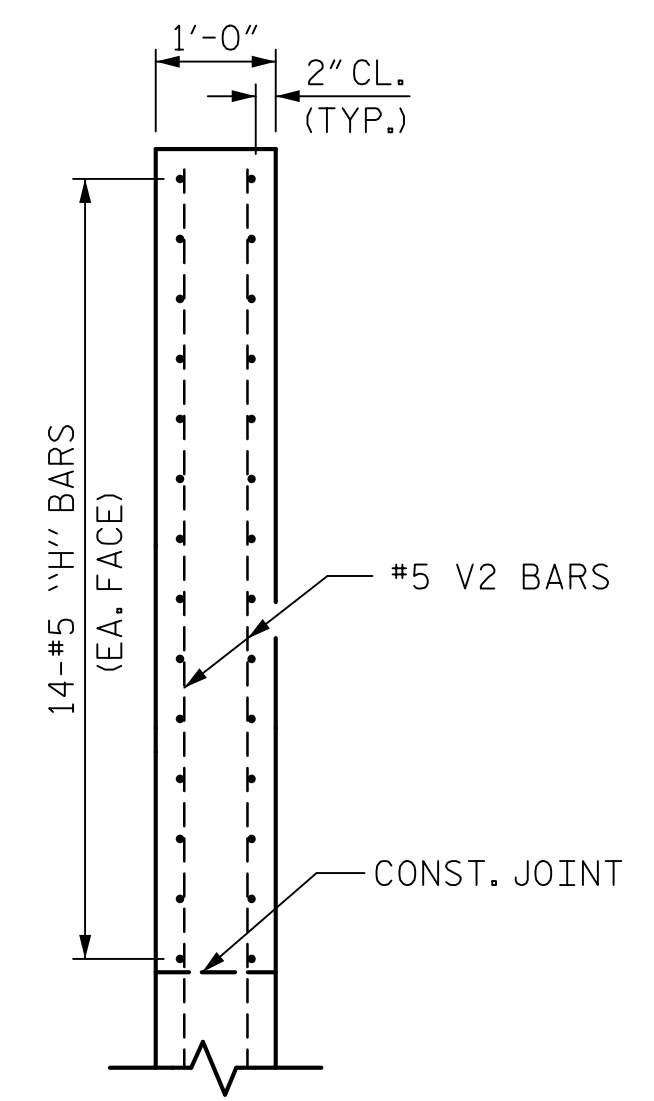
SECTION X-X



ELEVATION - TOP OF WING (W1)



ELEVATION - TOP OF WING (W2)



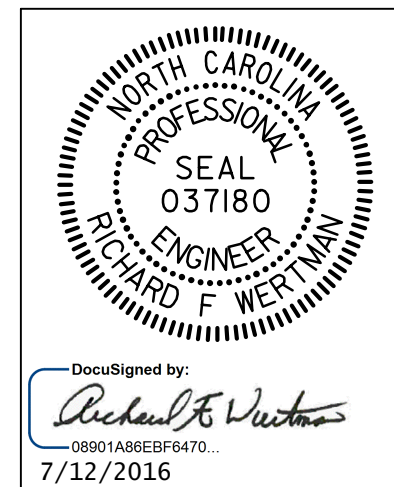
SECTION Y-Y

PROJECT NO. B-4447
 BURKE COUNTY
 STATION: 25+85.40 -L-
 15+67.23 -Y-
 SHEET 3 OF 4

NOTES:
 THE UPPER PART OF THE WINGS (POUR #2)
 SHALL BE POURED AFTER THE SUPERSTRUCTURE.

DRAWN BY : T.J. KIRSCHBAUM DATE : 1/6/16
 CHECKED BY : R.F. WERTMAN DATE : 4/6/16
 DESIGN ENGINEER OF RECORD : R.F. WERTMAN DATE : 4/6/16

PLANS PREPARED BY:
Gannett Fleming
 Excellence Delivered As Promised
 2610 Wycliff Road
 Suite 102
 Raleigh, NC 27607-3073
 (919) 420-7660
 NC Lic. No. F-0270



DOCUMENT NOT CONSIDERED
 FINAL UNLESS ALL
 SIGNATURES COMPLETED

STATE OF NORTH CAROLINA DEPARTMENT OF TRANSPORTATION RALEIGH					
SUBSTRUCTURE INTEGRAL END BENT #1 EASTBOUND LANE					
REVISIONS					
NO.	BY:	DATE:	NO.	BY:	DATE:
1			3		
2			4		
SHEET NO. S02-19					TOTAL SHEETS 28