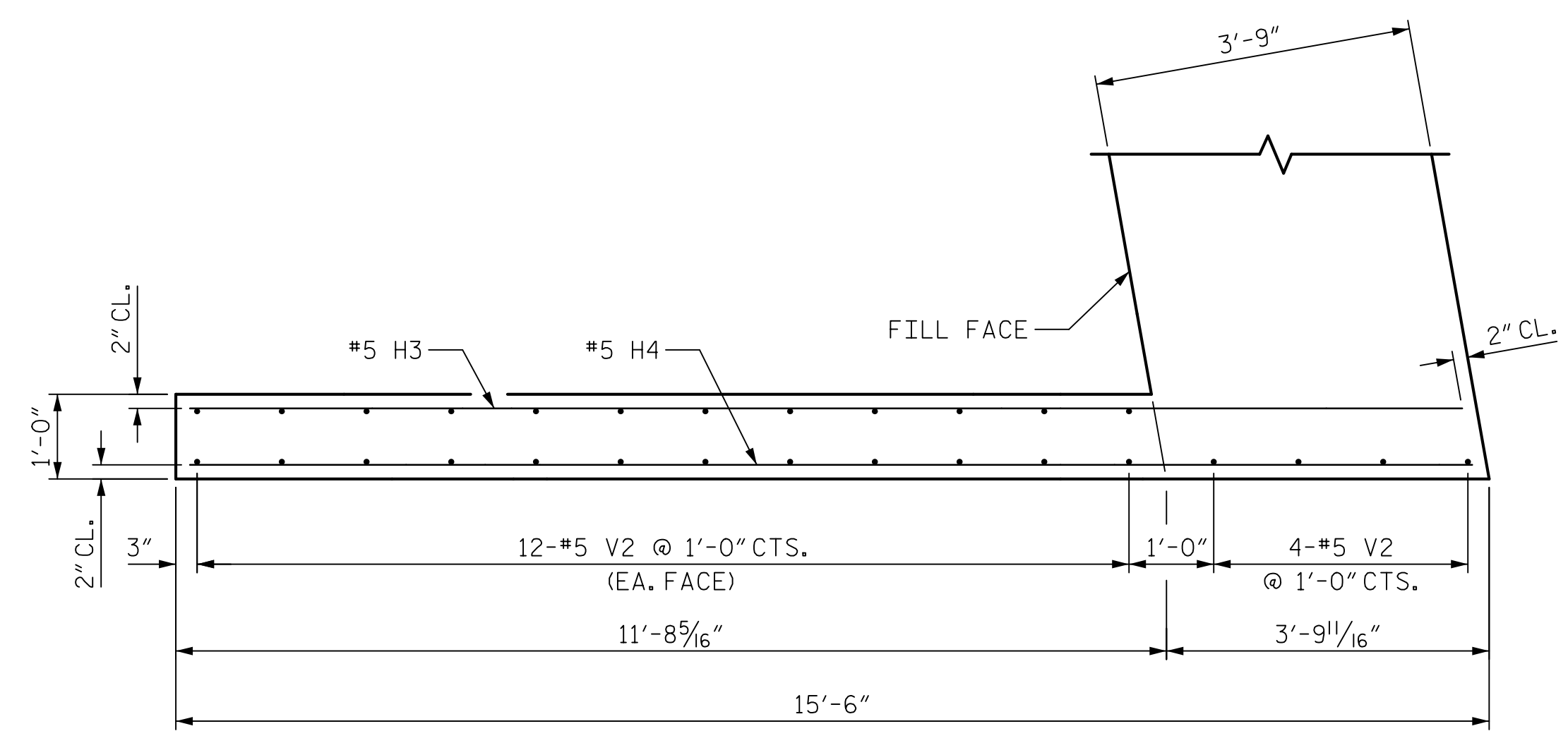
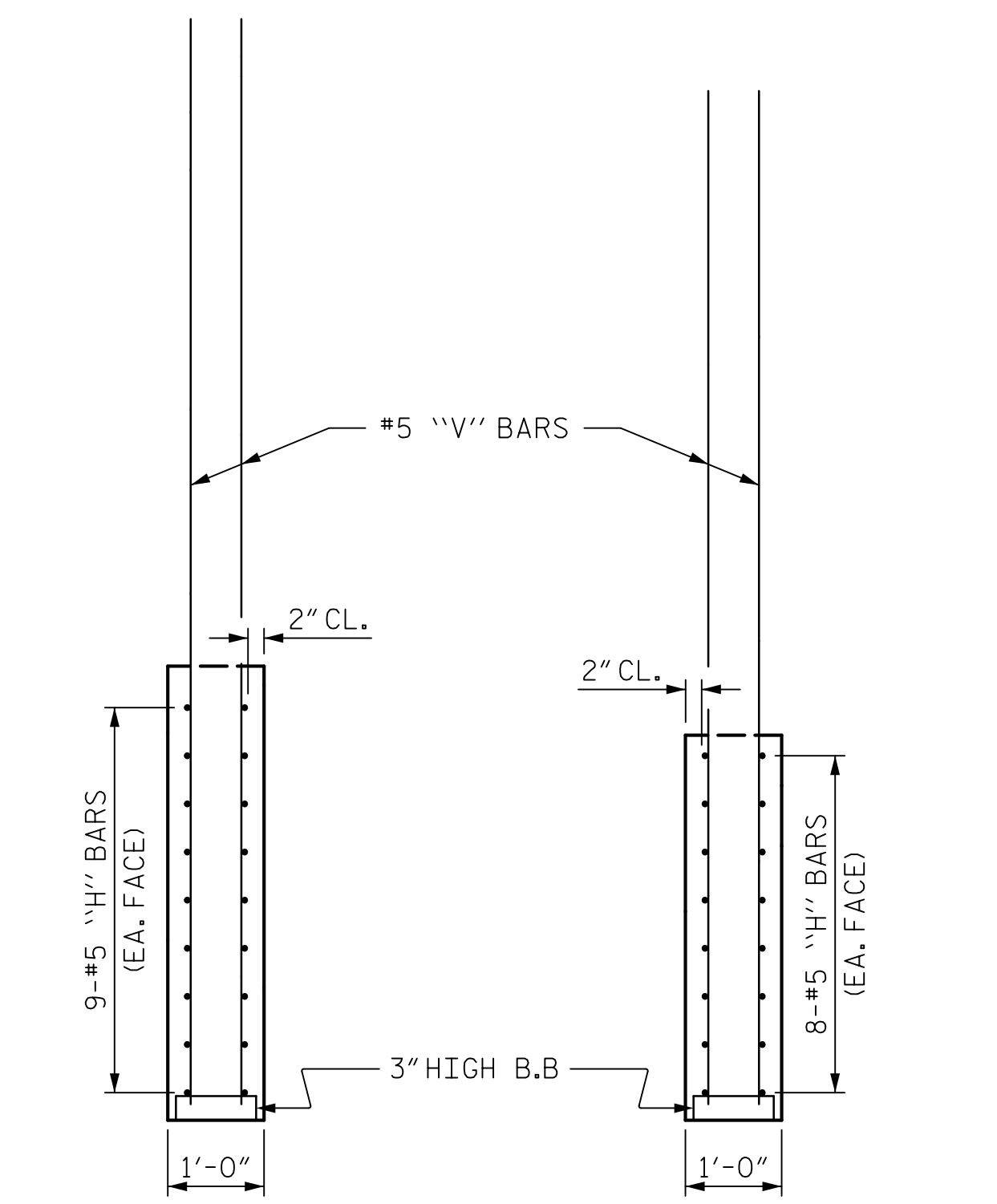


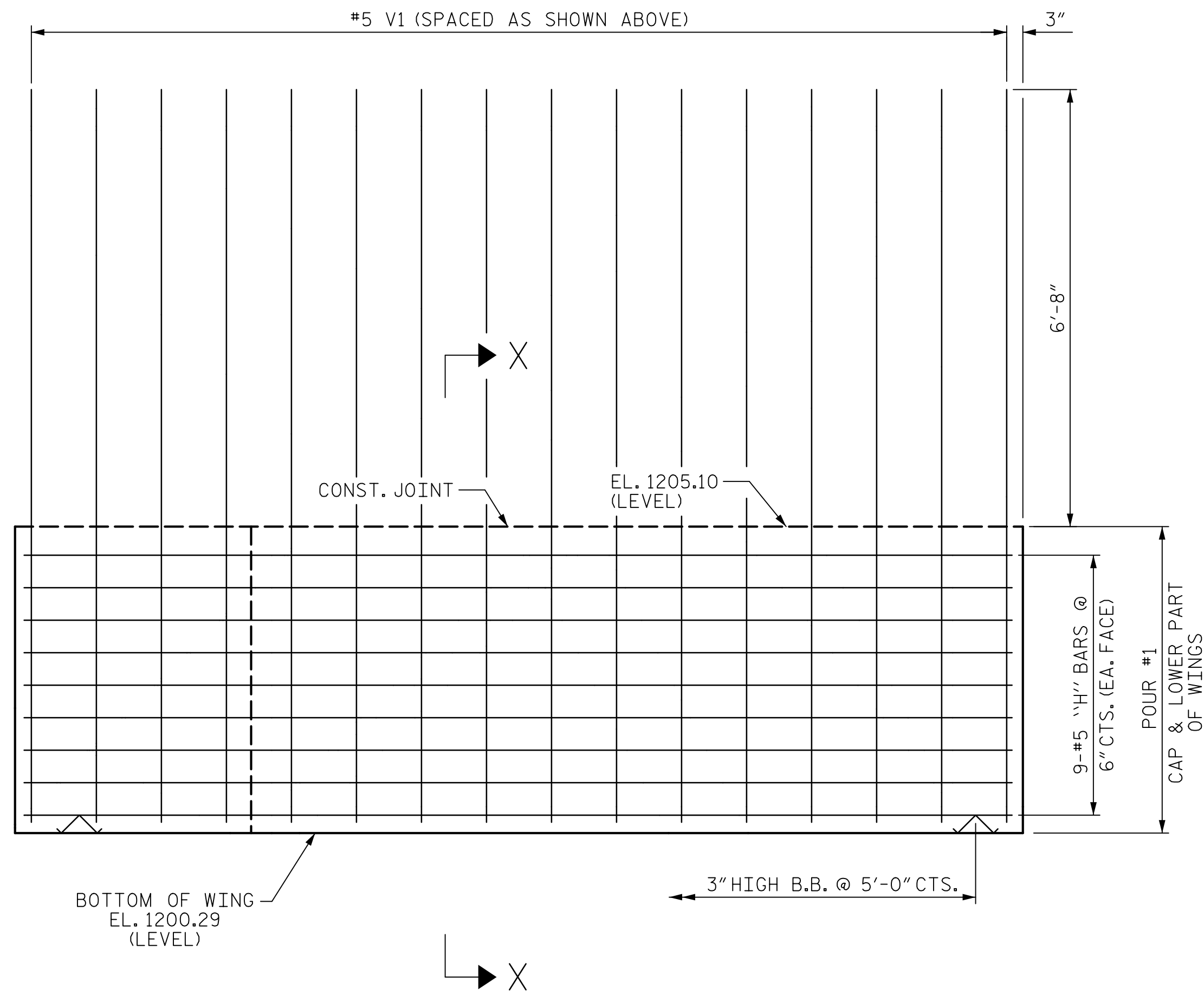
PLAN - BOTTOM OF WING (W1)



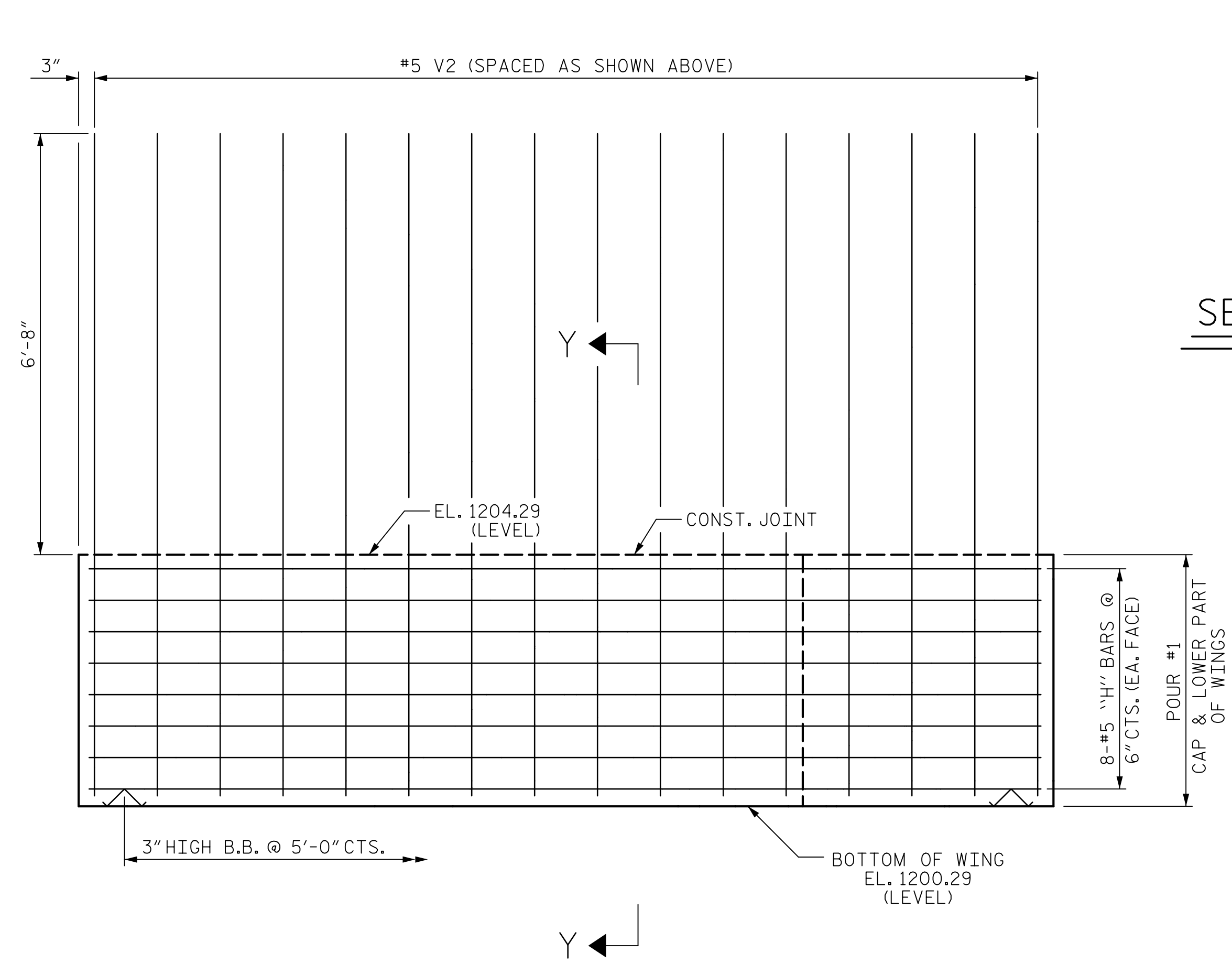
PLAN - BOTTOM OF WING (W2)



SECTION X-X SECTION Y-Y

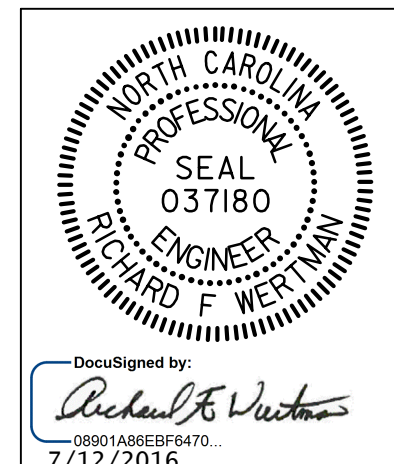


ELEVATION - BOTTOM OF WING (W1)



ELEVATION - BOTTOM OF WING (W2)

PROJECT NO. B-4447  
 BURKE COUNTY  
 STATION: 25+85.40 -L-  
 15+67.23 -Y-  
 SHEET 2 OF 4



STATE OF NORTH CAROLINA  
 DEPARTMENT OF TRANSPORTATION  
 RALEIGH  
 SUBSTRUCTURE  
 INTEGRAL  
 END BENT #1  
 EASTBOUND LANE

DRAWN BY : T.J. KIRSCHBAUM DATE : 1/6/16  
 CHECKED BY : R.F. WERTMAN DATE : 4/6/16  
 DESIGN ENGINEER OF RECORD : R.F. WERTMAN DATE : 4/6/16

PLANS PREPARED BY:  
**Gannett Fleming**  
 Excellence Delivered As Promised  
 2610 Wycliff Road  
 Suite 102  
 Raleigh, NC 27607-3073  
 (919) 420-7660  
 NC Lic. No. F-0270

DOCUMENT NOT CONSIDERED  
 FINAL UNLESS ALL  
 SIGNATURES COMPLETED

REVISIONS						SHEET NO. S02-18
NO.	BY:	DATE:	NO.	BY:	DATE:	
1			3			TOTAL SHEETS 28
2			4			