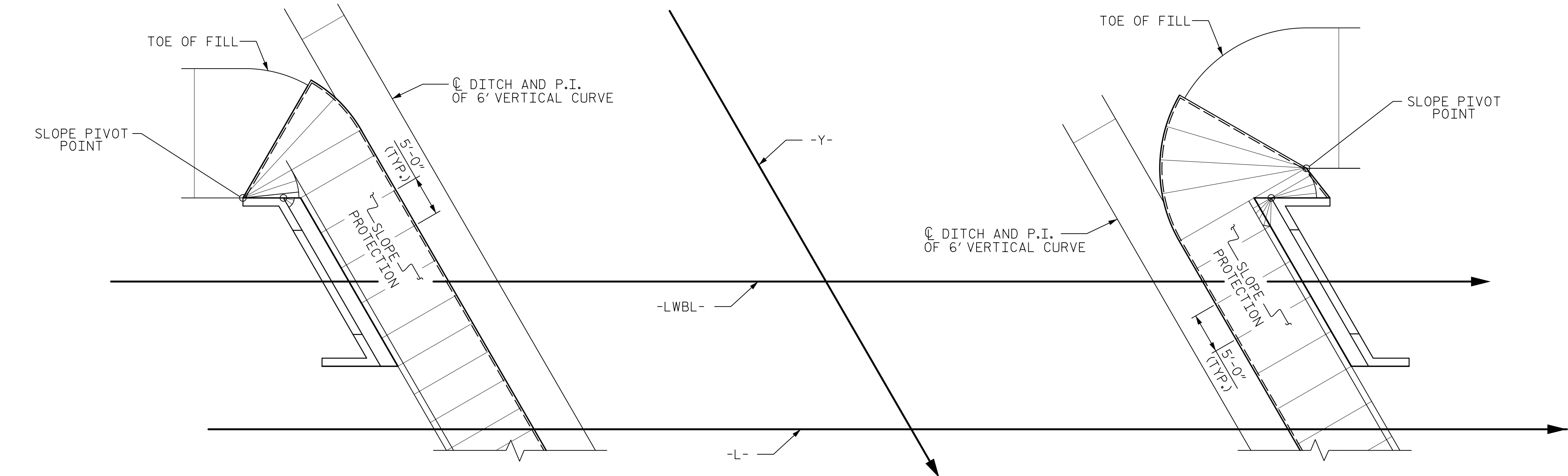
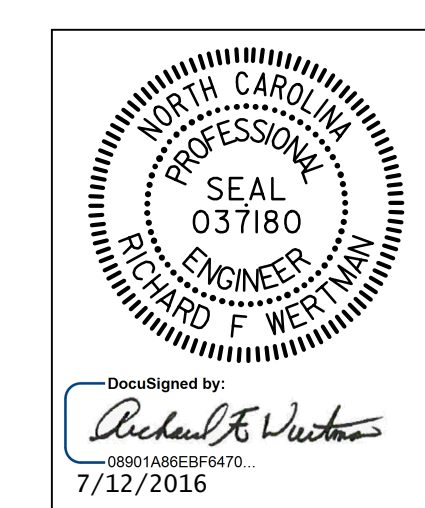


PLAN - GRADING



PLAN - CONCRETE PLACEMENT

PROJECT NO. B-4447
BURKE COUNTY
 STATION: 25+85.40 -L-
15+67.23 -Y-
 SHEET 2 OF 2



STATE OF NORTH CAROLINA
 DEPARTMENT OF TRANSPORTATION
 RALEIGH
 STANDARD
 SLOPE PROTECTION
 DETAILS
 WESTBOUND LANE

| | |
|--------------------------------|---------------------|
| ASSEMBLED BY : T.J. KIRSCHBAUM | DATE : 4/13/16 |
| CHECKED BY : R.F. WERTMAN | DATE : 4/27/16 |
| DRAWN BY : WJH 10/88 | REV. 5/1/06 TLA/GM |
| CHECKED BY : FCJ 10/88 | REV. 10/1/11 MAA/GM |
| | REV. 1/16 MAA/TMG |

PLANS PREPARED BY:
Gannett Fleming
 Excellence Delivered *As Promised*
 2610 Wycliff Road
 Suite 102
 Raleigh, NC 27607-3073
 (919) 420-7660
 INC Lic. No. F-0270

THESE PLANS HAVE BEEN PROPERLY EXAMINED BY THE UNDERSIGNED. I HAVE DETERMINED THAT THEY COMPLY WITH EXISTING NORTH CAROLINA CODES, AND HAVE BEEN PROPERLY ADAPTED FOR USE IN THIS AREA.

DOCUMENT NOT CONSIDERED FINAL UNLESS ALL SIGNATURES COMPLETED

| REVISIONS | | | | | | SHEET NO. |
|-----------|-----|-------|-----|-----|-------|--------------|
| NO. | BY: | DATE: | NO. | BY: | DATE: | S01-26 |
| 1 | | | 3 | | | TOTAL SHEETS |
| 2 | | | 4 | | | 28 |