

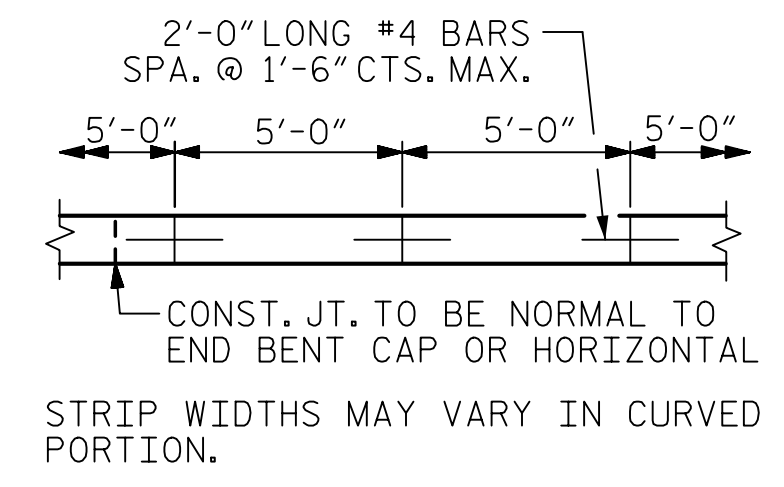
PLAN

GENERAL NOTES

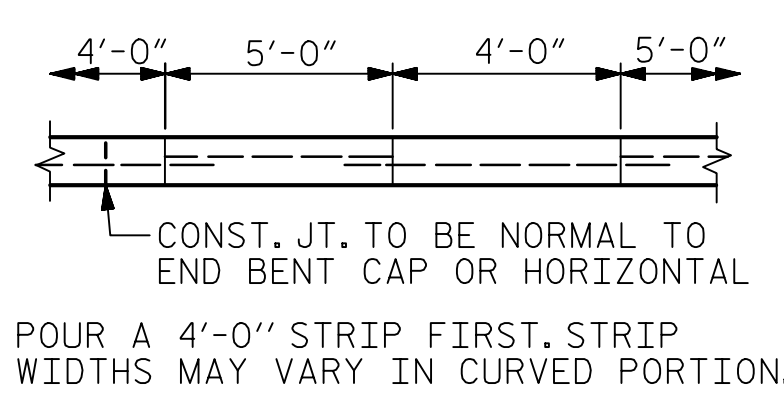
STRAIGHT EDGING WILL NOT BE REQUIRED UNLESS, IN THE OPINION OF THE ENGINEER, VISUAL INSPECTION INDICATES A NEED FOR IT. MEASUREMENT AND PAYMENT SHALL BE AS PRESCRIBED IN SECTION 462 OF THE STANDARD SPECIFICATIONS. FOR BERM WIDTH, SEE GENERAL DRAWING. SLOPE PROTECTION SHALL CONSIST OF 4" POURED-IN-PLACE CONCRETE PAVING AS SHOWN IN THE DETAILS ON THIS SHEET. CONCRETE SHALL BE CLASS "B". THE CONCRETE SURFACE SHALL BE FLOATED WITH A WOODEN FLOAT AND FINISHED. WELDED WIRE FABRIC REINFORCING SHALL BE 6 X 6 - W1.4 X W1.4, 60" WIDE. SLOPE PROTECTION SHALL BE POURED IN 5' STRIPS AS SHOWN IN THE "POURING DETAIL" WITH 2'-0" LONG #4 BARS PLACED ALONG THE SLOPE BETWEEN STRIPS AT 1'-6" MAXIMUM SPACING. SLOPE PROTECTION MAY BE POURED IN ALTERNATE 4' AND 5' STRIPS AS SHOWN IN THE "OPTIONAL POURING DETAIL" WITH ADJACENT RUNS OF WELDED WIRE FABRIC LAPPING AT LEAST 6". THE COST OF THE WELDED WIRE FABRIC AND #4 BARS, IF USED, SHALL BE INCLUDED IN THE CONTRACT UNIT PRICE BID PER SQUARE YARD FOR SLOPE PROTECTION.

BRIDGE @ STA. 25+85.40 -L- STA. 15+67.23 -Y-	4 INCH SLOPE PROTECTION	* WELDED WIRE FABRIC 60 INCHES WIDE
	SQUARE YARDS	APPROX. L.F.
END BENT 1	375	830
END BENT 2	330	825

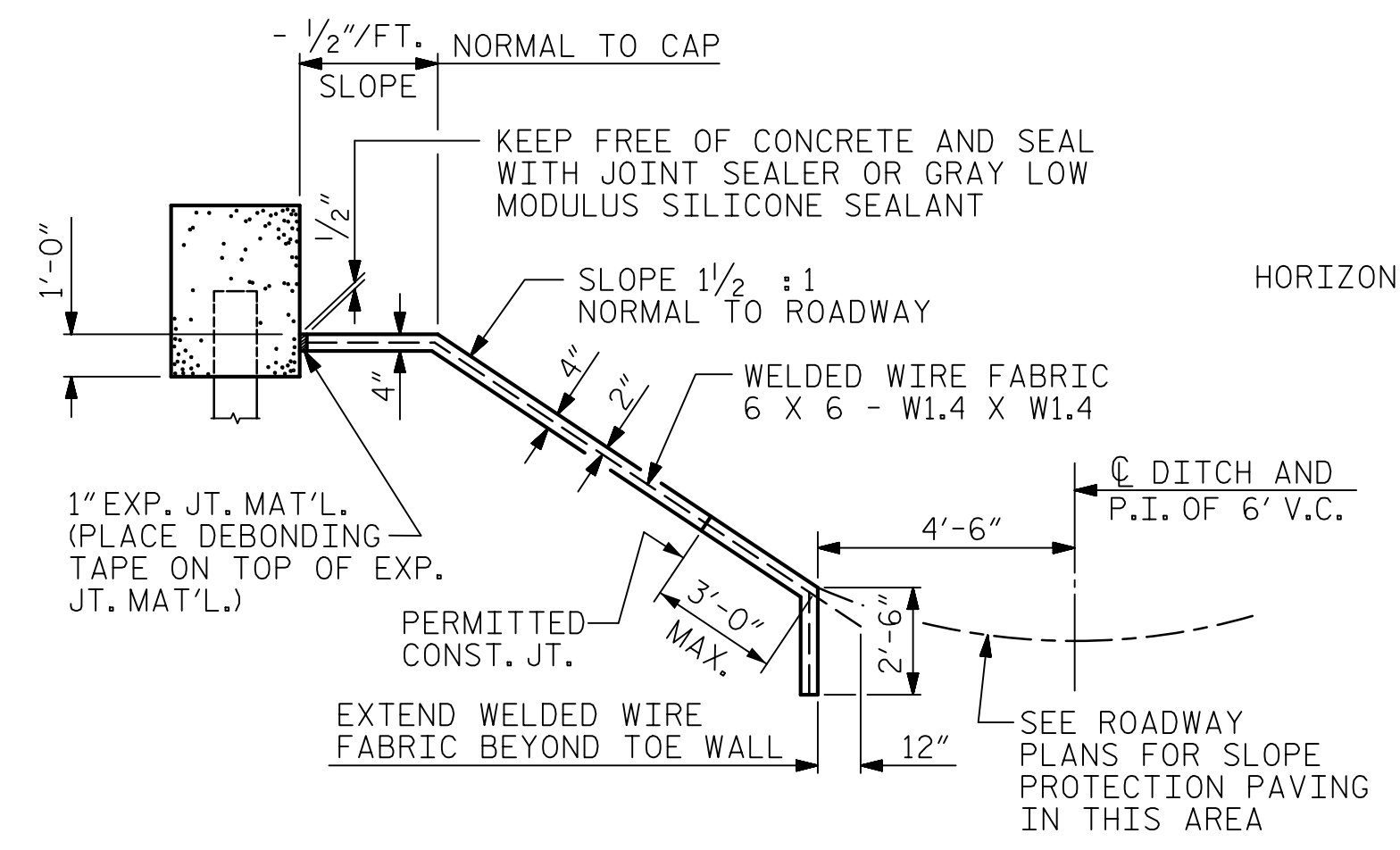
* QUANTITY SHOWN IS BASED ON 5' POURS.



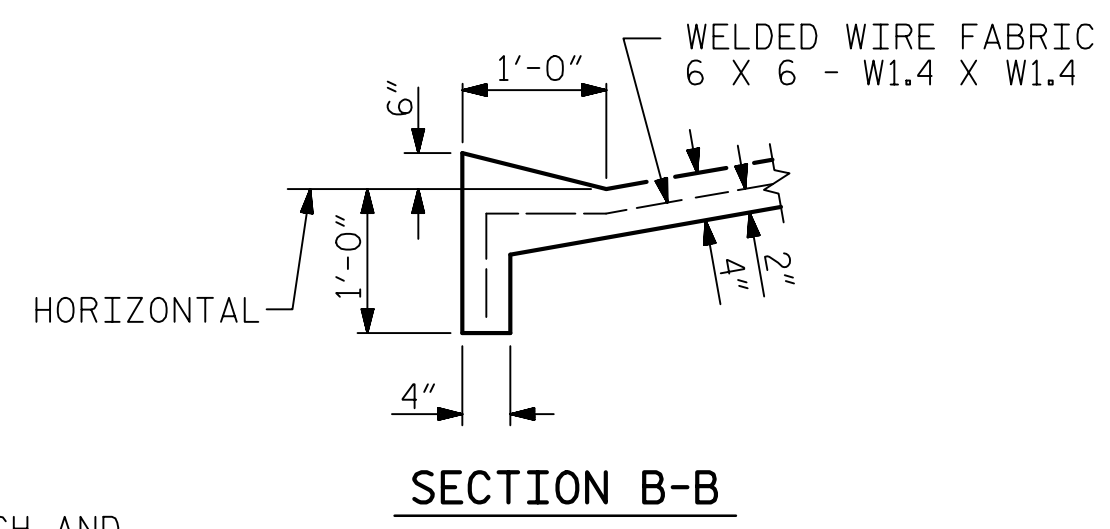
POURING DETAIL



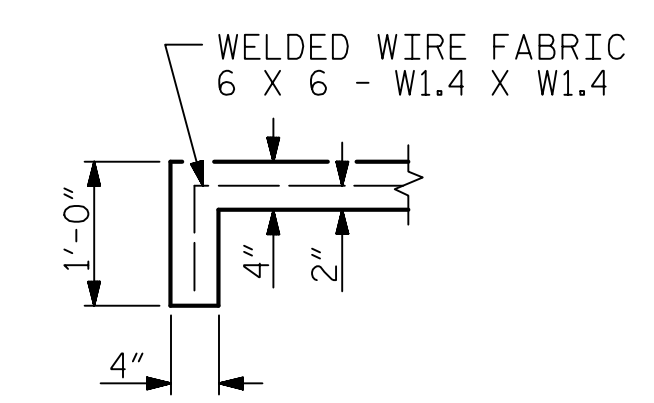
OPTIONAL POURING DETAIL



SECTION ALONG C ROADWAY WHEN FILL CATCHES IN DITCH



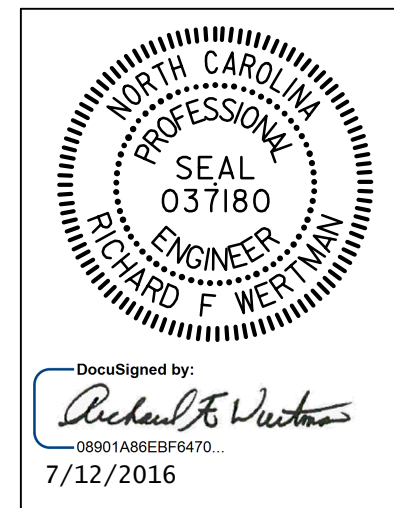
SECTION B-B



SECTION A-A

DETAILS FOR SLOPE PROTECTION

PROJECT NO. B-4447
BURKE COUNTY
 STATION: 25+85.40 -L-
15+67.23 -Y-
 SHEET 1 OF 2



STATE OF NORTH CAROLINA
 DEPARTMENT OF TRANSPORTATION
 RALEIGH
 STANDARD
 SLOPE PROTECTION
 DETAILS
 WESTBOUND LANE

REVISIONS						SHEET NO.
NO.	BY:	DATE:	NO.	BY:	DATE:	S01-25
1			3			TOTAL SHEETS
2			4			28

ASSEMBLED BY : T.J. KIRSCHBAUM	DATE : 4/13/16
CHECKED BY : R.F. WERTMAN	DATE : 4/27/16
DRAWN BY : ELR 5/92	REV. 10/1/11 MAA/GM
CHECKED BY : GRP 6/92	REV. 12/21/11 MAA/GM
	REV. 1/16 MAA/TMG

PLANS PREPARED BY:
Gannett Fleming
 Excellence Delivered As Promised
 2610 Wycliff Road
 Suite 102
 Raleigh, NC 27607-3073
 (919) 420-7660
 INC Lic. No. F-0270

THESE PLANS HAVE BEEN PROPERLY EXAMINED BY THE UNDERSIGNED. I HAVE DETERMINED THAT THEY COMPLY WITH EXISTING NORTH CAROLINA CODES, AND HAVE BEEN PROPERLY ADAPTED FOR USE IN THIS AREA.

DOCUMENT NOT CONSIDERED FINAL UNLESS ALL SIGNATURES COMPLETED