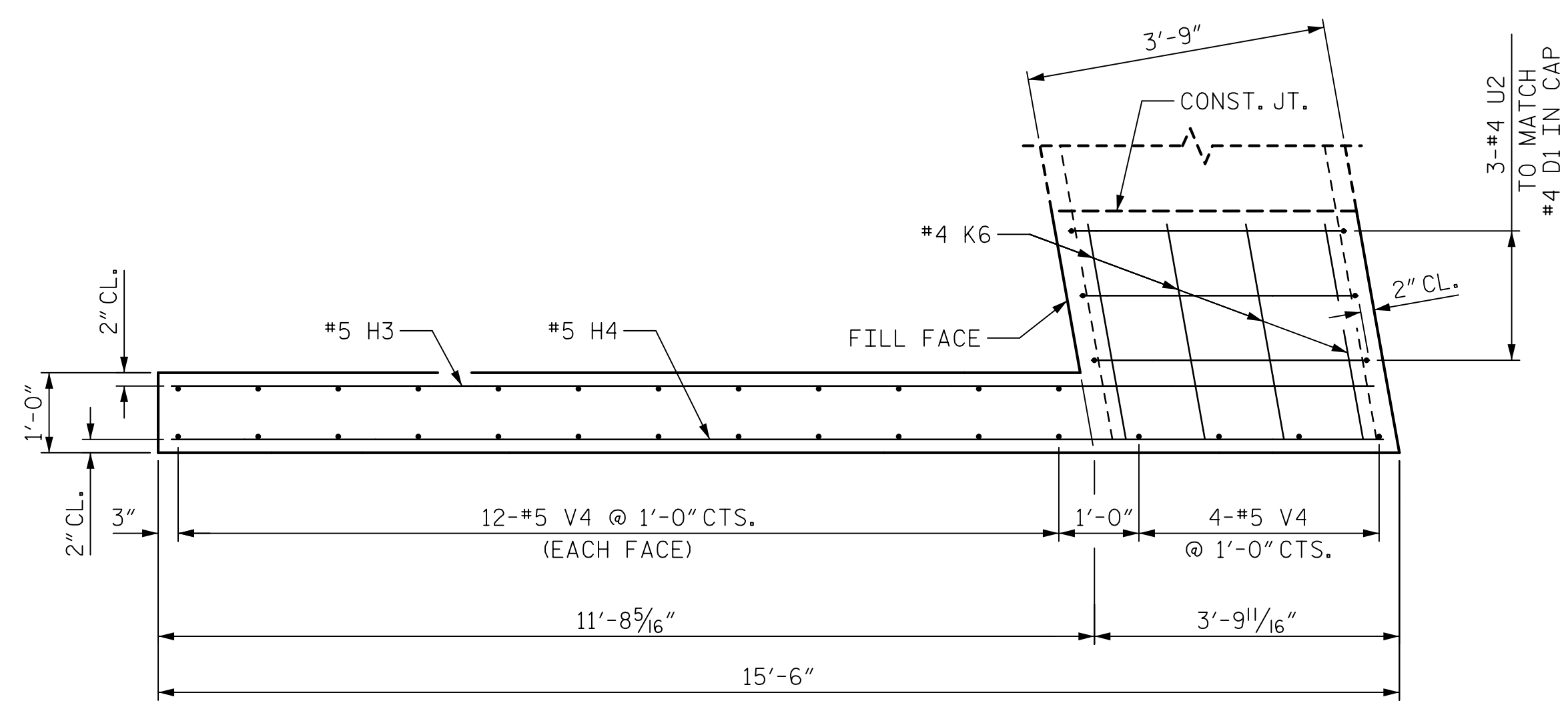
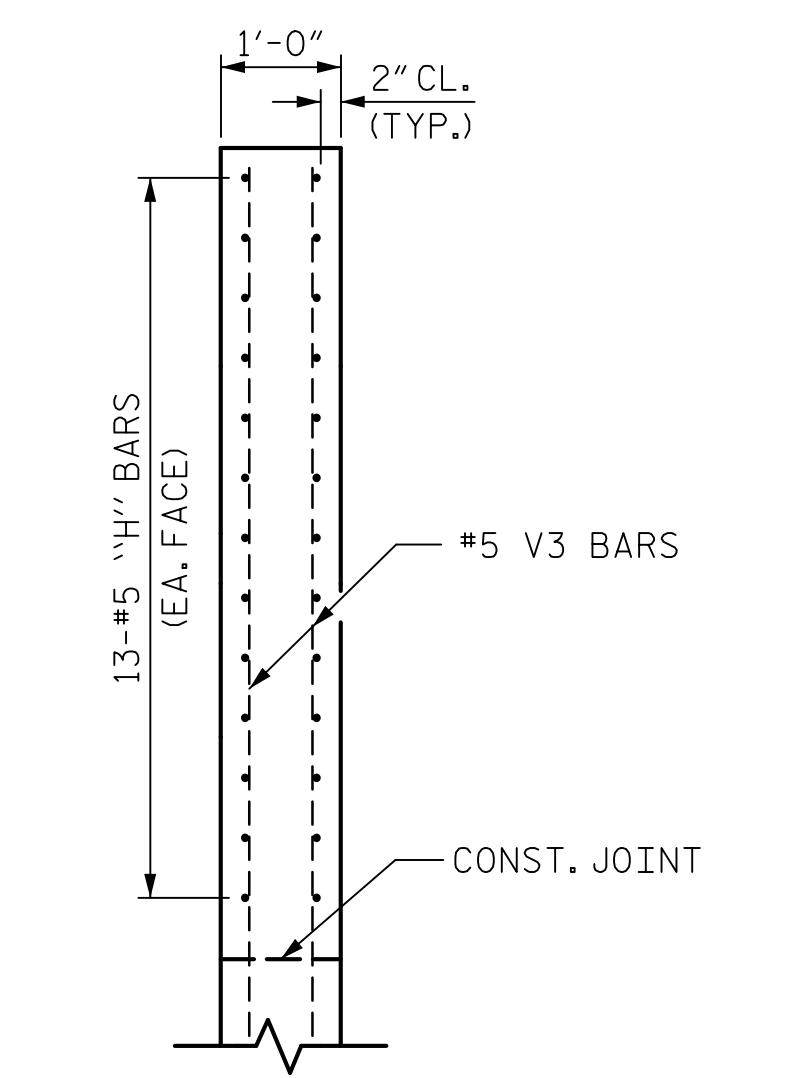


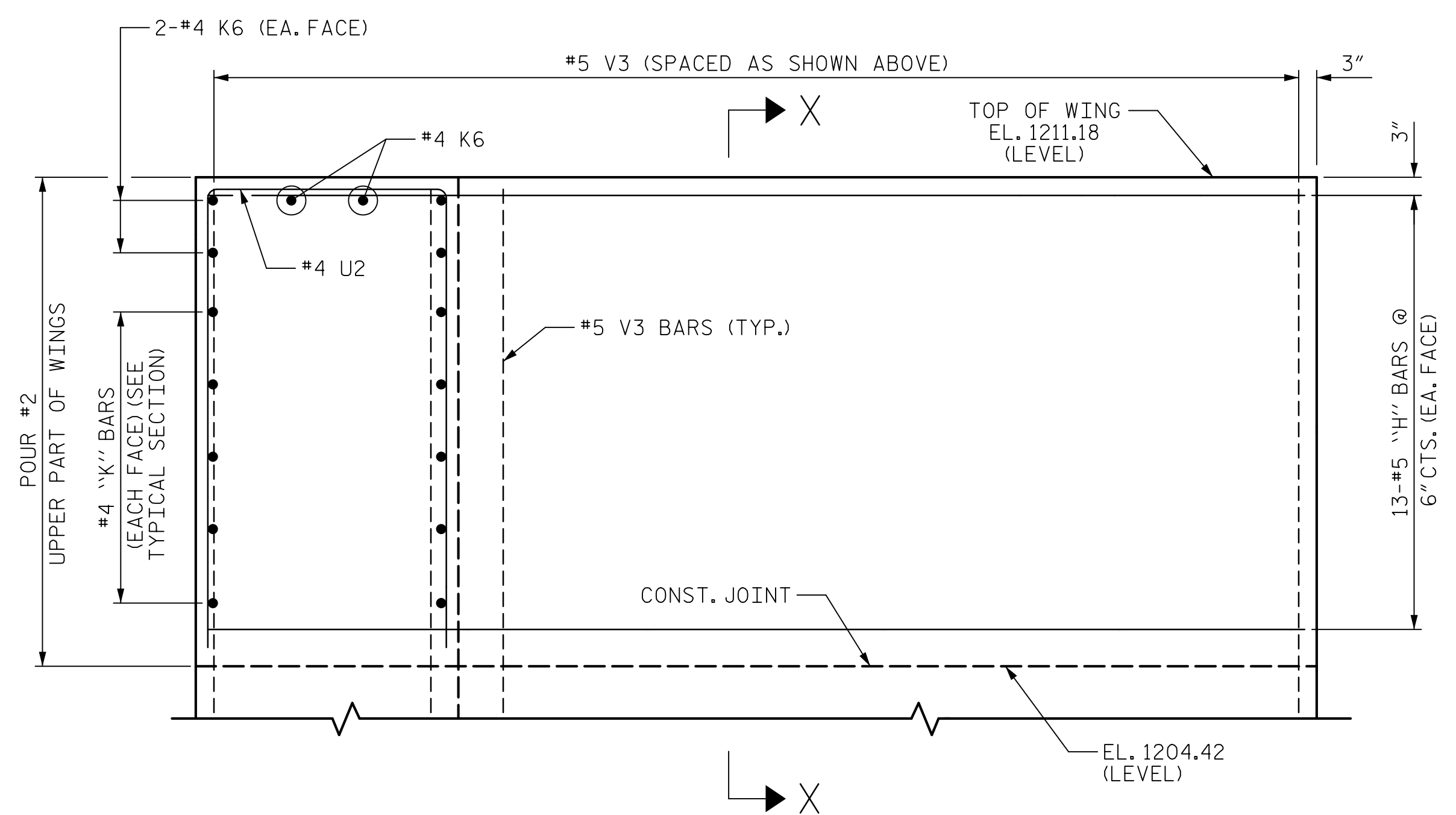
PLAN - TOP OF WING (W3)



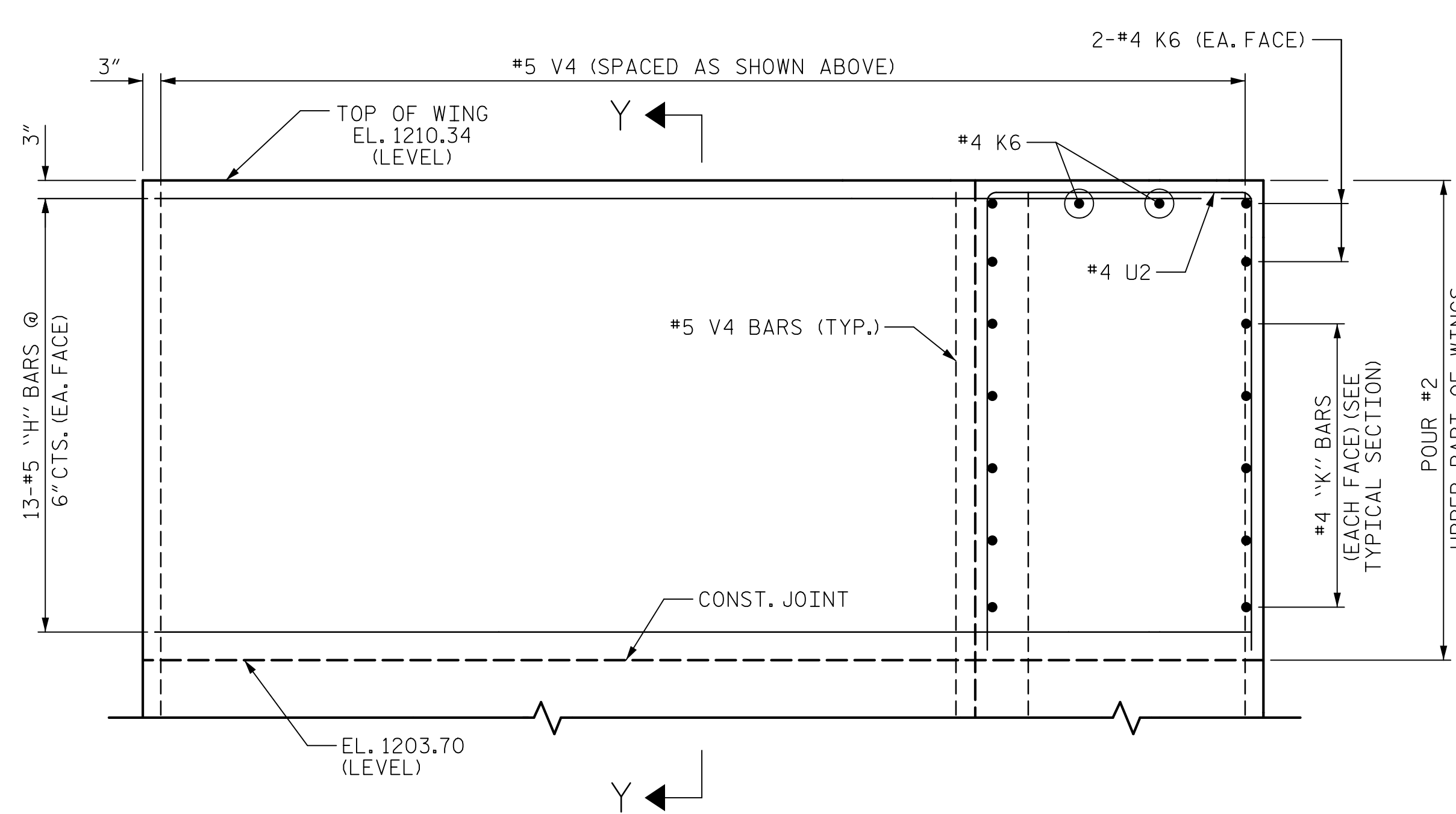
PLAN - TOP OF WING (W4)



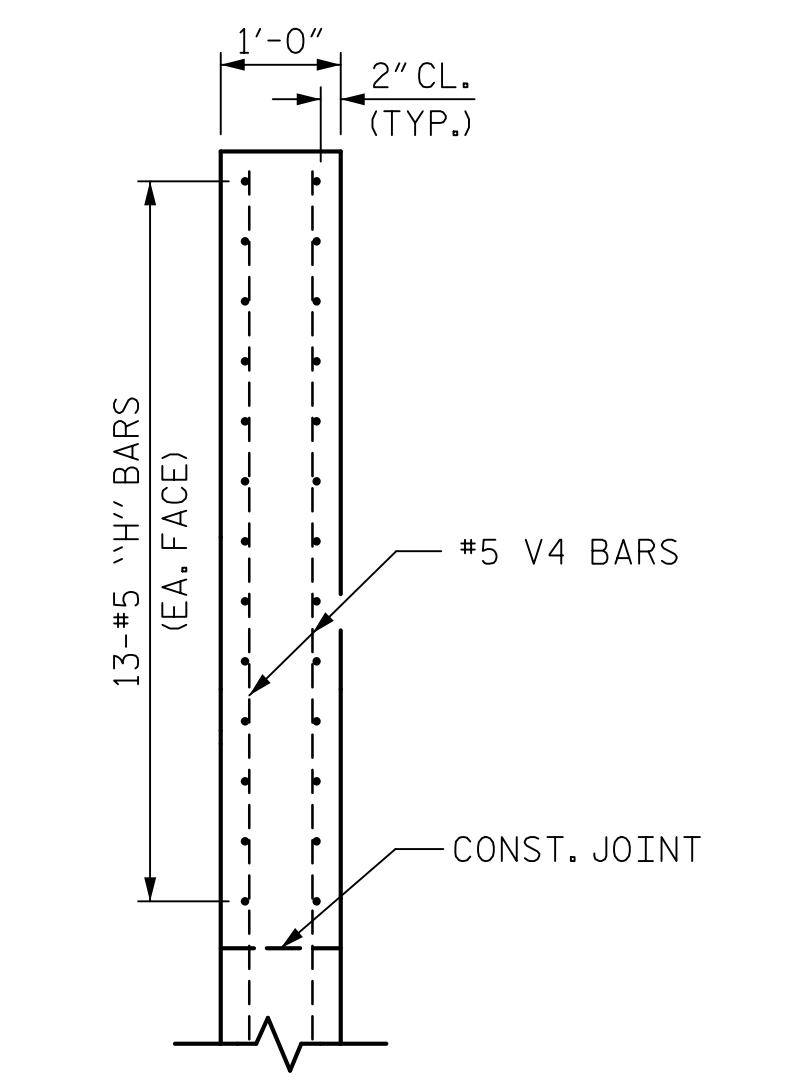
SECTION X-X



ELEVATION - TOP OF WING (W3)



ELEVATION - TOP OF WING (W4)



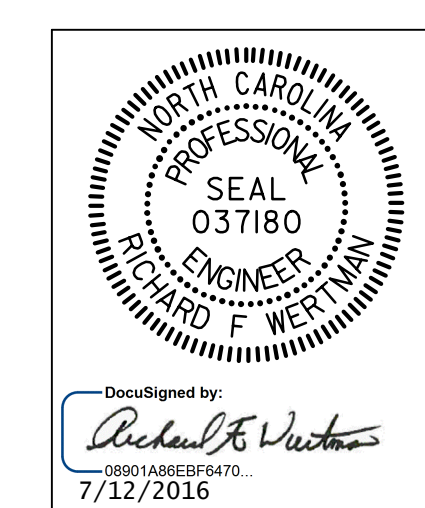
SECTION Y-Y

NOTES:
 THE UPPER PART OF THE WINGS (POUR #2)
 SHALL BE POURED AFTER THE SUPERSTRUCTURE.

PROJECT NO. B-4447
 BURKE COUNTY
 STATION: 25+85.40 -L-
 15+67.23 -Y-
 SHEET 3 OF 4

DRAWN BY: T.J. KIRSCHBAUM DATE: 2/2/16
 CHECKED BY: R.F. WERTMAN DATE: 4/6/16
 DESIGN ENGINEER OF RECORD: R.F. WERTMAN DATE: 4/6/16

PLANS PREPARED BY:
Gannett Fleming
 Excellence Delivered As Promised
 2610 Wycliff Road
 Suite 102
 Raleigh, NC 27607-3073
 (919) 420-7660
 NC Lic. No. F-0270



DOCUMENT NOT CONSIDERED
 FINAL UNLESS ALL
 SIGNATURES COMPLETED

STATE OF NORTH CAROLINA DEPARTMENT OF TRANSPORTATION RALEIGH						SHEET NO. S01-23
SUBSTRUCTURE INTEGRAL END BENT #2 WESTBOUND LANE						
REVISIONS						TOTAL SHEETS 28
NO.	BY:	DATE:	NO.	BY:	DATE:	
1			3			
2			4			