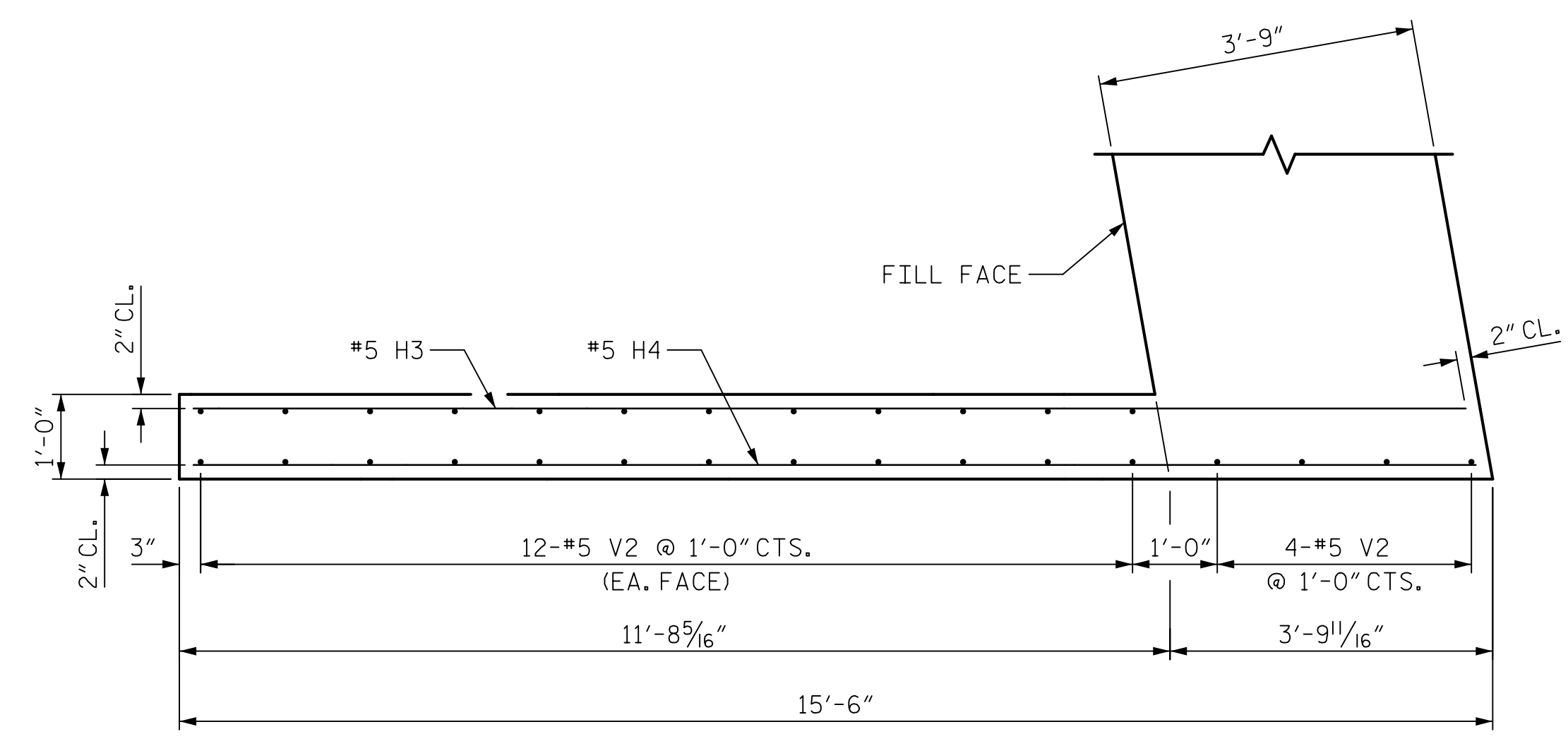
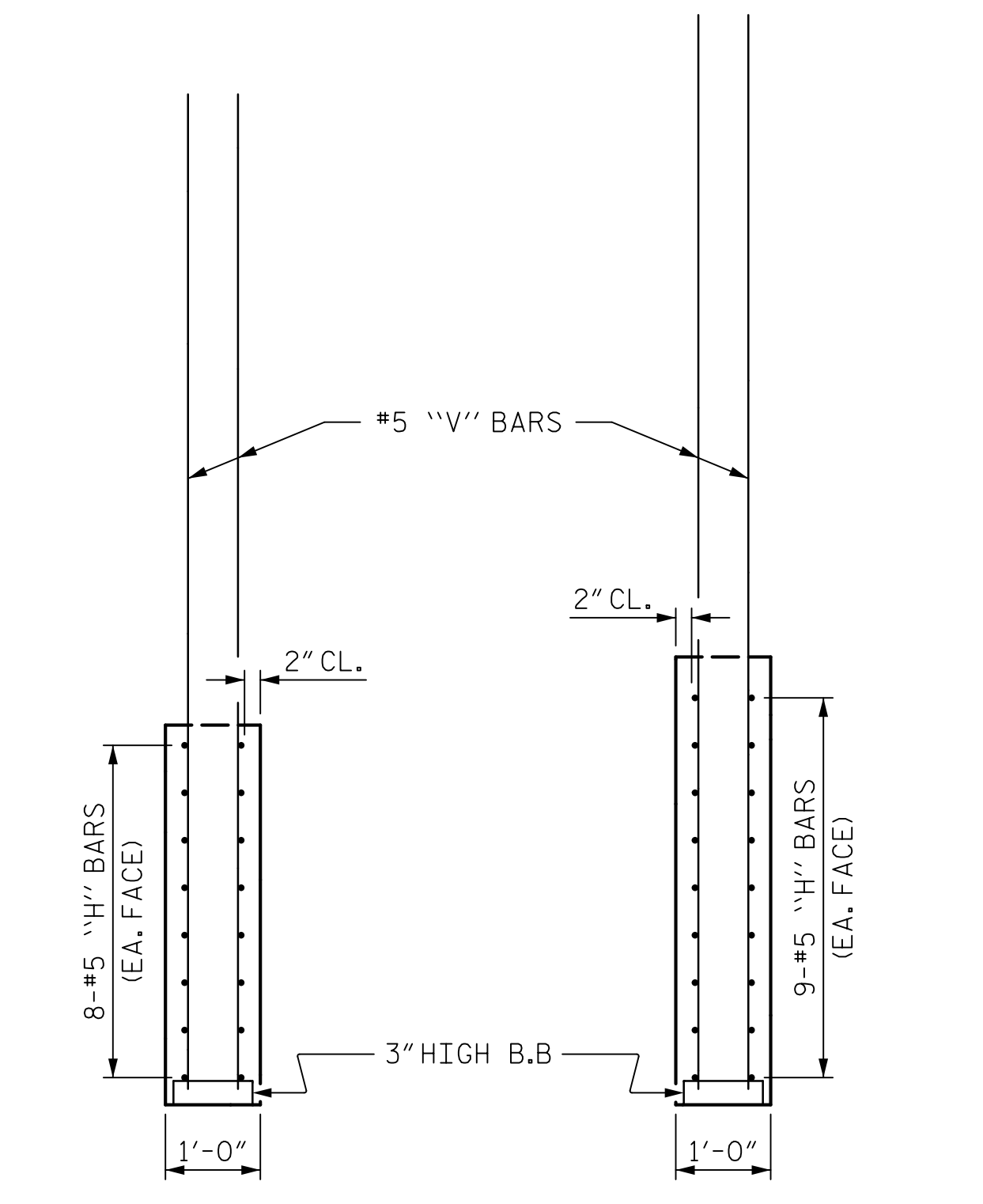


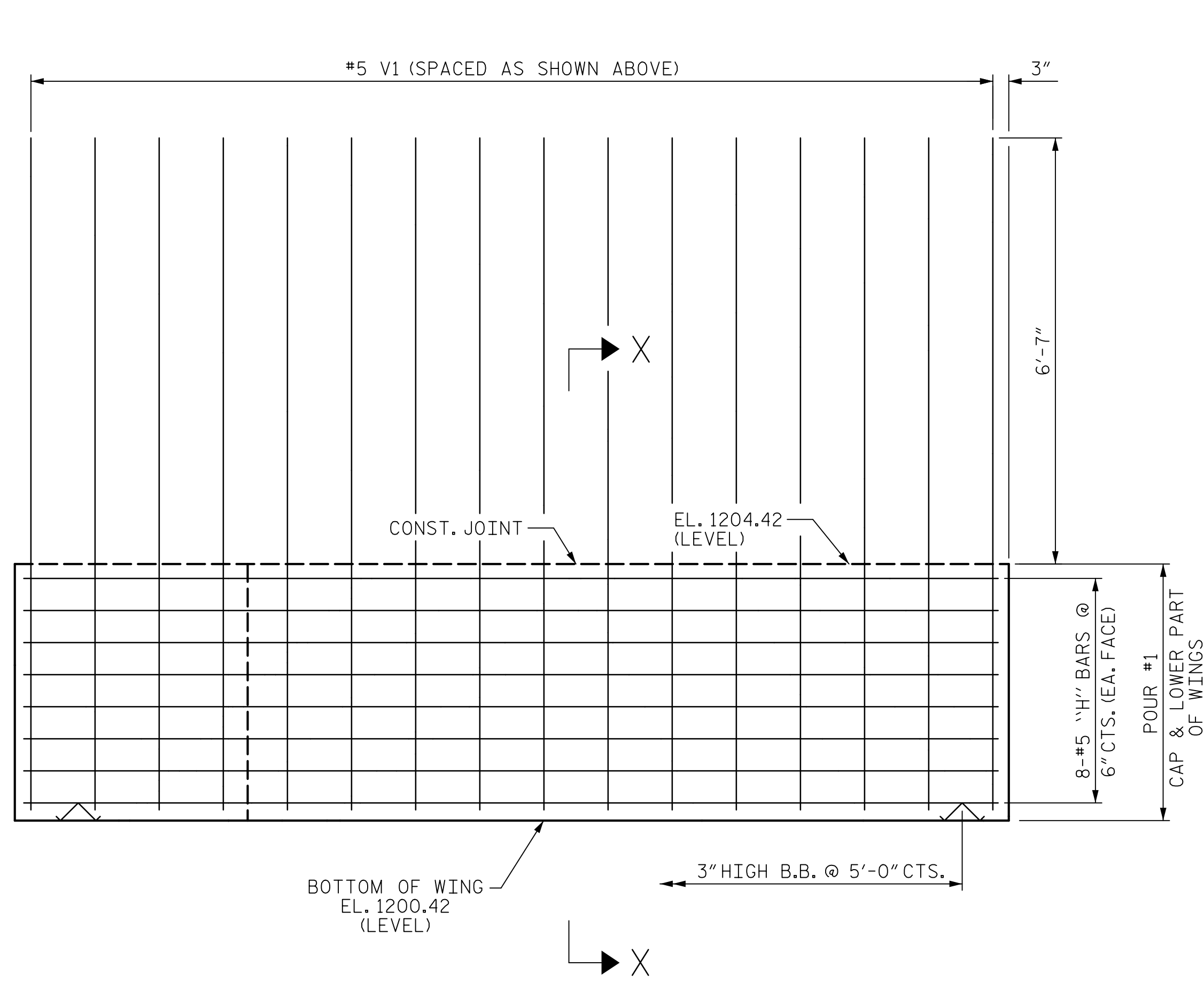
PLAN - BOTTOM OF WING (W1)



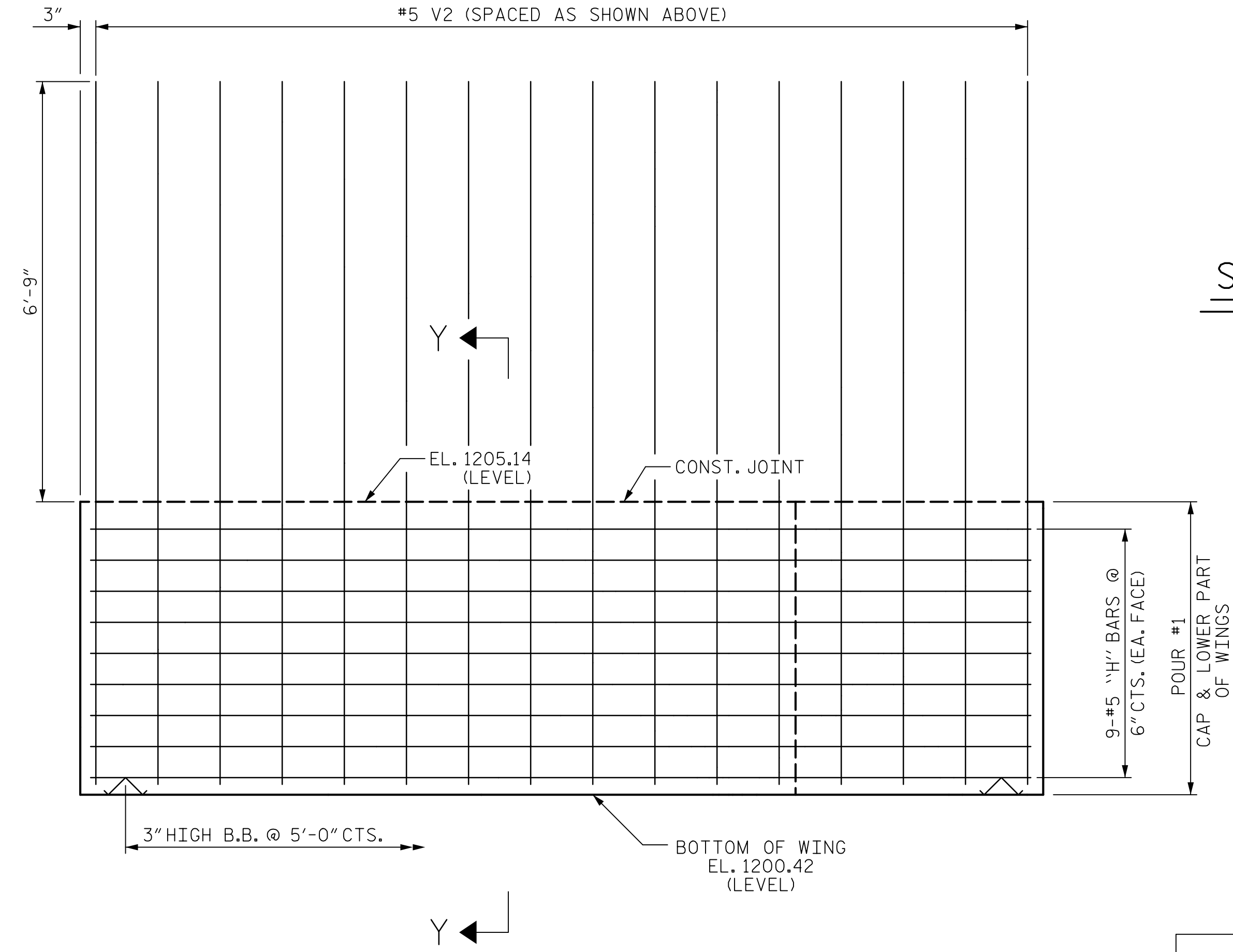
PLAN - BOTTOM OF WING (W2)



SECTION X-X SECTION Y-Y

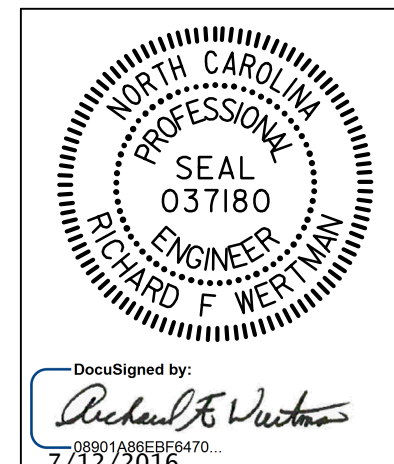


ELEVATION - BOTTOM OF WING (W1)



ELEVATION - BOTTOM OF WING (W2)

PROJECT NO. B-4447
 BURKE COUNTY
 STATION: 25+85.40 -L-
 15+67.23 -Y-
 SHEET 2 OF 4



STATE OF NORTH CAROLINA
 DEPARTMENT OF TRANSPORTATION
 RALEIGH
 SUBSTRUCTURE
 INTEGRAL
 END BENT #1
 WESTBOUND LANE

DRAWN BY : T.J. KIRSCHBAUM DATE : 2/2/16
 CHECKED BY : R.F. WERTMAN DATE : 4/6/16
 DESIGN ENGINEER OF RECORD : R.F. WERTMAN DATE : 4/6/16

PLANS PREPARED BY:
Gannett Fleming
 Excellence Delivered As Promised
 2610 Wycliff Road
 Suite 102
 Raleigh, NC 27607-3073
 (919) 420-7660
 NC Lic. No. F-0270

DOCUMENT NOT CONSIDERED
 FINAL UNLESS ALL
 SIGNATURES COMPLETED

REVISIONS						SHEET NO.
NO.	BY:	DATE:	NO.	BY:	DATE:	S01-18
1			3			TOTAL SHEETS
2			4			28