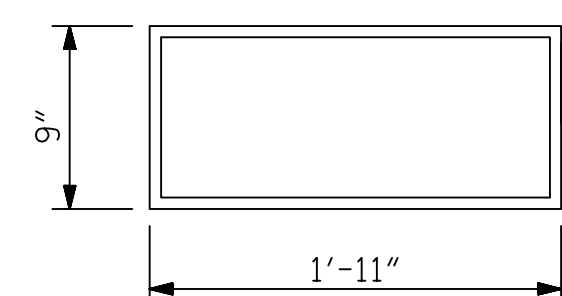
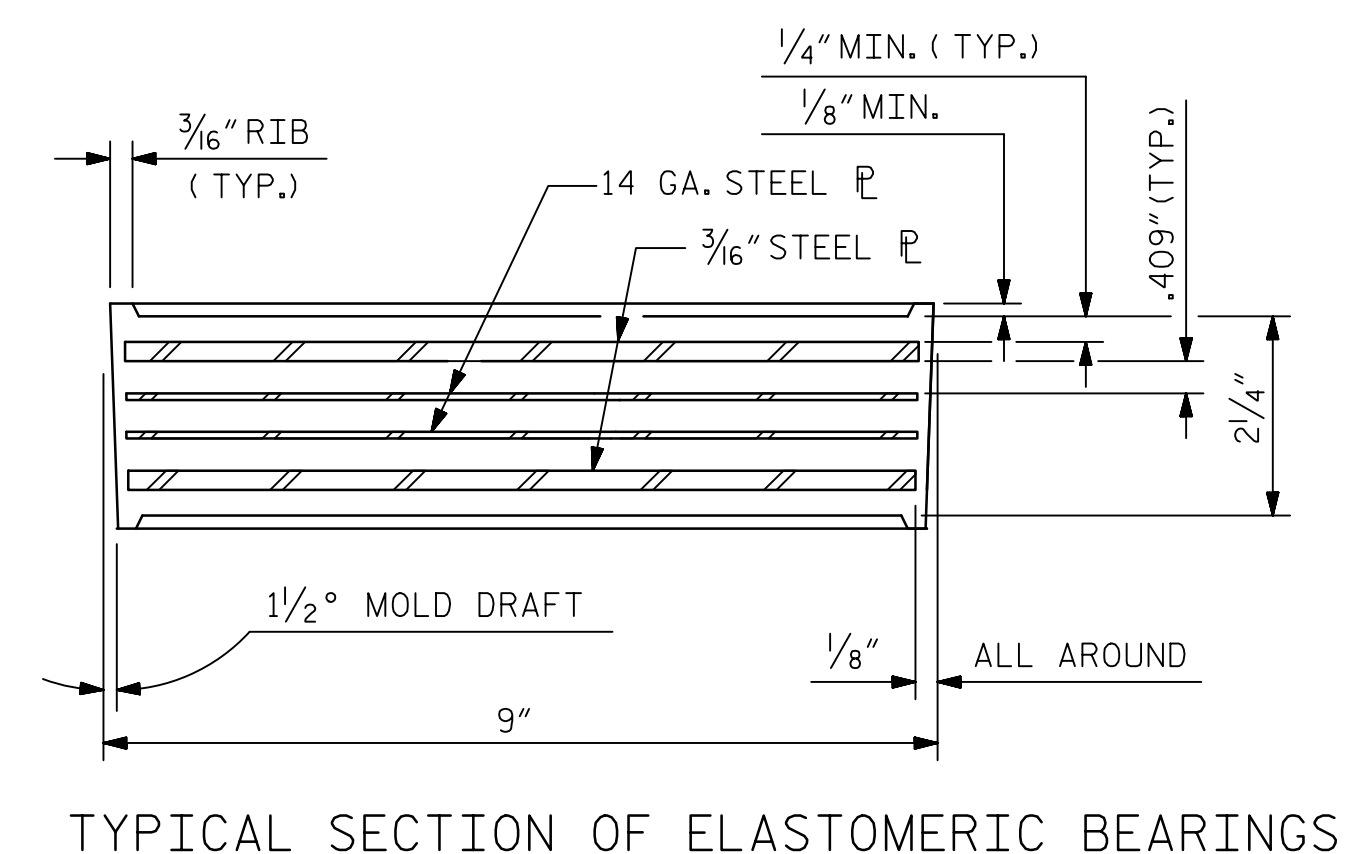
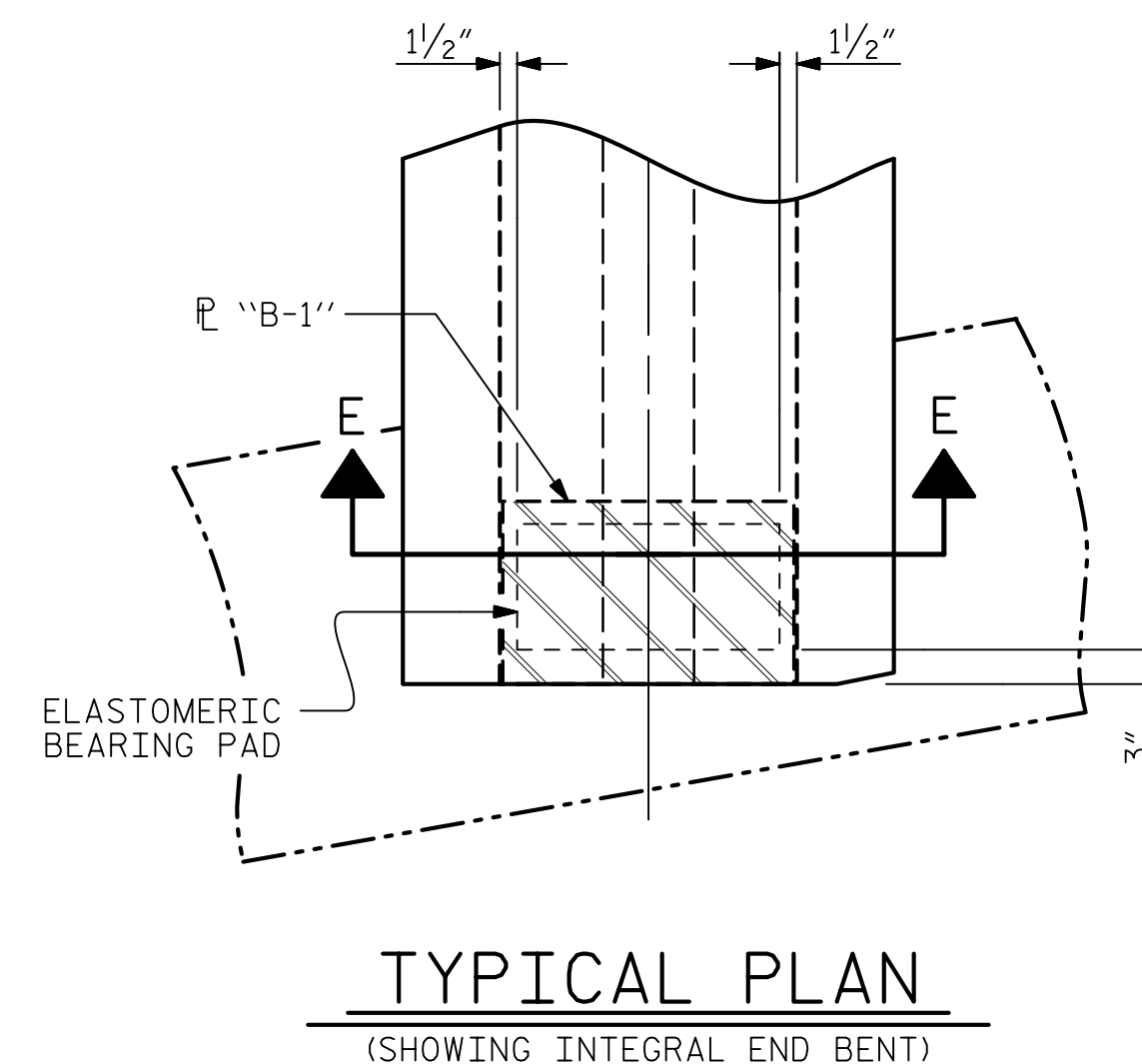
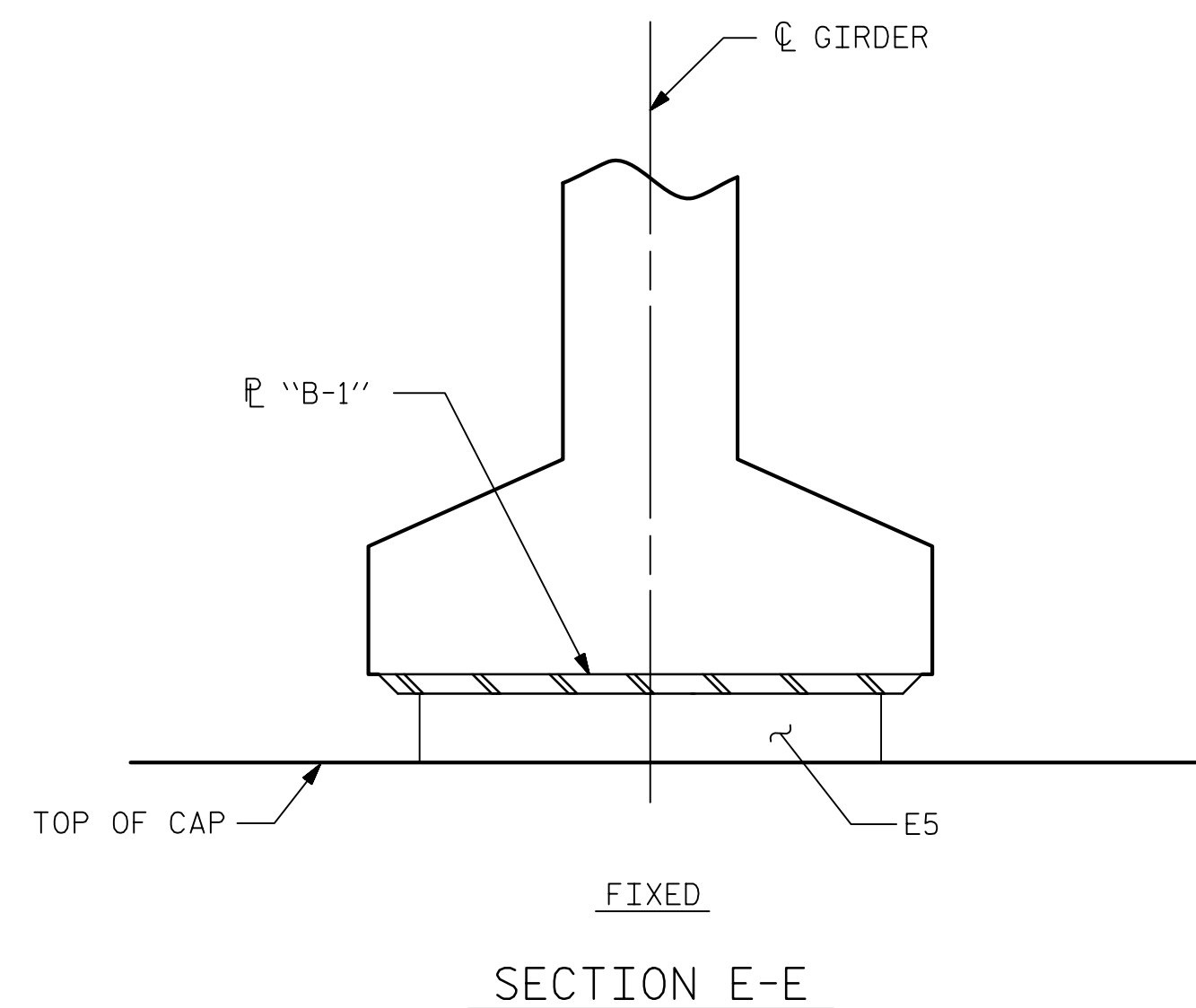


NOTES

ALL SURFACES OF BEARING PLATES SHALL BE SMOOTH AND STRAIGHT.

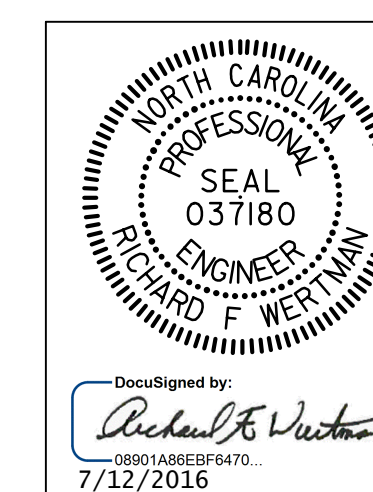
THE ELASTOMER IN THE STEEL REINFORCED BEARINGS SHALL HAVE A SHEAR MODULUS OF 0.160 KSI, IN ACCORDANCE WITH AASHTO M251.

FOR STEEL REINFORCED ELASTOMERIC BEARINGS, SEE SPECIAL PROVISIONS.



E5 (10 REQ'D)
 PLAN VIEW OF ELASTOMERIC BEARING
 TYPE V

PROJECT NO. B-4447
BURKE COUNTY
 STATION: 25+85.40 -L-
15+67.23 -Y-



STATE OF NORTH CAROLINA
 DEPARTMENT OF TRANSPORTATION
 RALEIGH
 STANDARD
 ELASTOMERIC BEARING
 DETAILS
 PRESTRESSED CONCRETE GIRDER
 SUPERSTRUCTURE
 WESTBOUND LANE

REVISIONS						SHEET NO.
NO.	BY:	DATE:	NO.	BY:	DATE:	S01-13
1			3			TOTAL SHEETS
2			4			28

ASSEMBLED BY : T.J. KIRSCHBAUM	DATE : 10/9/15
CHECKED BY : A.J. FORFA	DATE : 12/15/15
DRAWN BY : EEM 2/97	REV. 10/1/11 MAA/GM
CHECKED BY : VAP 2/97	REV. 6/13 AAC/MAA
	REV. 1/15 MAA/TMG

PLANS PREPARED BY:
Gannett Fleming
 Excellence Delivered *As Promised* **INC Lic. No. F-0270**

2610 Wycliff Road
 Suite 102
 Raleigh, NC 27607-3073
 (919) 420-7660

THESE PLANS HAVE BEEN PROPERLY EXAMINED BY THE UNDERSIGNED. I HAVE DETERMINED THAT THEY COMPLY WITH EXISTING NORTH CAROLINA CODES, AND HAVE BEEN PROPERLY ADAPTED FOR USE IN THIS AREA.

DOCUMENT NOT CONSIDERED FINAL UNLESS ALL SIGNATURES COMPLETED