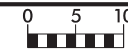


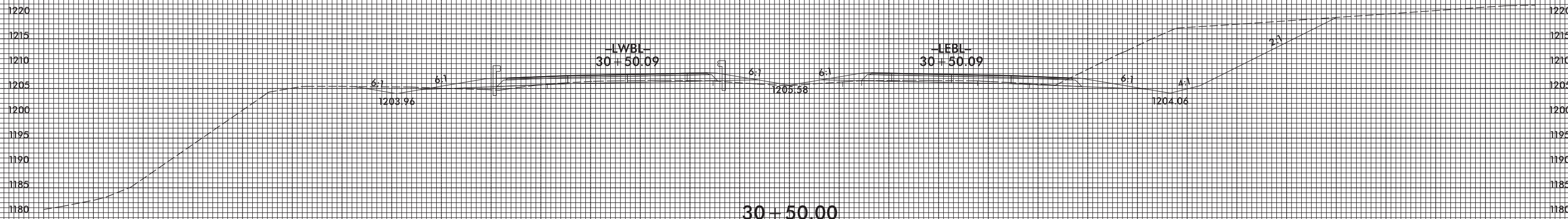
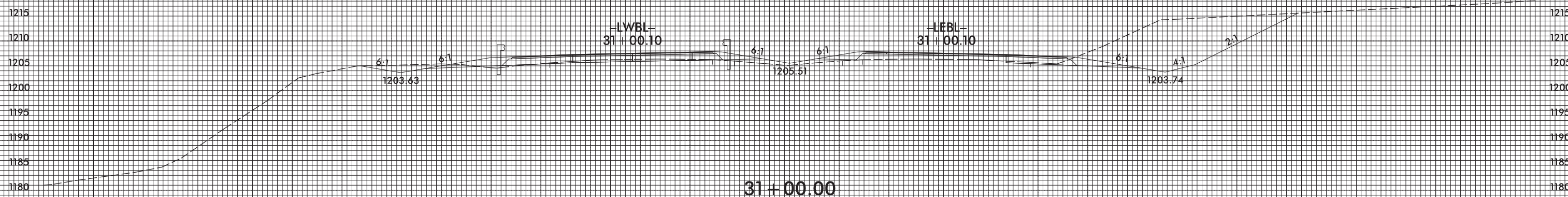
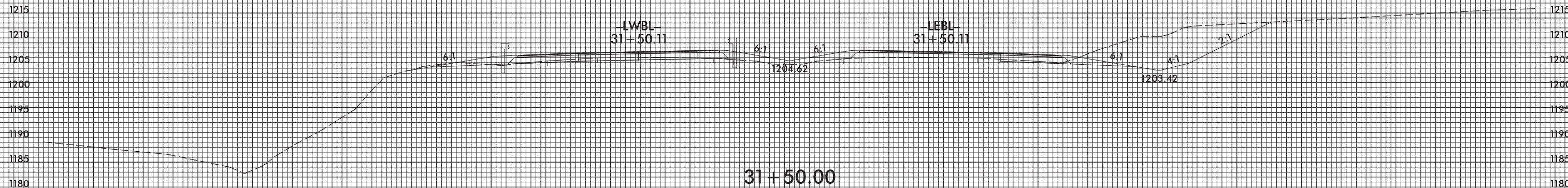
8/23/99



PROJ. REFERENCE NO.
B-4447

SHEET NO.
X-11

150 140 130 120 110 100 90 80 70 60 50 40 30 20 10 0 10 20 30 40 50 60 70 80 90 100 110 120 130 140 150



150 140 130 120 110 100 90 80 70 60 50 40 30 20 10 0 10 20 30 40 50 60 70 80 90 100 110 120 130 140 150

5/10/2017
I:\S:\B4447_Rdy_xpl_L.dgn
USER: KFS