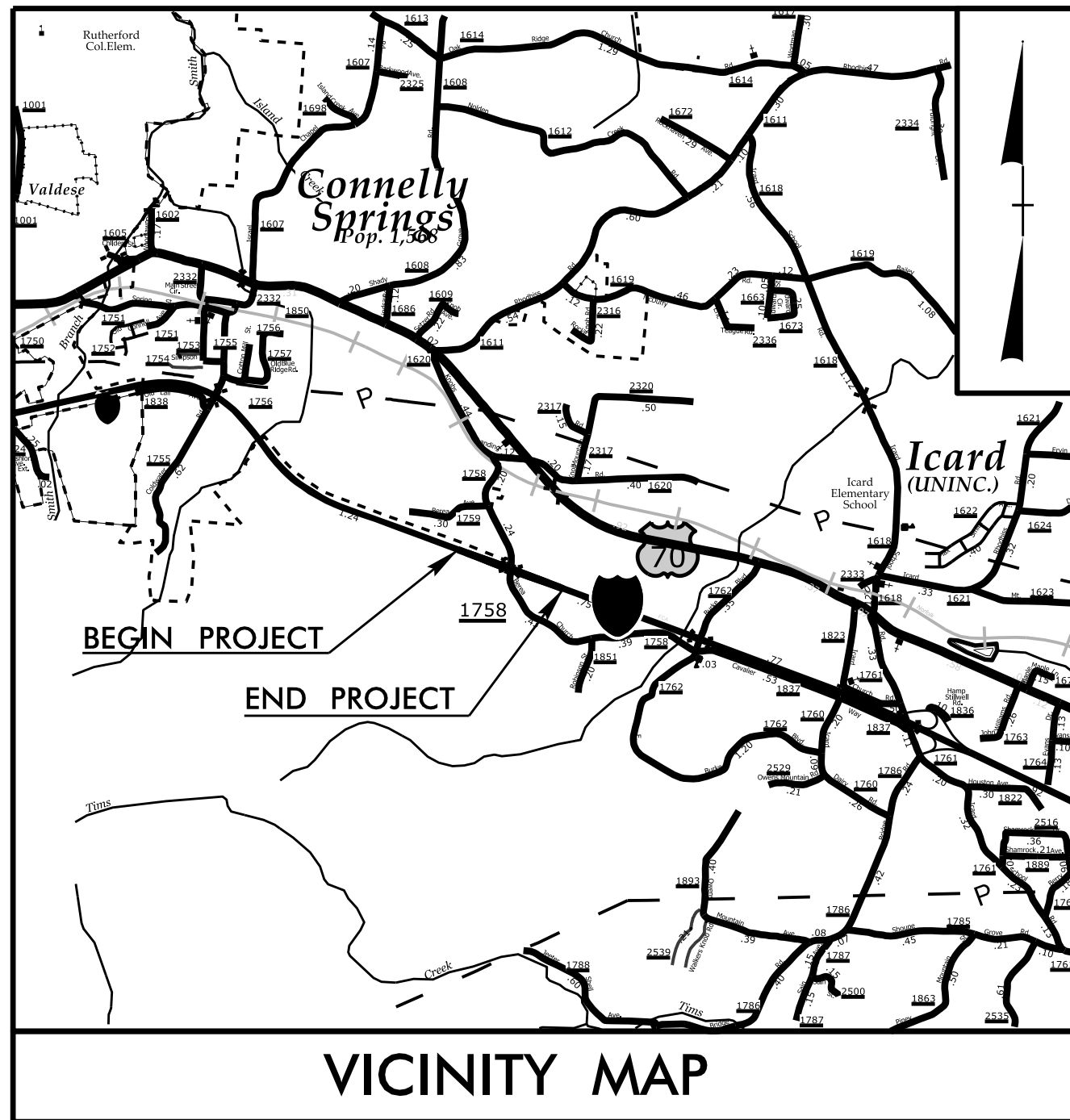


09.08/99

See Sheet 1-A For Index of Sheets



TIP PROJECT: B-4447

STATE OF NORTH CAROLINA
DIVISION OF HIGHWAYS

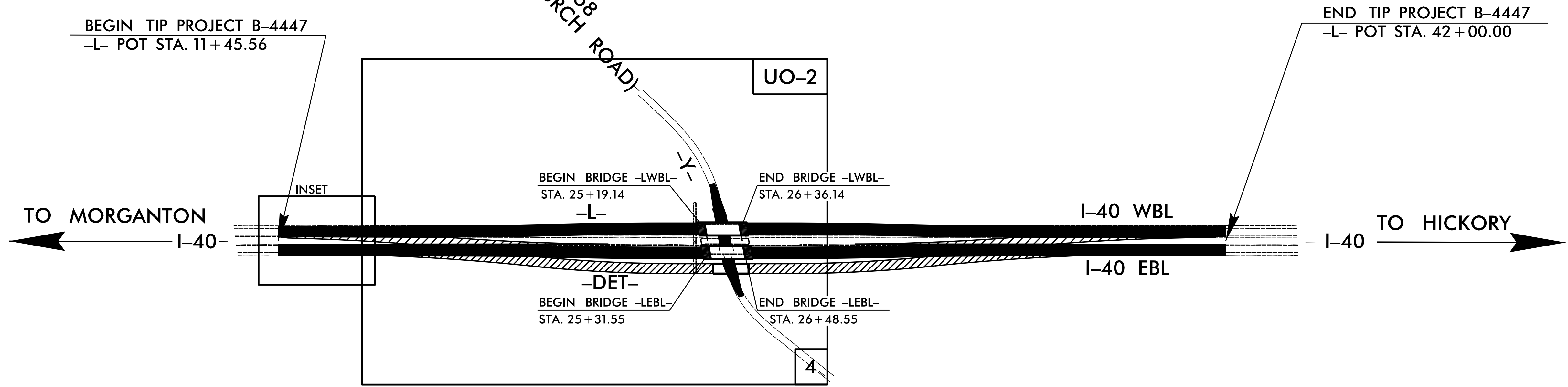
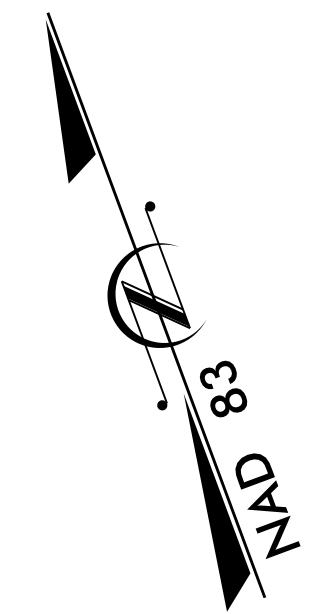
**UTILITIES BY OTHERS PLANS
BURKE COUNTY**

**LOCATION: BRIDGE NO. 160 & 162 ON I-40 OVER
SR 1758 (BEREA CHURCH ROAD)**

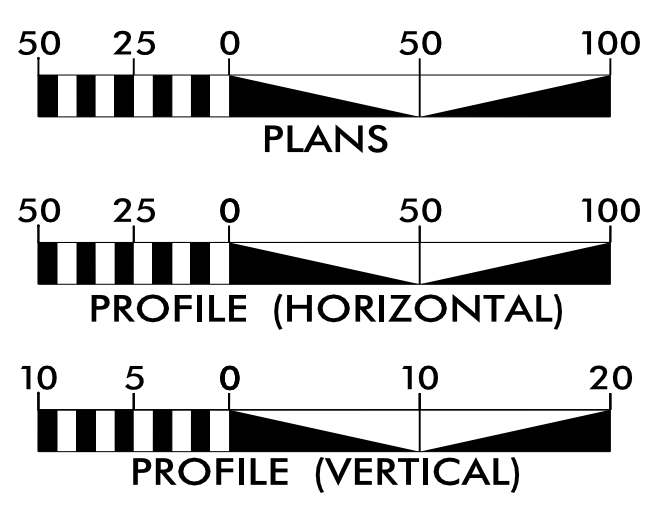
TYPE OF WORK: DISTRIBUTION POWER RELOCATION

T.I.P. NO.	SHEET NO.
B-4447	UO-1

NOTE:
ALL UTILITY WORK SHOWN ON THIS SHEET IS DONE BY OTHERS.
NO PAYMENT WILL BE MADE TO THE CONTRACTOR FOR UTILITY WORK SHOWN ON THIS SHEET.



GRAPHIC SCALES



INDEX OF SHEETS

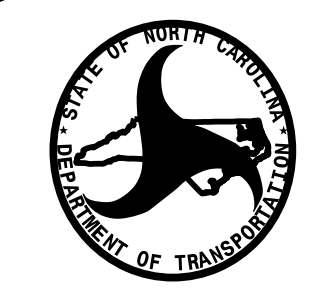
SHEET NO.:	DESCRIPTION:
UO-1	TITLE SHEET
UO-02	UBO PLAN SHEET

UTILITY OWNERS WITH CONFLICTS

- (A) POWER - DUKE ENERGY
- (B) WATER - ICARD WATER

PREPARED IN THE OFFICE OF:

M A Engineering Consultants, Inc. NC License: F-0160
598 East Chatham Street Suite 137 Cary, NC 27511
Phone: 919.297.0220 Fax: 919.297.0221



**DIVISION OF HIGHWAYS
UTILITIES UNIT**
1555 MAIL SERVICES CENTER
RALEIGH, NC 27699-1555
PHONE (919) 707-6690
FAX (919) 250-4151

WEBB WHITE PROJECT UTILITY COORDINATOR

- CARL BARCLAY, PE** WESTERN UTILITIES MANAGER
- JAMES SWINSON** UTILITIES ENGINEER
- AMY DUPREE** WESTERN COORDINATOR
- TODD LAPHAM** UTILITIES COORDINATOR

3/2/2017
E:\JOBS\0659\089\B4447\Utilities\B4447_ut_tsh_u01_psh.dgn
3:58:41 PM