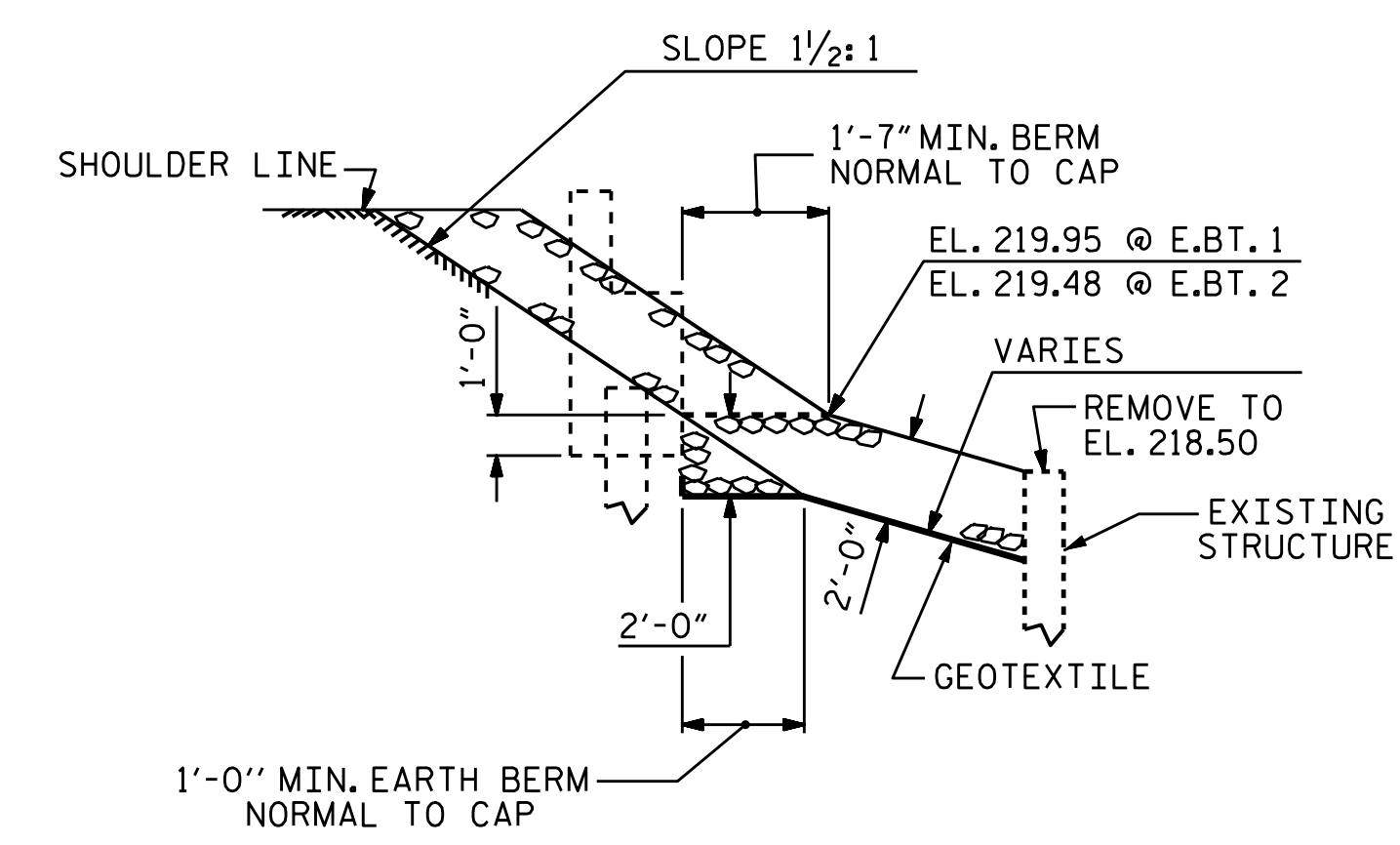
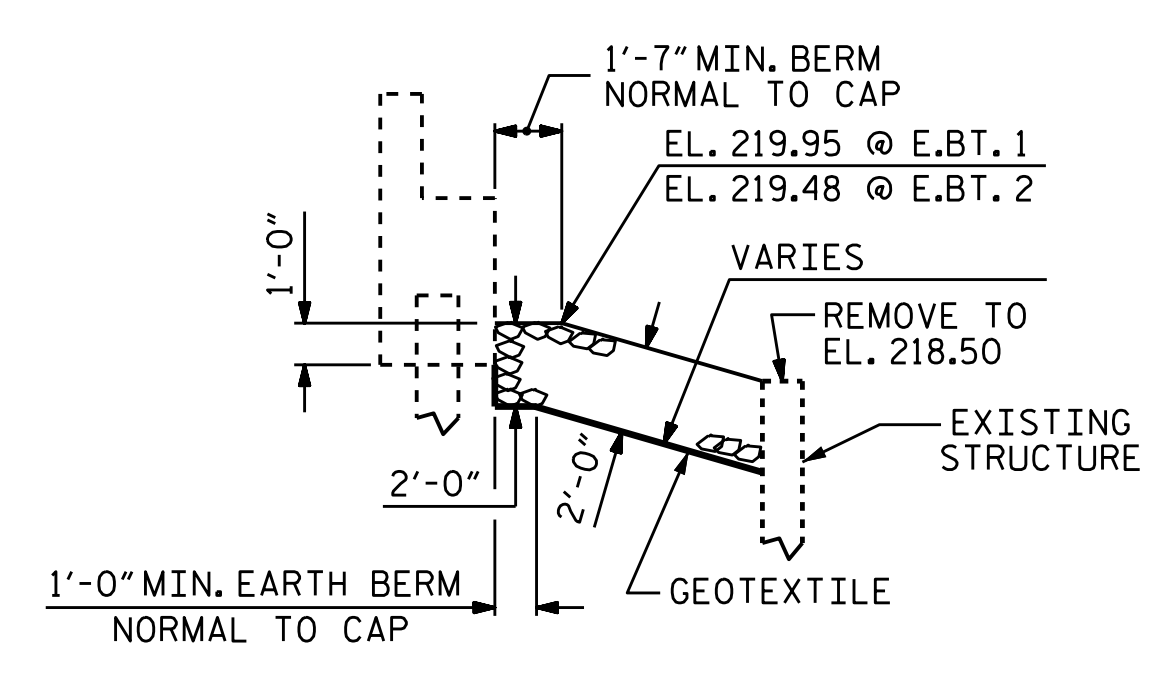


NOTES :
FOR BERM WIDTH DIMENSIONS, SEE GENERAL DRAWING.

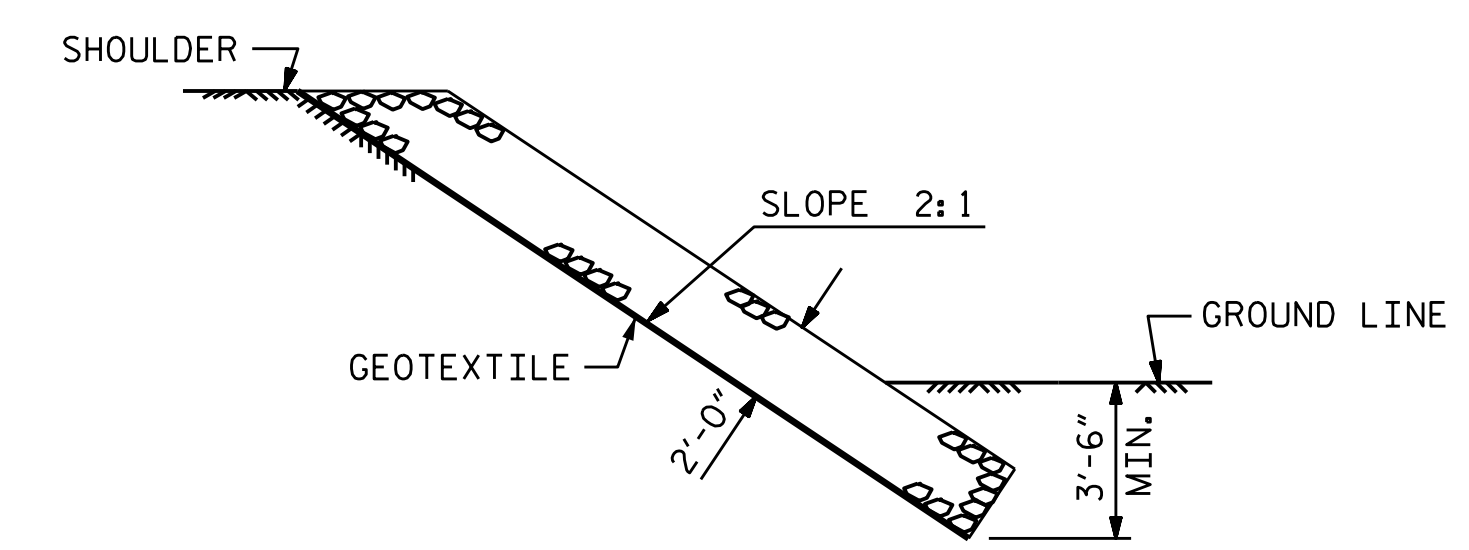
ESTIMATED QUANTITIES		
BRIDGE @ STA. 15+32.50 -L-	RIP RAP CLASS II (2'-0" THICK)	GEOTEXTILE FOR DRAINAGE
	TONS	SQUARE YARDS
END BENT 1	85	95
END BENT 2	100	110



SECTION H-H



SECTION C-C
BERM RIP RAPPED



SECTION C-C

PROJECT NO. B-4830
WAKE COUNTY
STATION: 15+32.50 -L-



STATE OF NORTH CAROLINA
DEPARTMENT OF TRANSPORTATION
RALEIGH
STANDARD
= RIP RAP DETAILS =

ASSEMBLED BY : D.A. DAVENPORT	DATE : 8/26/15
CHECKED BY : H.B. DESAI	DATE : 4/27/16
DRAWN BY : REK 1/84	REV. 5/1/06R TLA/GM
CHECKED BY : ROU 1/84	REV. 10/1/11 MAA/GM
	REV. 12/2/11 MAA/GM

DOCUMENT NOT CONSIDERED
FINAL UNLESS ALL
SIGNATURES COMPLETED

REVISIONS						SHEET NO.
NO.	BY:	DATE:	NO.	BY:	DATE:	S-15
1			3			TOTAL SHEETS 16
2			4			