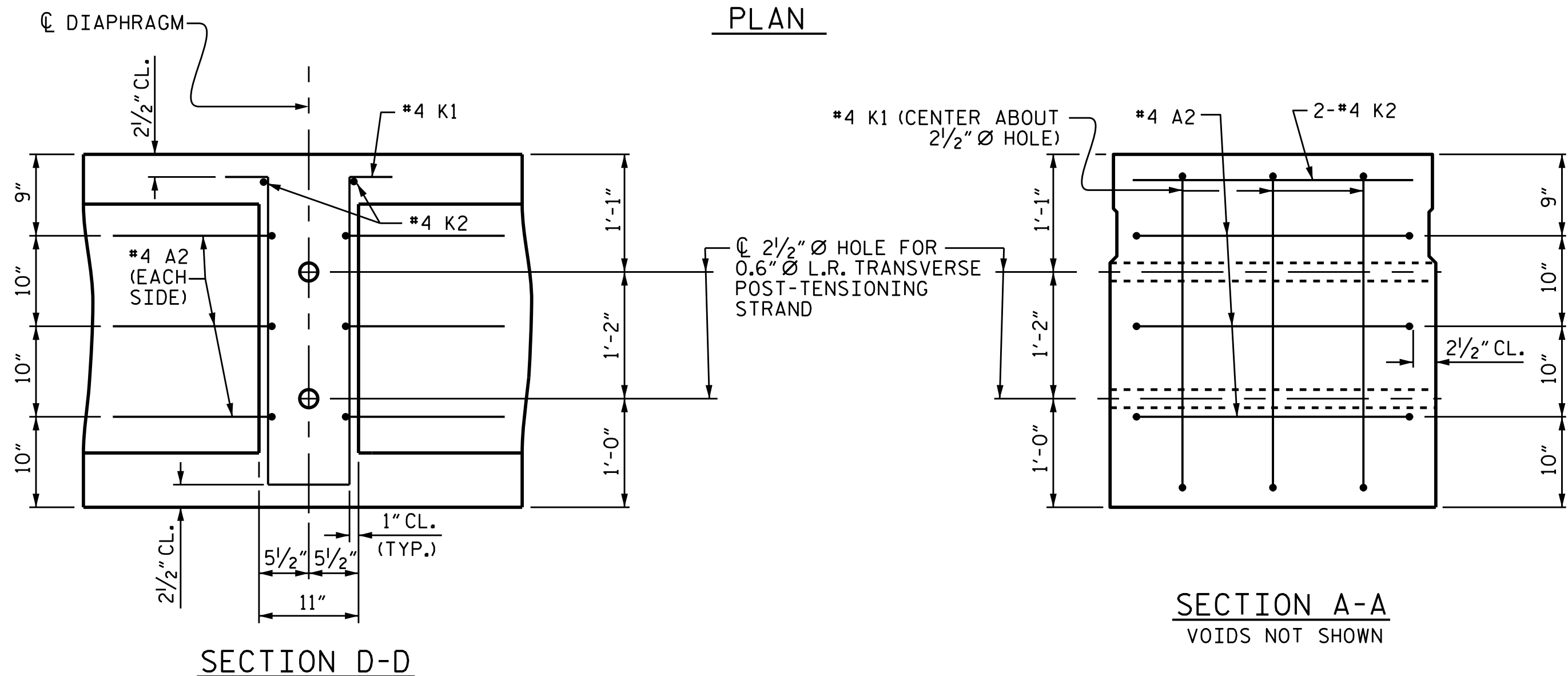


PLAN

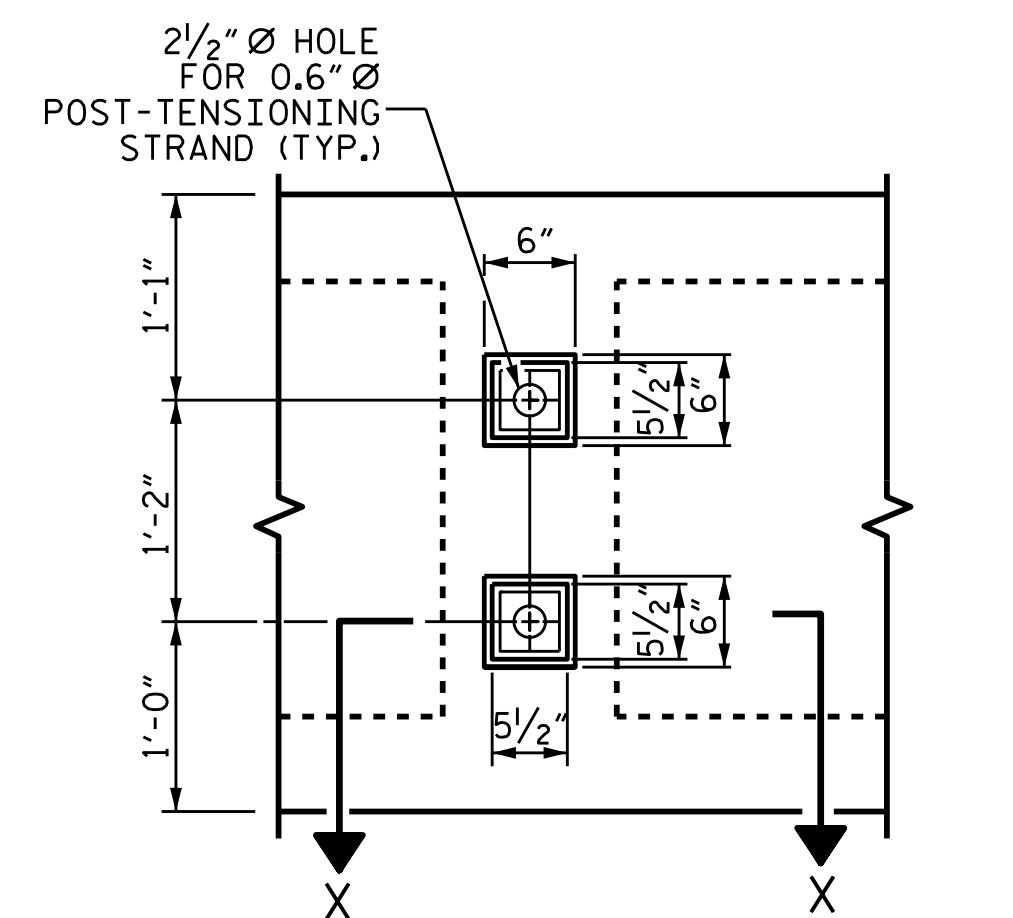


SECTION A-A  
VOIDS NOT SHOWN

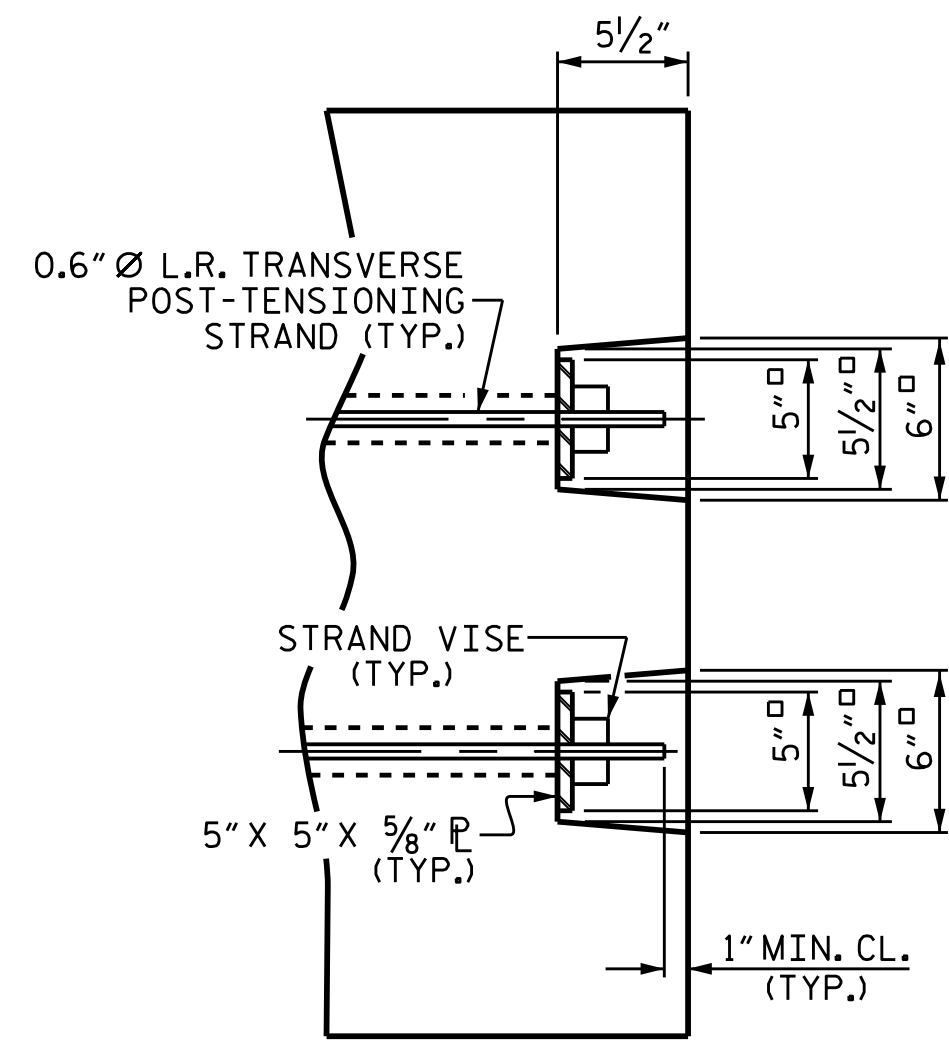
SECTION D-D

**DOUBLE DIAPHRAGM DETAILS**

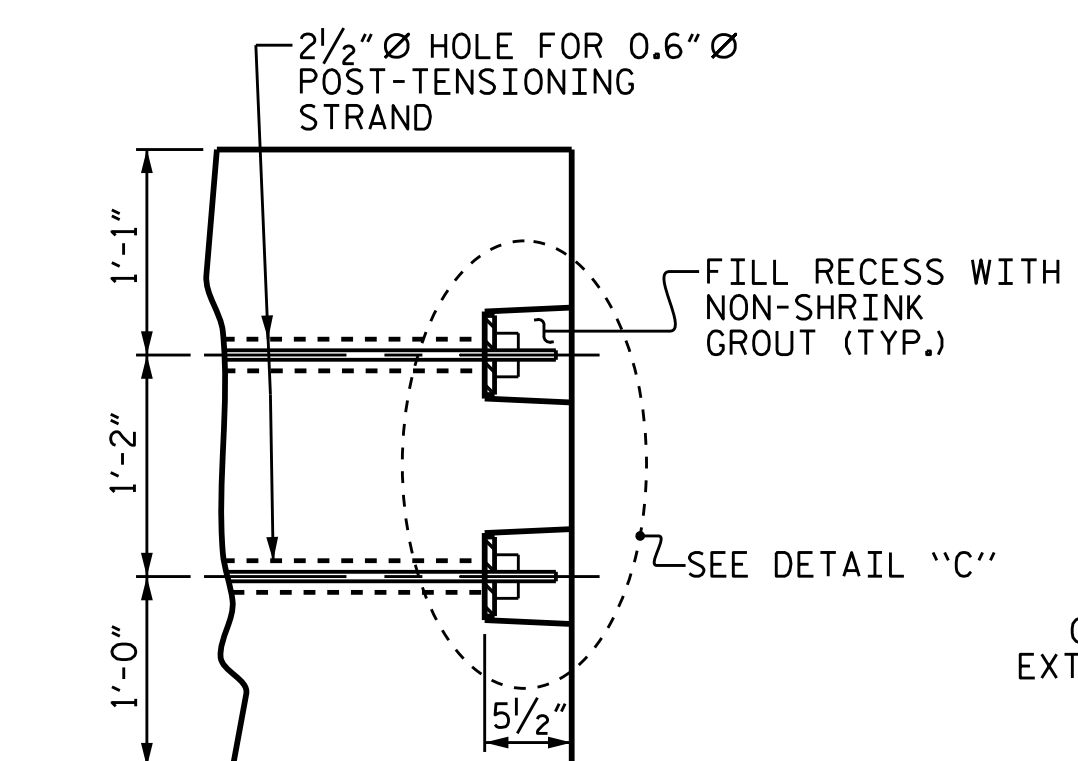
#4 "S" BARS NOT SHOWN. #4 "S" BARS MAY BE SHIFTED SLIGHTLY TO CLEAR 2 1/2" Ø HOLE.



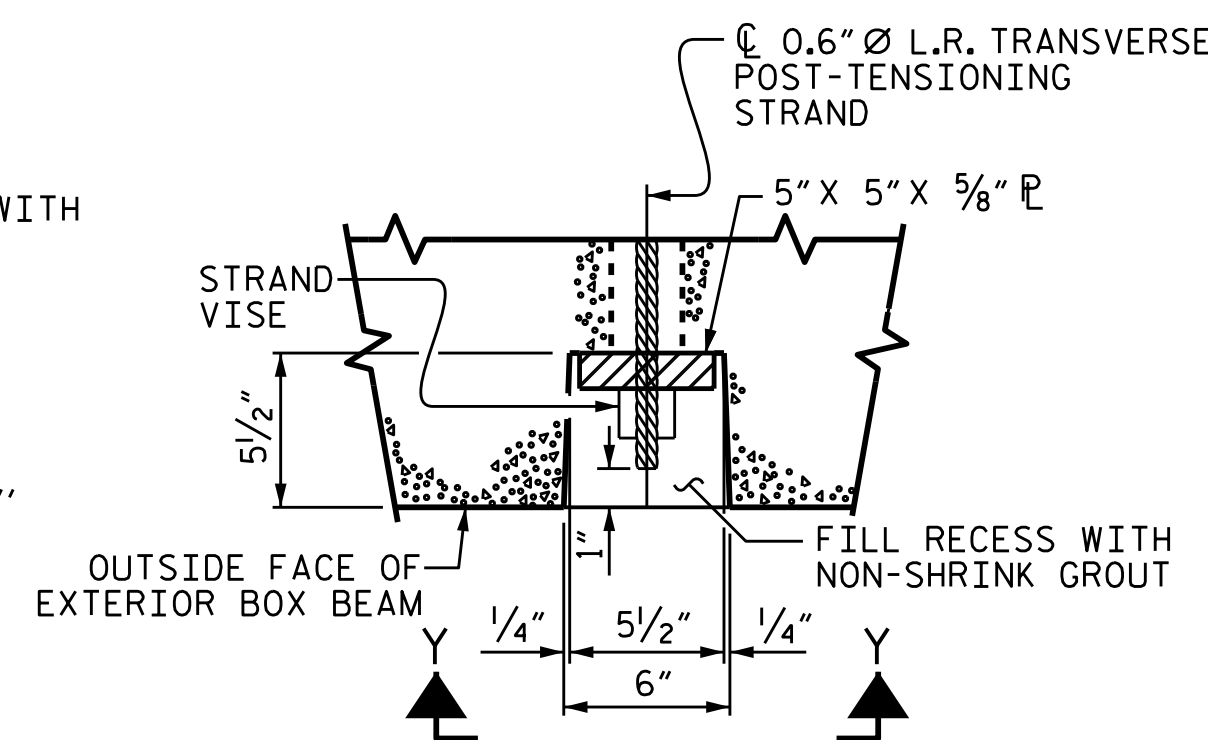
VIEW Y-Y  
SHOWING ELEVATION VIEW OF GROUTED RECESS



DETAIL "C"

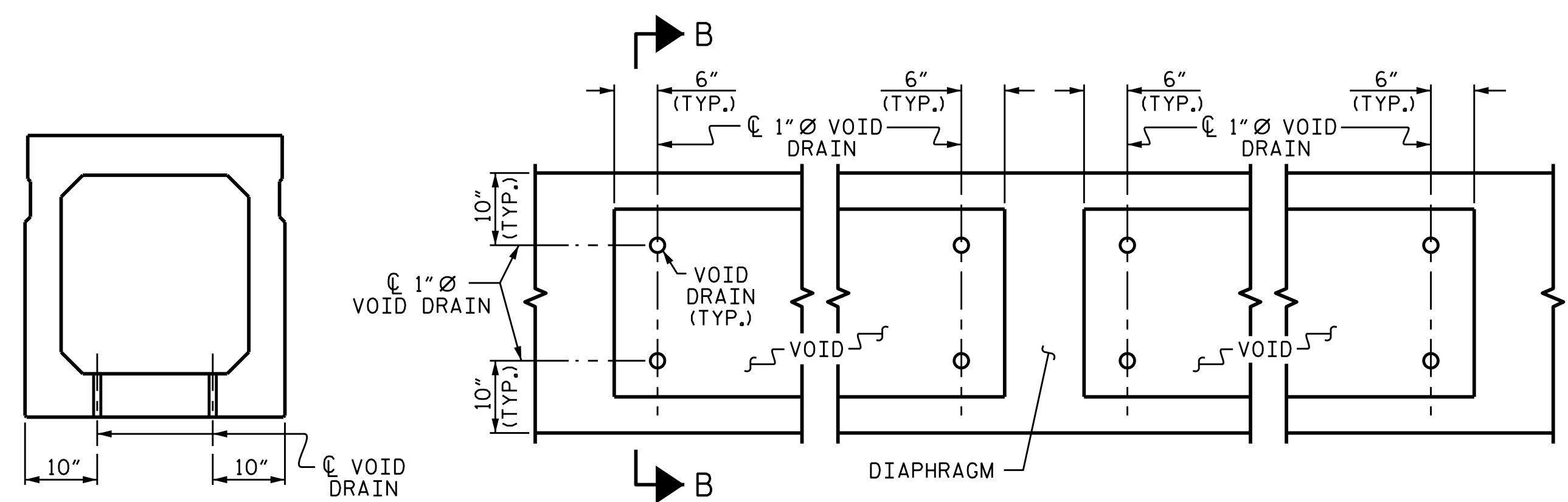


PART SECTION AT RECESS



SECTION X-X  
SHOWING PLAN VIEW OF GROUTED RECESS

**GROUTED RECESS DETAIL AT  
END OF POST-TENSIONED STRANDS  
OF EXTERIOR BOX BEAM**



SECTION B-B

PART PLAN

**VOID DRAIN DETAILS**

(DIMENSIONS SHOWN ARE TYPICAL FOR EACH VOID)

DEAD LOAD DEFLECTION AND CAMBER	
105' BOX BEAM UNIT (NC)	3'-0" x 3'-3" 0.6" Ø L.R. STRAND
CAMBER (SLAB ALONE IN PLACE)	2 5/16" ↑
DEFLECTION DUE TO SUPERIMPOSED DEAD LOAD**	1 5/16" ↓
FINAL CAMBER	1" ↑

\*\* INCLUDES FUTURE WEARING SURFACE

PROJECT NO. B-4830  
WAKE COUNTY  
 STATION: 15+32.50 -L-

SHEET 4 OF 5



STATE OF NORTH CAROLINA  
 DEPARTMENT OF TRANSPORTATION  
 RALEIGH  
 3'-0" X 3'-3"  
 PRESTRESSED CONCRETE  
 BOX BEAM UNIT

ASSEMBLED BY : P.S. ADKINS	DATE : 4/10/14
CHECKED BY : J.K. BOWLES	DATE : 4/14/15
DRAWN BY : DGE II/II	ADDED 7/11/05
CHECKED BY : TMG II/II	REV. 5/1/06 TLA/GM
	REV. 10/1/11 MAA/GM

REVISIONS						SHEET NO. S-8
NO.	BY:	DATE:	NO.	BY:	DATE:	
1			3			TOTAL SHEETS 16
2			4			

DOCUMENT NOT CONSIDERED  
 FINAL UNLESS ALL  
 SIGNATURES COMPLETED