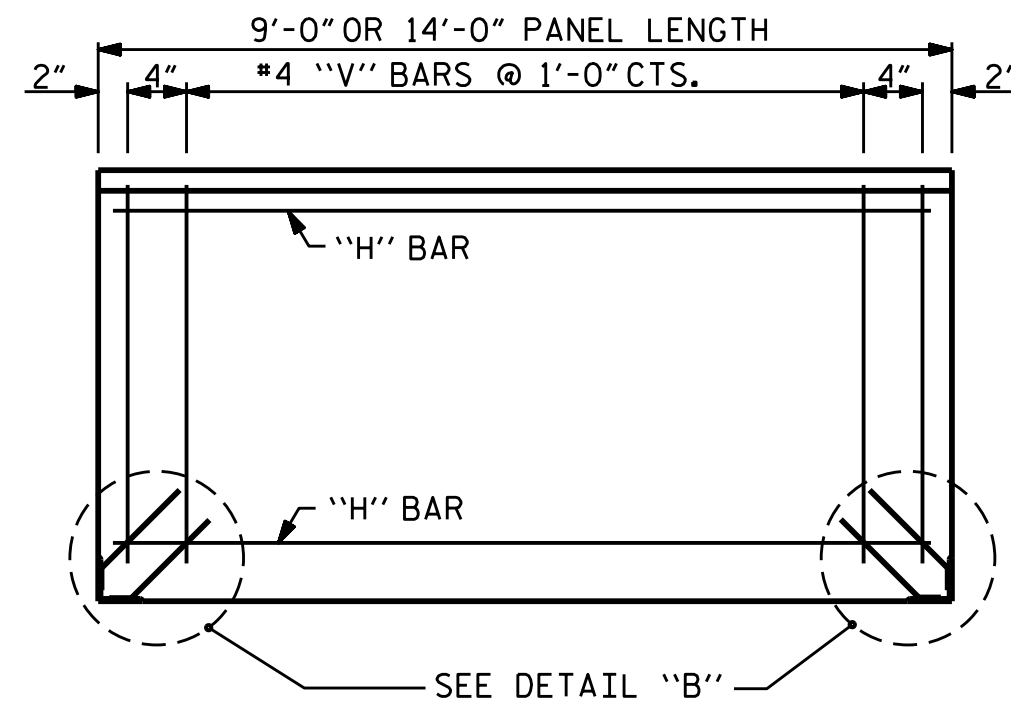


FRONT ELEVATION OF UPPER PRECAST PANELS



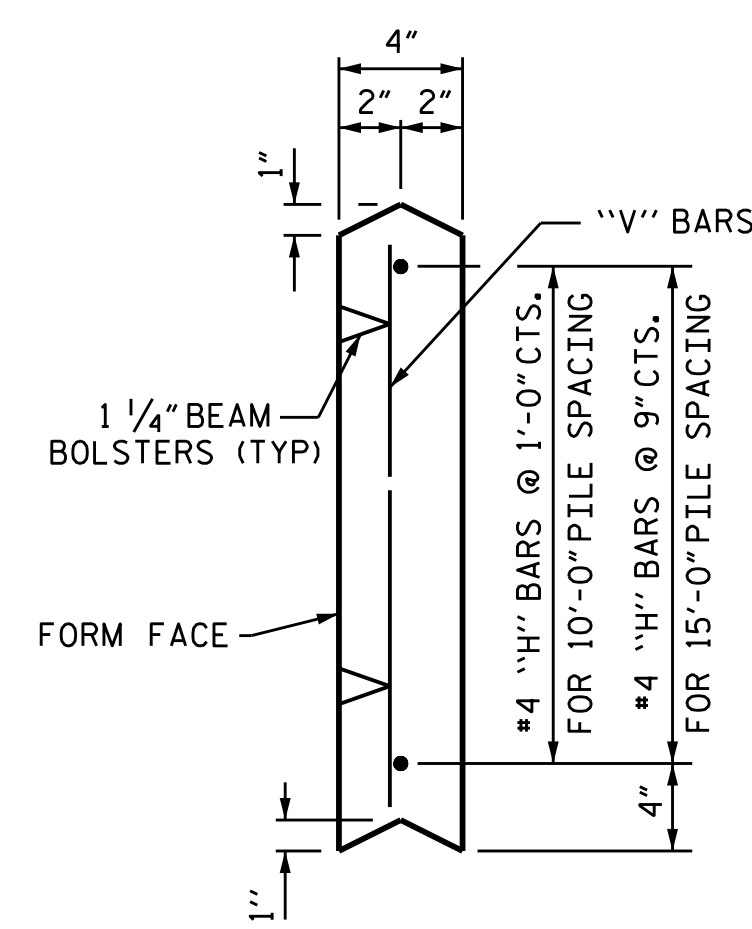
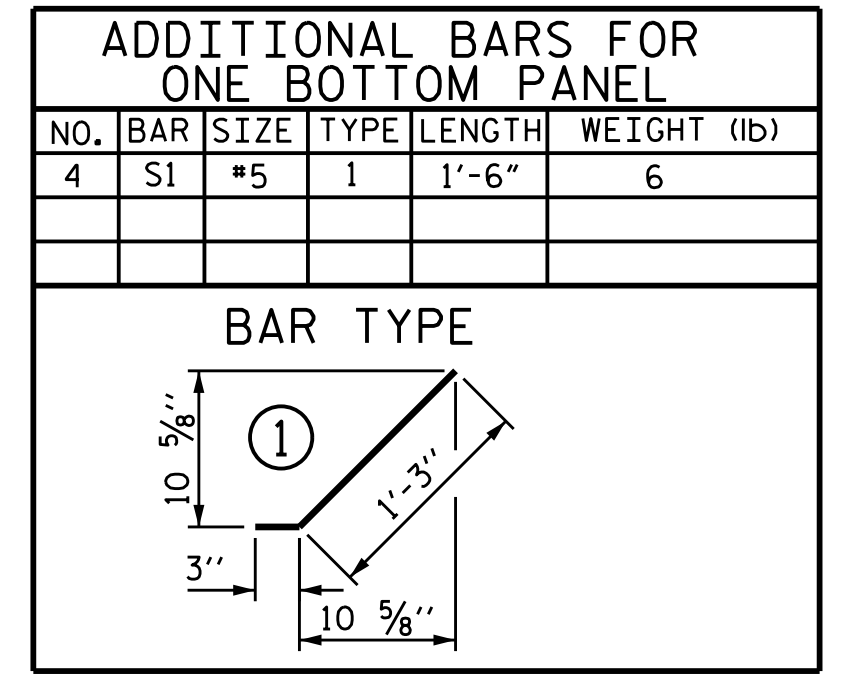
FRONT ELEVATION OF BOTTOM PRECAST PANEL

QUANTITIES FOR ONE PRECAST PANEL (FOR 10'-0" PILE SPACING)

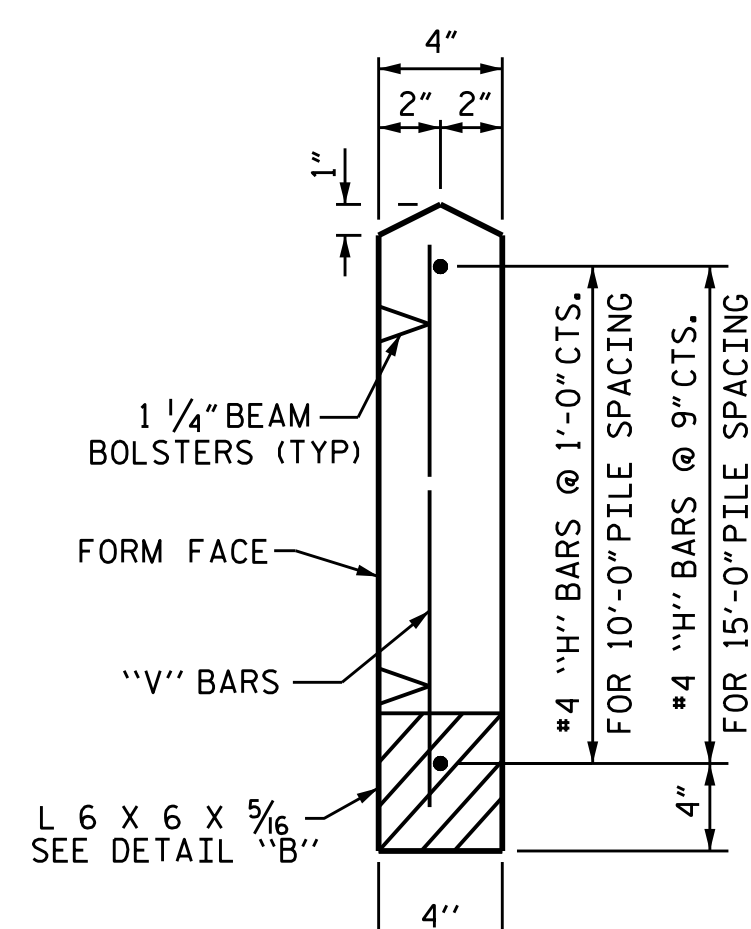
PANEL HEIGHT	CLASS AA CONCRETE C.Y.	BAR TYPES											
		HORIZONTAL						VERTICAL					
		NO.	BAR SIZE	TYPE	LENGTH	WEIGHT (lb)	NO.	BAR SIZE	TYPE	LENGTH	WEIGHT (lb)		
2'-0"	0.22	3	H1 #4	STR	8'-8"	17	11	V1 #4	STR	1'-8"	12		
3'-0"	0.33	4	H2 #4	STR	8'-8"	23	11	V2 #4	STR	2'-8"	20		
4'-0"	0.44	5	H3 #4	STR	8'-8"	29	11	V3 #4	STR	3'-8"	27		

QUANTITIES FOR ONE PRECAST PANEL (FOR 15'-0" PILE SPACING)

PANEL HEIGHT	CLASS AA CONCRETE C.Y.	BAR TYPES											
		HORIZONTAL						VERTICAL					
		NO.	BAR SIZE	TYPE	LENGTH	WEIGHT (lb)	NO.	BAR SIZE	TYPE	LENGTH	WEIGHT (lb)		
3'-0"	0.52	5	H1 #4	STR	13'-8"	46	16	V1 #4	STR	2'-8"	29		
4'-0"	0.69	6	H2 #4	STR	13'-8"	55	16	V2 #4	STR	3'-8"	39		
5'-0"	0.86	7	H3 #4	STR	13'-8"	64	16	V3 #4	STR	4'-8"	50		
6'-0"	1.04	8	H4 #4	STR	13'-8"	73	16	V4 #4	STR	5'-8"	61		

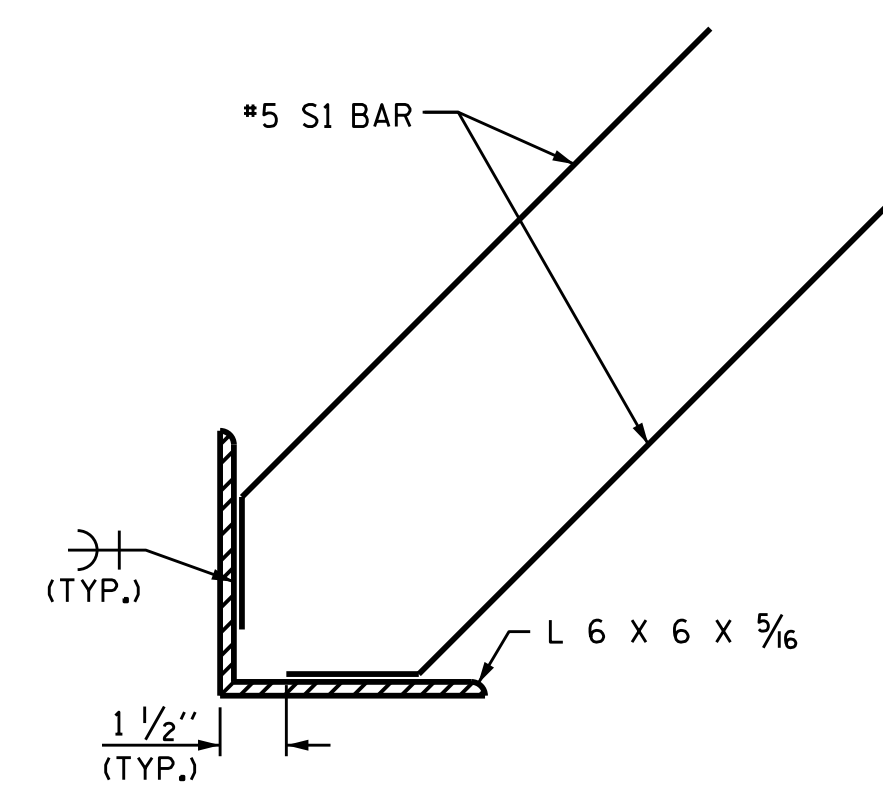


UPPER PANEL

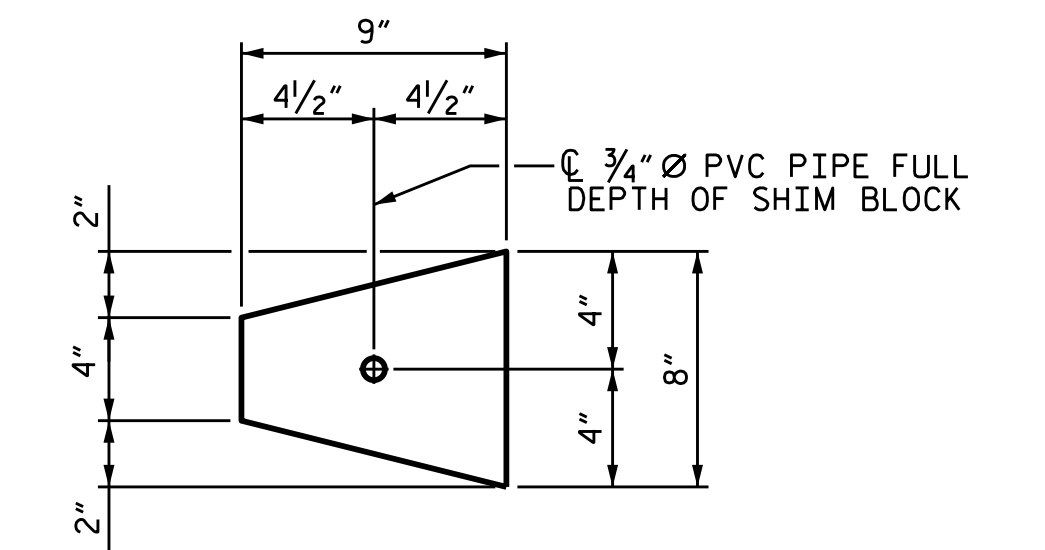


BOTTOM PANEL

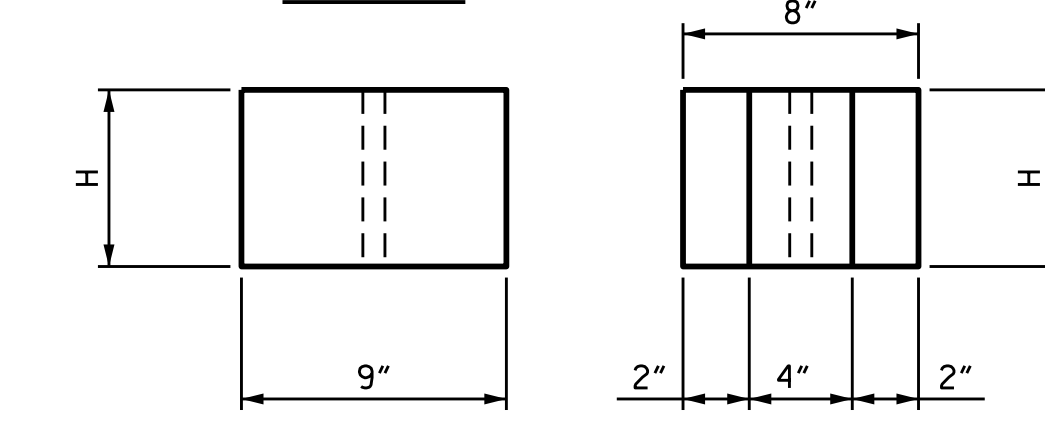
SECTION THROUGH PRECAST PANELS



DETAIL "B"



PLAN

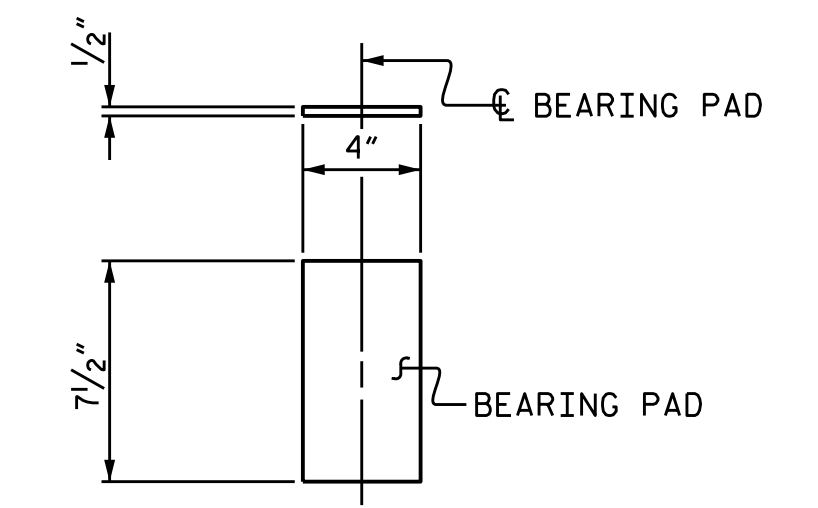


ELEVATION

END

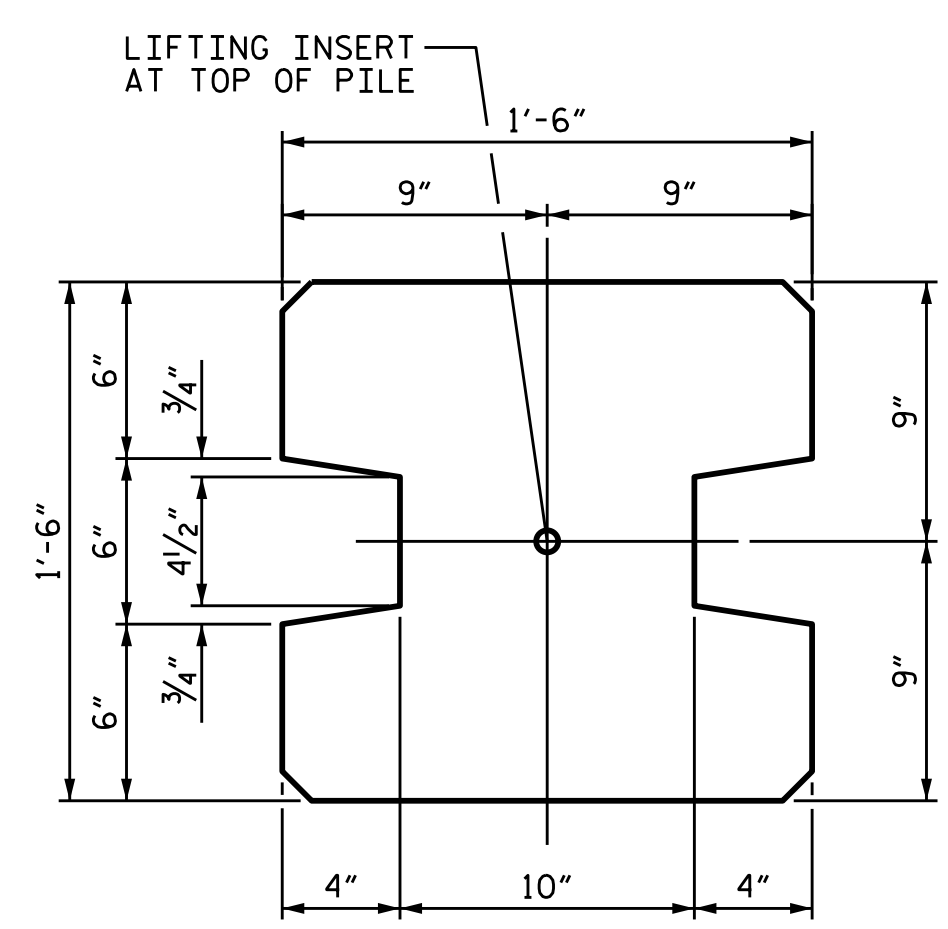
CONCRETE SHIM BLOCK

H = 3", 6" or 1'-0"

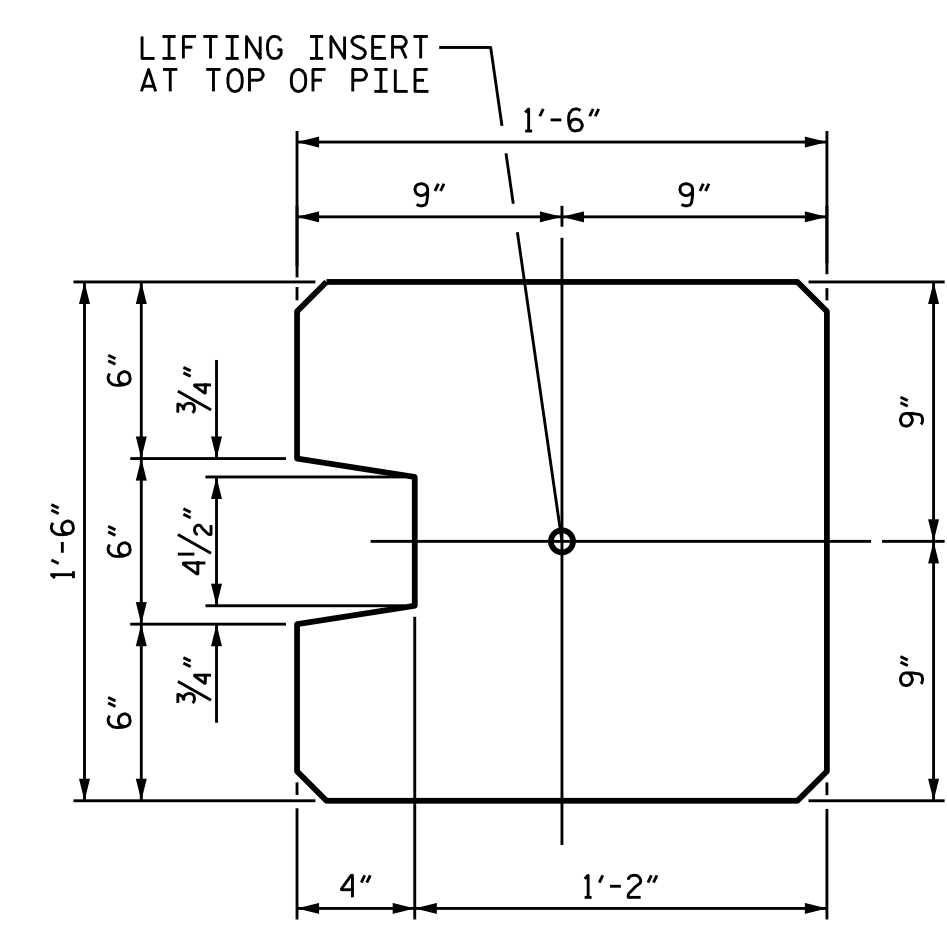


ELASTOMERIC BEARING DETAILS

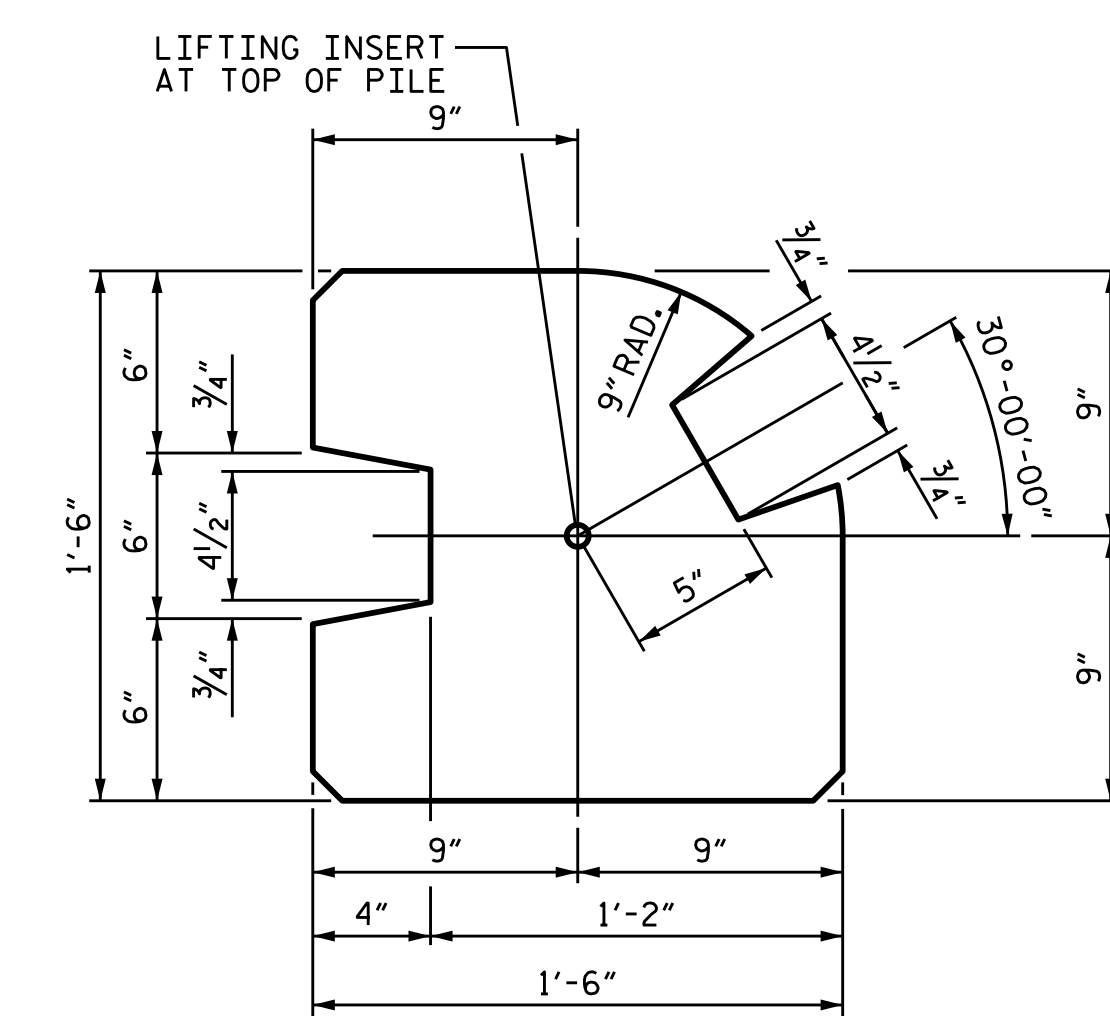
ELASTOMER IN BEARINGS SHALL BE 50 DUROMETER HARDNESS.



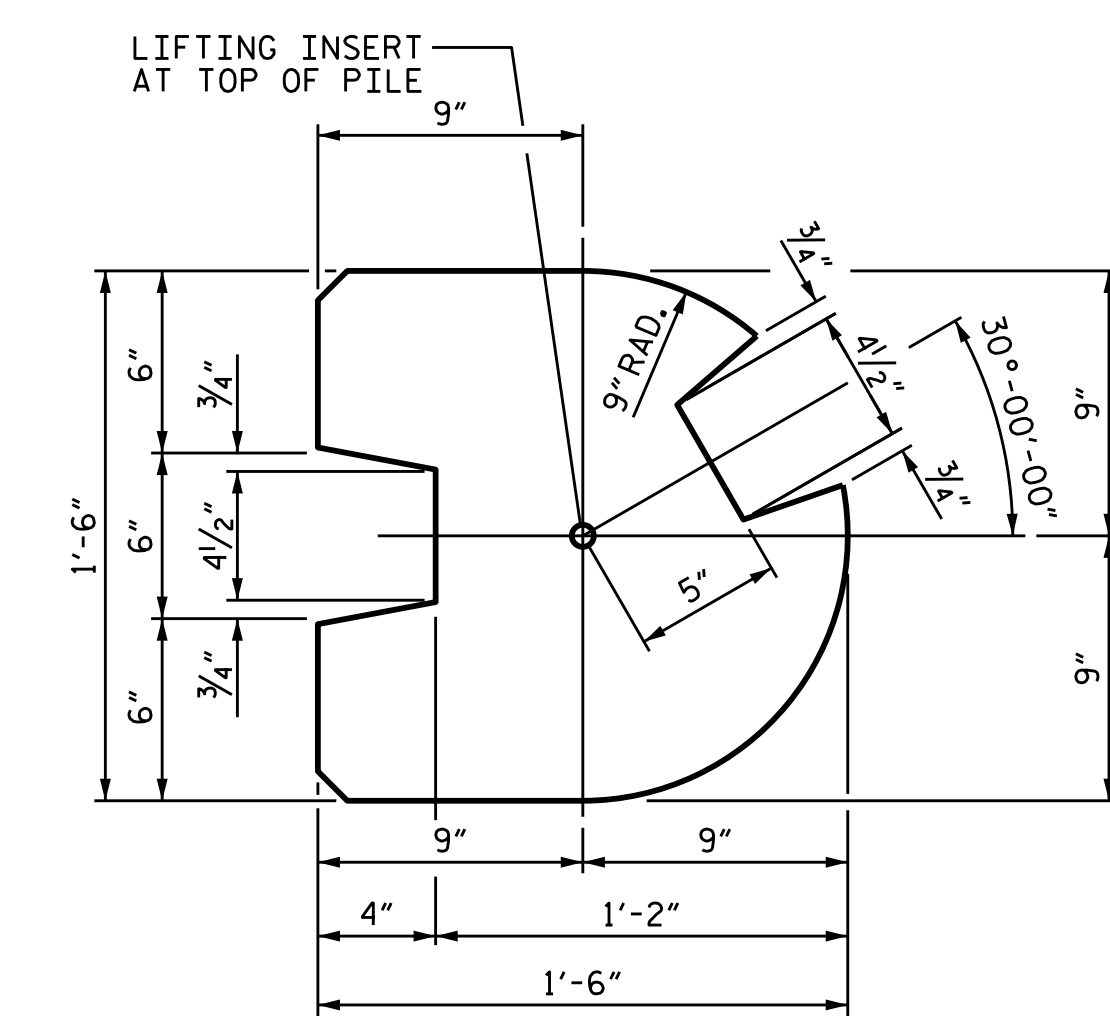
TYPE - I
(AREA = 1.9444 SQ. FT.)



TYPE - II
(AREA = 2.0903 SQ. FT.)



TYPE - III
(AREA = 1.8336 SQ. FT.)

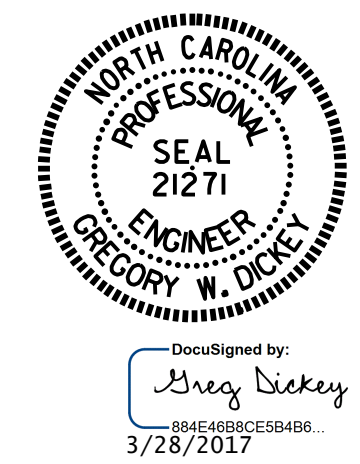


TYPE - III (ALT.)
(AREA = 1.7163 SQ. FT.)

PILE DETAIL

(ALL CORNERS TO BE CHAMFERED 1")

ASSEMBLED BY : William J. Parker	DATE : 02/16
CHECKED BY : H. A. LOCKLEAR	DATE : 12/16
DRAWN BY : MAA 6/11	ADDED 8/31/11
CHECKED BY : GM 6/11	REV. 1/15/14 RWW/TMG



DOCUMENT NOT CONSIDERED FINAL UNLESS ALL SIGNATURES COMPLETED

PROJECT NO. U-3330
NASH COUNTY
STATION: 30+80.70 -L-
SHEET 2 OF 3

STATE OF NORTH CAROLINA DEPARTMENT OF TRANSPORTATION RALEIGH					
STANDARD NOISE WALL DETAILS					
REVISIONS					
NO.	BY:	DATE:	NO.	BY:	DATE:
1			3		
2			4		
					SHEET NO. SW-2
					TOTAL SHEETS 3