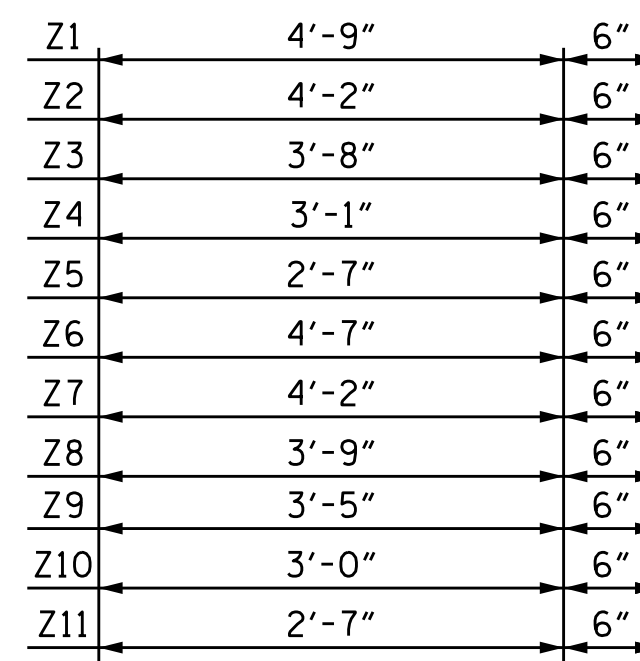
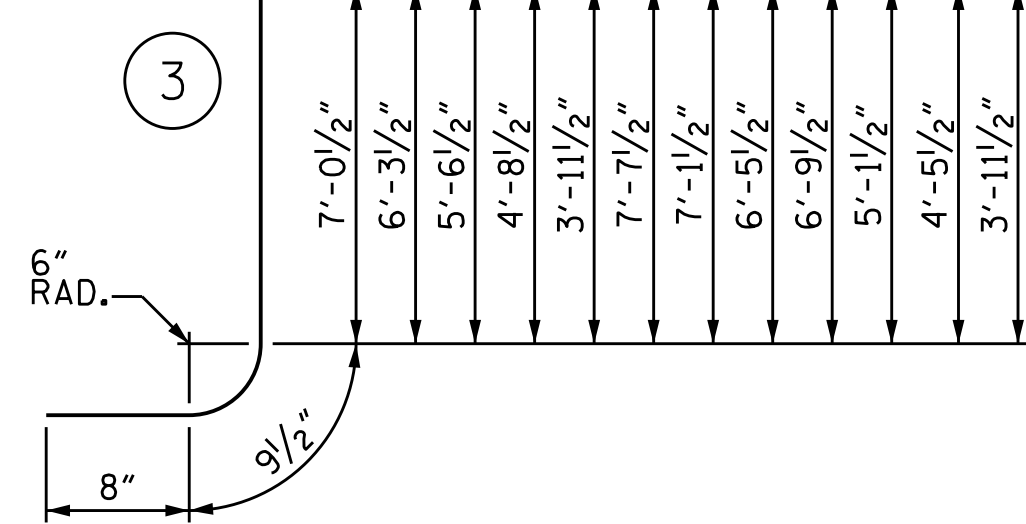
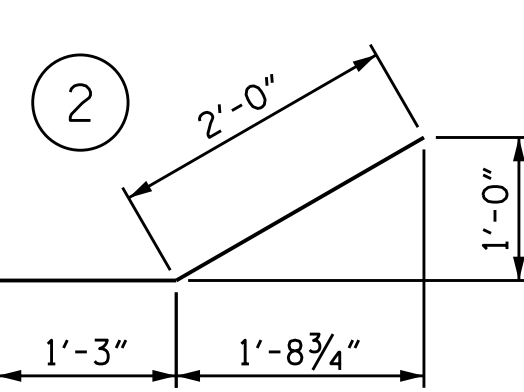
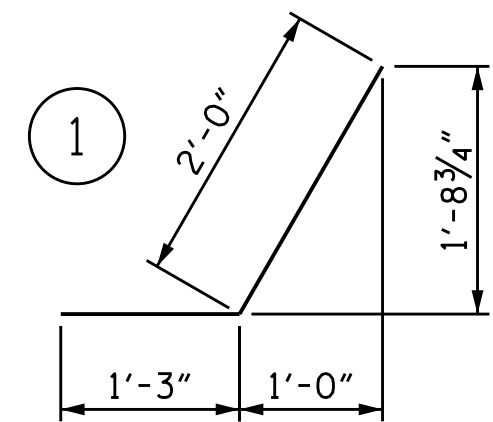


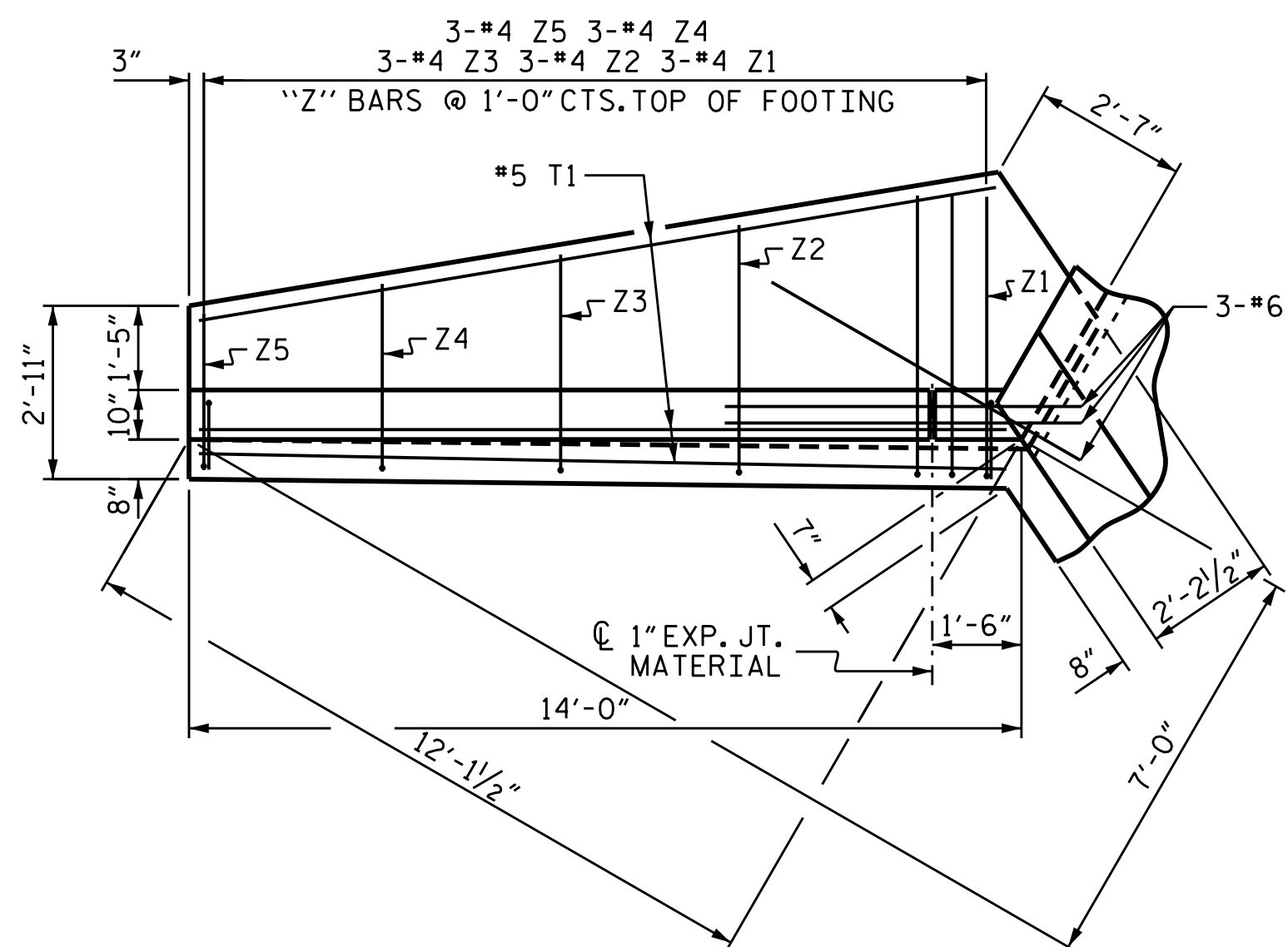
BAR TYPES

ALL BAR DIMENSIONS ARE OUT TO OUT.

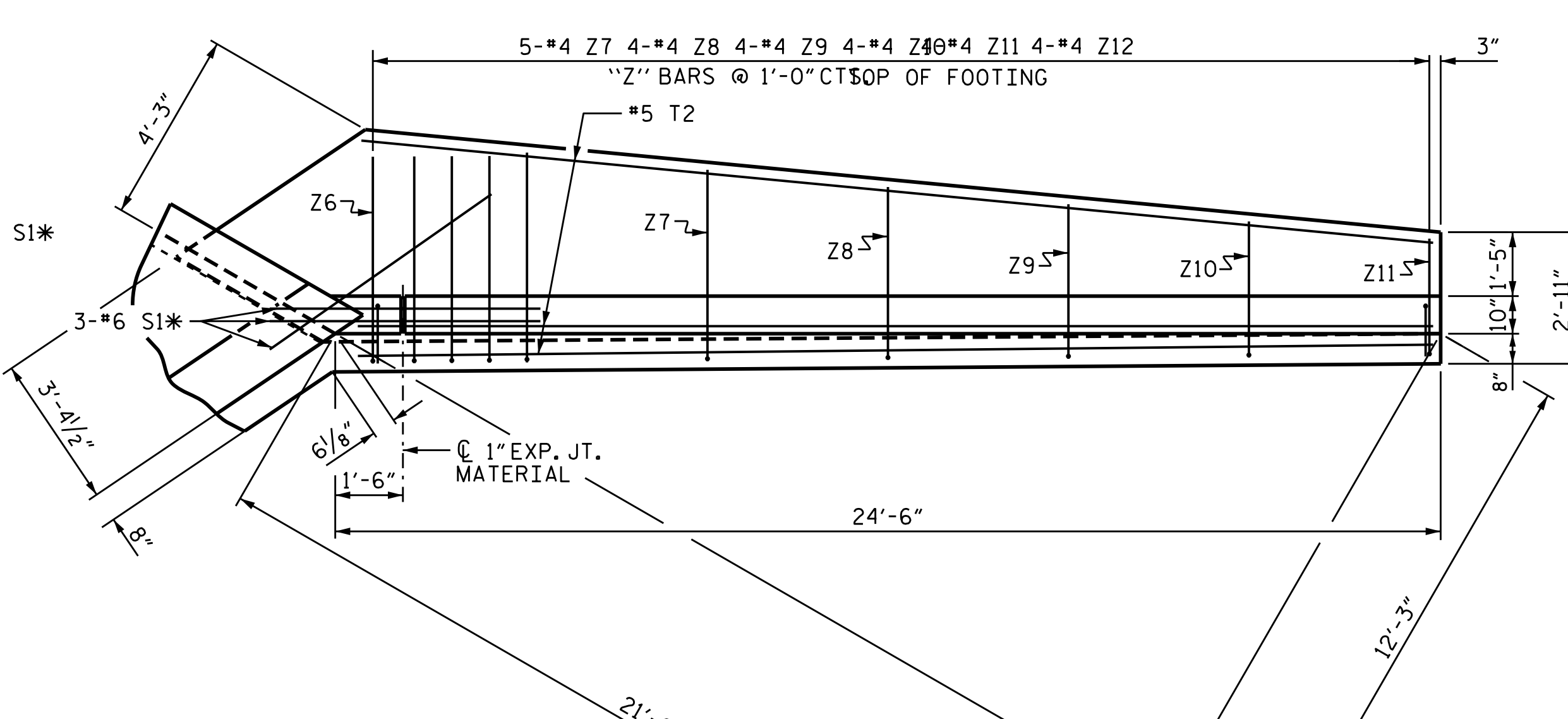


BILL OF MATERIAL (INLET)					BILL OF MATERIAL (OUTLET)						
BAR	NO.	SIZE	TYPE	LENGTH	WEIGHT	BAR	NO.	SIZE	TYPE	LENGTH	WEIGHT
H1	6	#4	STR	12'-1"	48	H6	6	#4	STR	22'-7"	91
H2	2	#4	STR	9'-1"	12	H7	2	#4	STR	17'-3"	23
H3	2	#4	STR	4'-0"	5	H8	2	#4	STR	8'-4"	11
H4	12	#4	1	3'-3"	26	H9	12	#4	2	3'-3"	26
H5	2	#4	STR	12'-7"	17	H10	2	#4	STR	22'-11"	31
N1	3	#5	3	8'-5"	26	N6	3	#5	3	9'-1"	28
N2	3	#5	3	7'-8"	24	N7	3	#5	3	8'-6"	27
N3	3	#4	3	6'-11"	14	N8	4	#4	3	7'-11"	21
N4	3	#4	3	6'-2"	12	N9	4	#4	3	7'-3"	19
N5	3	#4	3	5'-5"	11	N10	4	#4	3	6'-6"	17
S1	3	#6	STR	6'-0"	27	N11	4	#4	3	5'-11"	16
T1	3	#5	STR	13'-7"	43	N12	3	#4	3	5'-4"	11
V1	3	#4	STR	7'-4"	14	T2	3	#5	STR	23'-10"	75
V2	3	#4	STR	6'-10"	12	V6	3	#4	STR	7'-6"	15
V3	3	#4	STR	5'-4"	11	V7	3	#4	STR	6'-11"	14
V4	3	#4	STR	4'-7"	9	V8	4	#4	STR	6'-4"	17
V5	3	#4	STR	3'-10"	8	V9	4	#4	STR	5'-8"	15
Z1	3	#4	4	5'-3"	11	V10	4	#4	STR	4'-11"	13
Z2	3	#4	4	4'-8"	9	V11	4	#4	STR	4'-4"	12
Z3	3	#4	4	4'-2"	8	V12	3	#4	STR	3'-9"	8
Z4	3	#4	4	3'-7"	7	Z6	5	#4	4	5'-1"	17
Z5	3	#4	4	3'-1"	6	Z7	4	#4	4	4'-8"	12
						Z8	4	#4	4	4'-3"	11
						Z9	4	#4	4	3'-11"	10
						Z10	4	#4	4	3'-6"	9
						Z11	4	#4	4	3'-1"	8

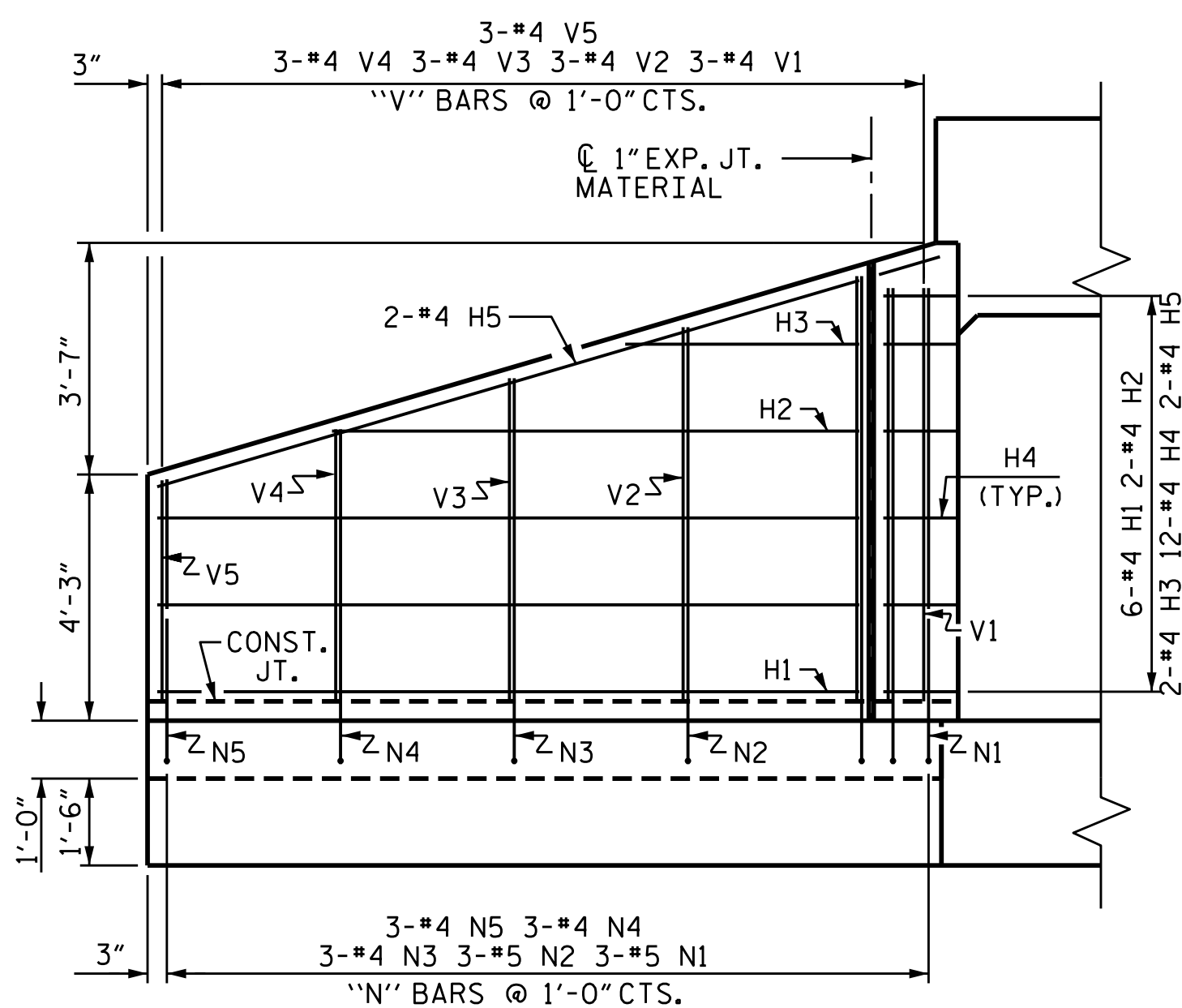
REINFORCING STEEL		363 LBS	REINFORCING STEEL		584 LBS
CLASS A CONCRETE (INLET)			CLASS A CONCRETE (OUTLET)		
1 WING	5.4 CU.YDS.		1 WING	9.6 CU.YDS.	
1 HEADWALL	1.5 CU.YDS.		1 HEADWALL	1.5 CU.YDS.	
1 END CURTAIN WALL	0.9 CU.YDS.		1 END CURTAIN WALL	0.9 CU.YDS.	
TOTAL	7.8 CU.YDS.		TOTAL	12.0 CU.YDS.	



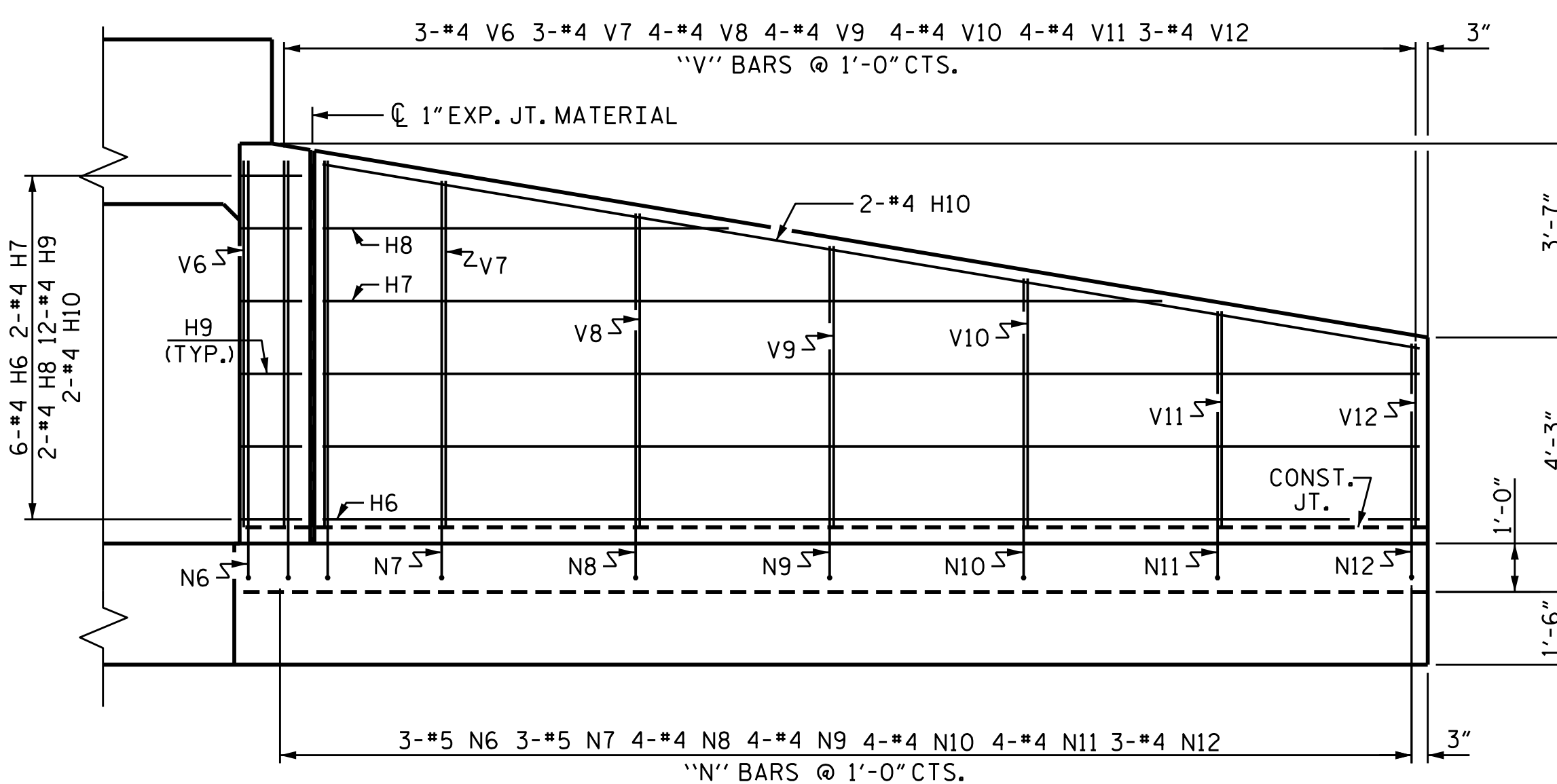
PLAN W2
(INLET)



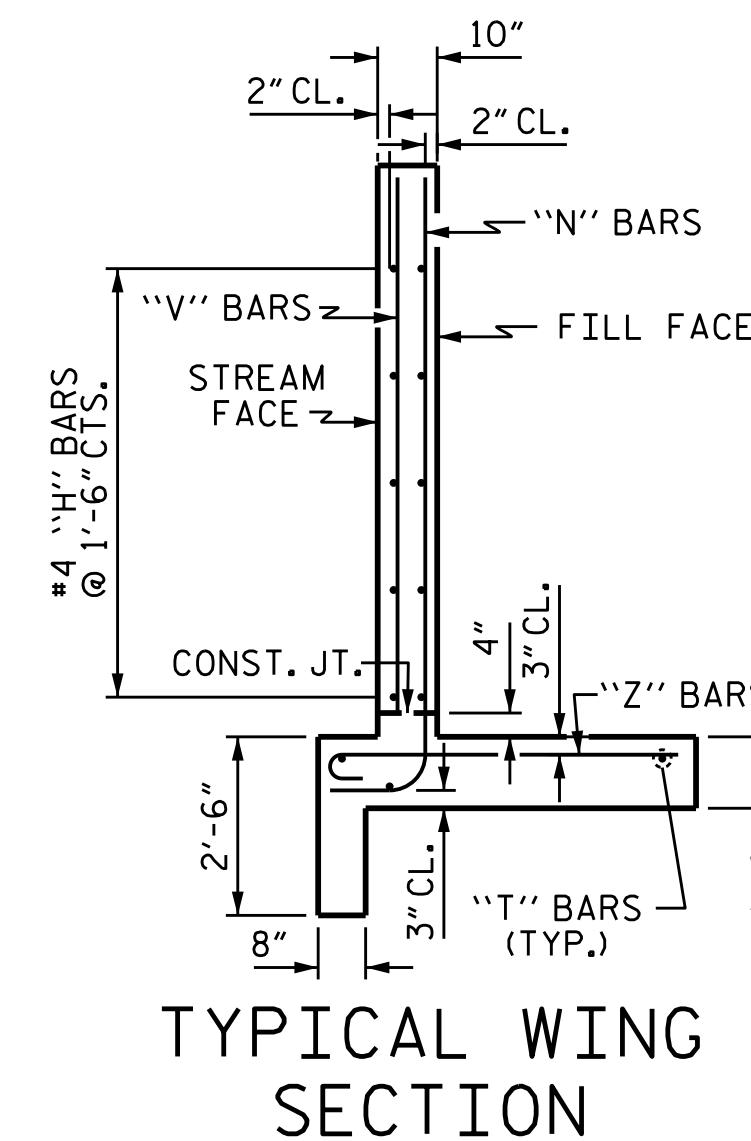
PLAN W3
(OUTLET)



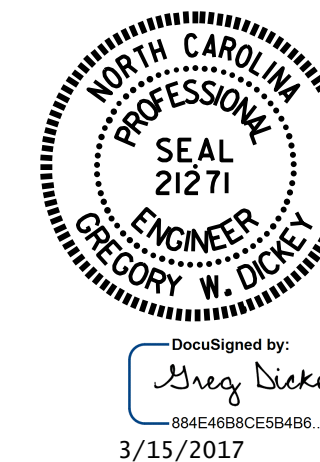
ELEVATION W2
(INLET)



ELEVATION W3
(OUTLET)



PROJECT NO. U-3330
NASH COUNTY
 STATION: 113+48.00 -L-
 SHEET 10 OF 11



STATE OF NORTH CAROLINA
 DEPARTMENT OF TRANSPORTATION
 RALEIGH
WINGS FOR CONCRETE BOX CULVERT STAGE II
 H = 7'-0" SLOPE = 3:1
 60° SKEW

DRAWN BY : B.N.BARODAWALA DATE : 2-2-17
 CHECKED BY : A.K.PATEL DATE : 2-3-17
 DESIGN ENGINEER OF RECORD: KRISHNA SEDA DATE : 2-3-17

DOCUMENT NOT CONSIDERED FINAL UNLESS ALL SIGNATURES COMPLETED

REVISIONS			SHEET NO.		
NO.	BY:	DATE:	NO.	BY:	DATE:
1			3		
2			4		

TOTAL SHEETS 11