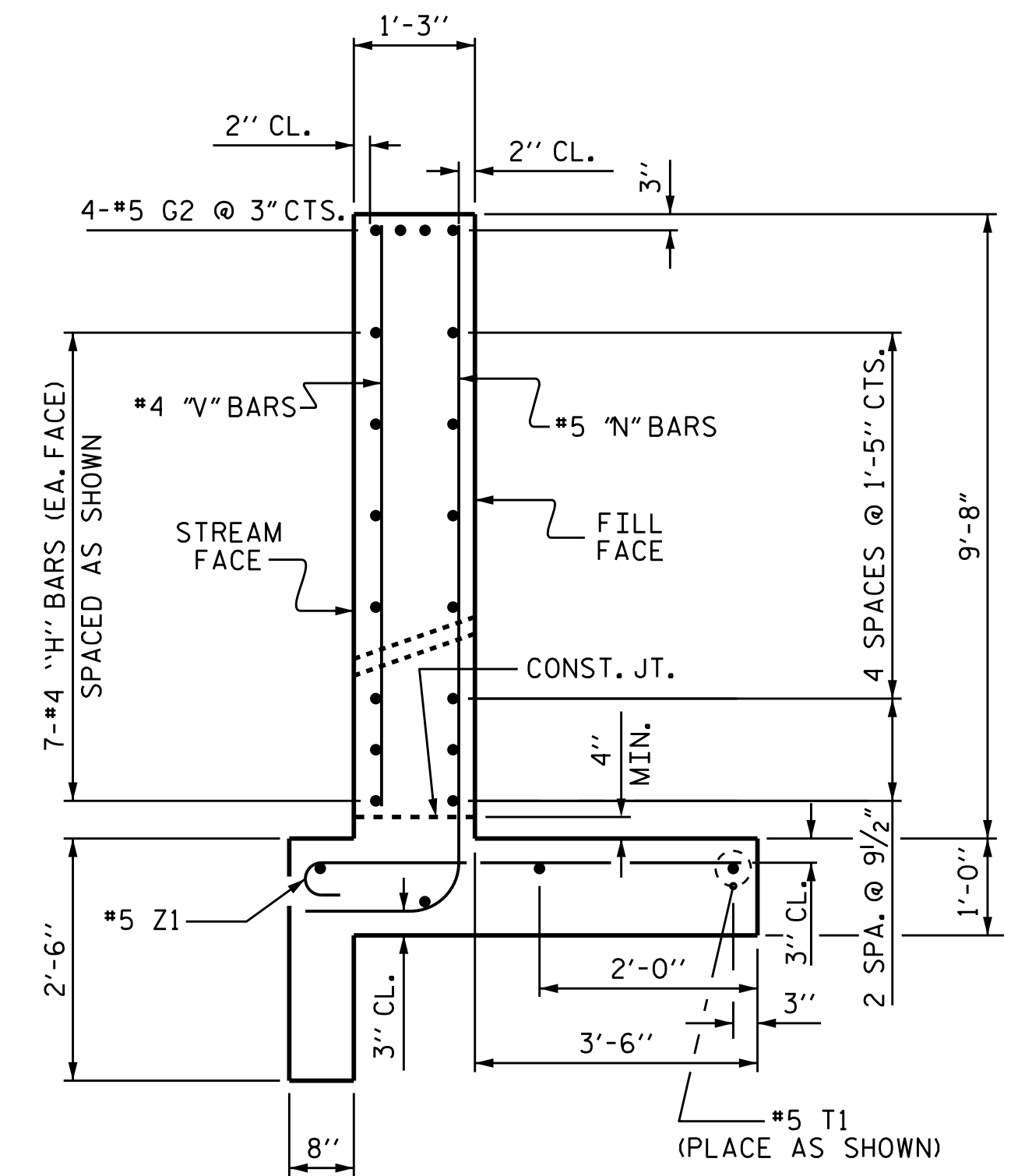
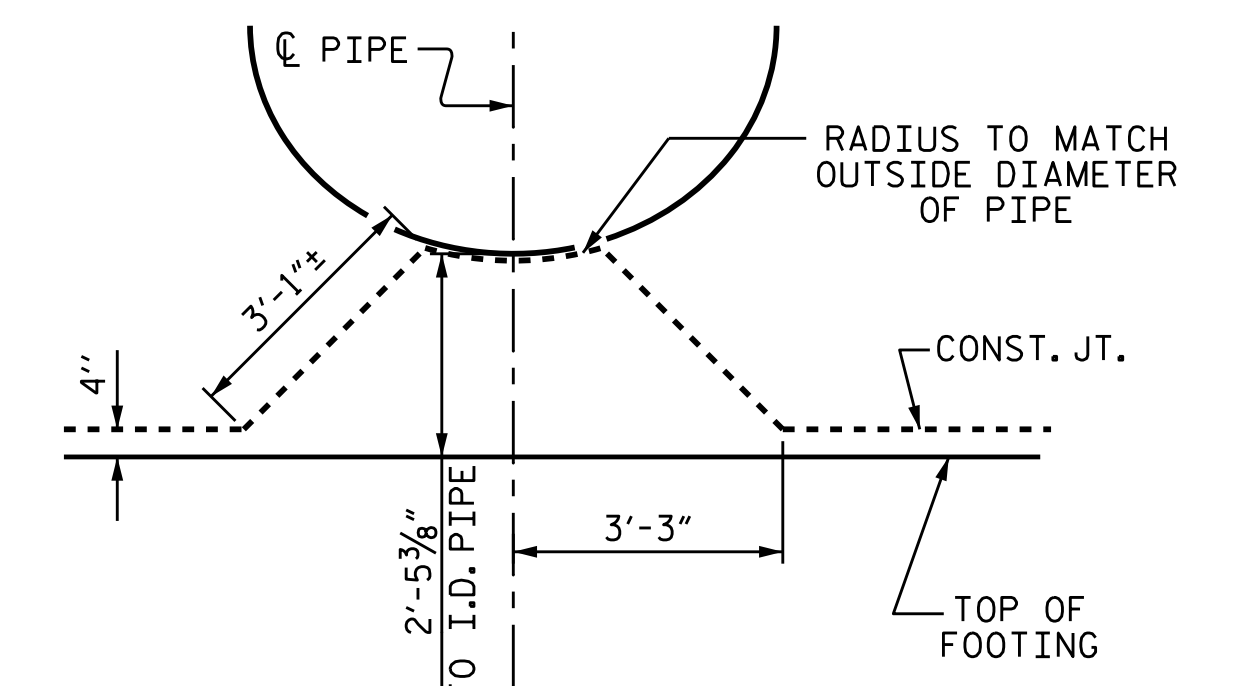


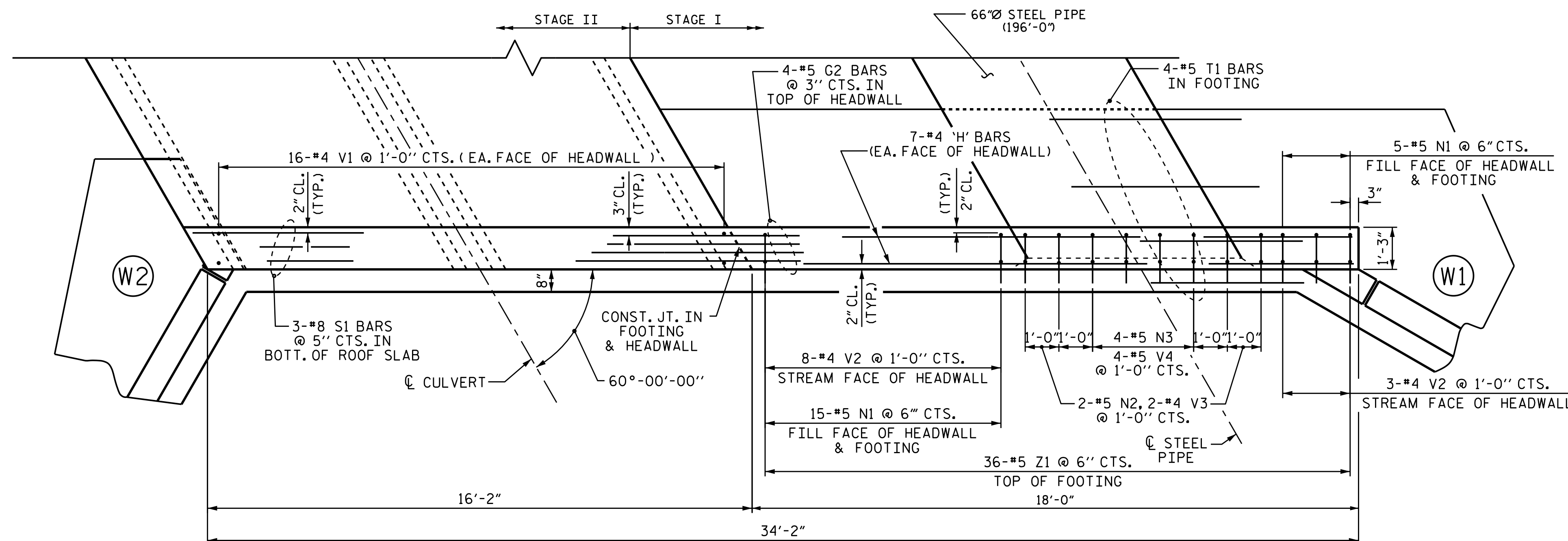
END ELEVATION - NORMAL TO SKEW  
(INLET END)



SECTION A-A

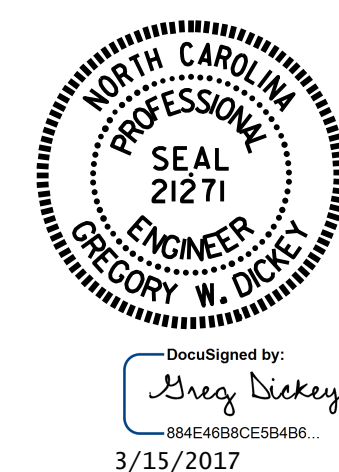


CONSTRUCTION JOINT DETAIL  
(INLET END - STEEL PIPE)



PLAN - INLET HEADWALL  
(LEFT EXTENSION)

PROJECT NO. U-3330  
NASH COUNTY  
STATION: 113+48.00 -L-  
SHEET 6 OF 11



STATE OF NORTH CAROLINA  
DEPARTMENT OF TRANSPORTATION  
RALEIGH  
66"Ø STEEL PIPE  
HEADWALL  
INLET END  
(STAGE I)

DRAWN BY: A. K. PATEL DATE: 2/07/17  
CHECKED BY: B. N. BARODAWALA DATE: 2/07/17  
DESIGN ENGINEER OF RECORD: KRISHNA SEDAI DATE: 2/07/17

DOCUMENT NOT CONSIDERED  
FINAL UNLESS ALL  
SIGNATURES COMPLETED

REVISIONS						SHEET NO.	
NO.	BY:	DATE:	NO.	BY:	DATE:	C-6	
1			3			TOTAL	11
2			4			SHEETS	