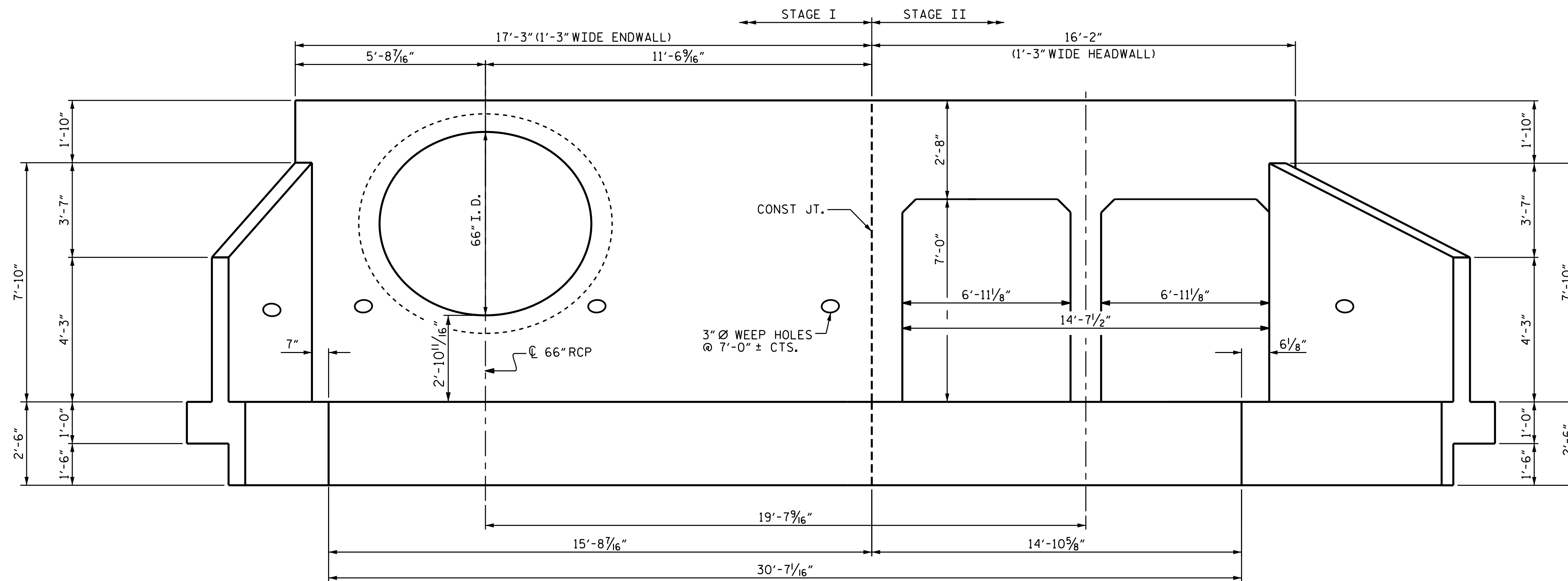


END ELEVATION NORMAL TO SKEW

(INLET END)

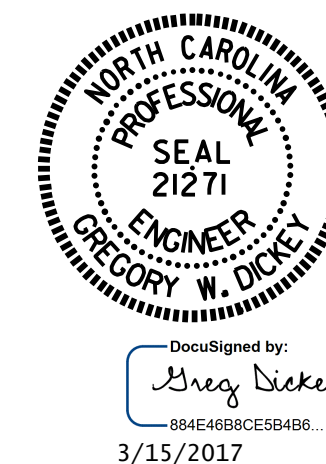


END ELEVATION NORMAL TO SKEW

(OUTLET END)

DRAWN BY : A. K. PATEL DATE : 2/7/17  
 CHECKED BY : B. N. BARODAWALA DATE : 2/8/17  
 DESIGN ENGINEER OF RECORD: KRISHNA SEDAI DATE : 2/8/17

15-MAR-2017 09:28  
 J:\Structures\Final Plans\404\_Site\_3\_Culvert\NDG\NU-3330\_SD.CU.dgn  
 gdickey



DOCUMENT NOT CONSIDERED  
 FINAL UNLESS ALL  
 SIGNATURES COMPLETED

PROJECT NO. U-3330  
 NASH COUNTY  
 STATION: 113+48.00 -L-

SHEET 3 OF 11

STATE OF NORTH CAROLINA  
 DEPARTMENT OF TRANSPORTATION  
 RALEIGH  
 DOUBLE 6 FT. X 7 FT.  
 CONCRETE BOX CULVERT  
 60° SKEW

REVISIONS						SHEET NO.	
NO.	BY:	DATE:	NO.	BY:	DATE:	C-3	
1			3			TOTAL SHEETS	
2			4			11	