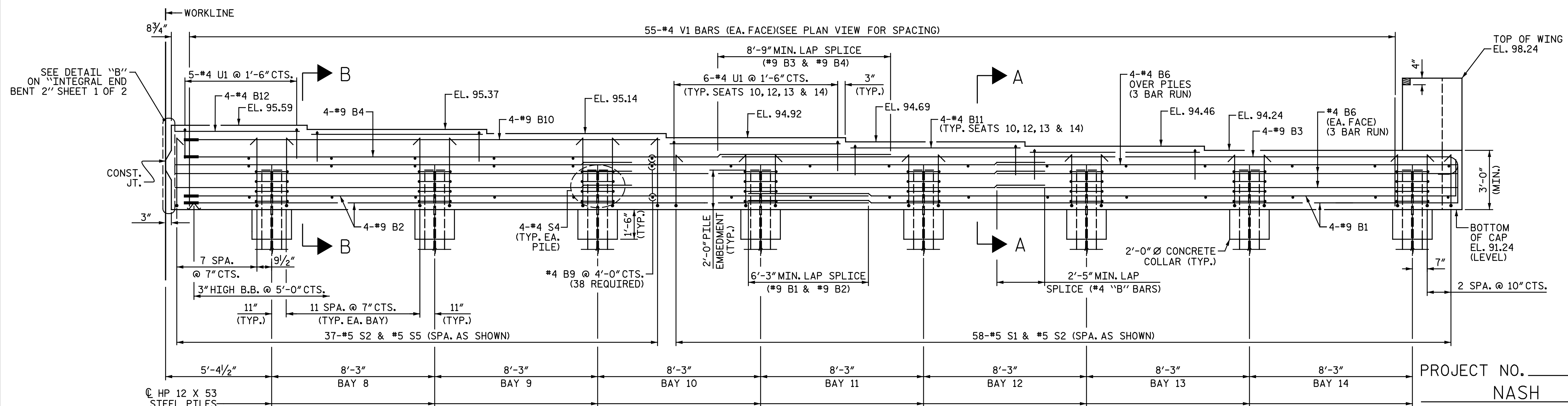


PLAN



ELEVATION

PROJECT NO. U-3330  
 NASH COUNTY  
 STATION: 61+03.00 -L-  
 SHEET 2 OF 2

DRAWN BY : N. B. SPEAKS DATE : 12-8-16  
 CHECKED BY : A. H. SHARPE DATE : 12-8-16

STATE OF NORTH CAROLINA  
 DEPARTMENT OF TRANSPORTATION  
 RALEIGH  
 SUBSTRUCTURE  
 INTEGRAL END BENT 2  
 STAGE II

REVISIONS

NO.	BY:	DATE:	NO.	BY:	DATE:
1			3		
2			4		

SHEET NO. S3-37  
 TOTAL SHEETS 42

Michael Baker Engineering  
 8000 Regency Parkway, Suite 600  
 Cary, North Carolina 27518  
 NC License No.: F-1084

Professional Engineer Seal: NORTH CAROLINA PROFESSIONAL SEAL 033139 ENGINEER TODD M. GARRISON

DocuSigned by: [Signature] 2/3/2017

Michael Baker INTERNATIONAL