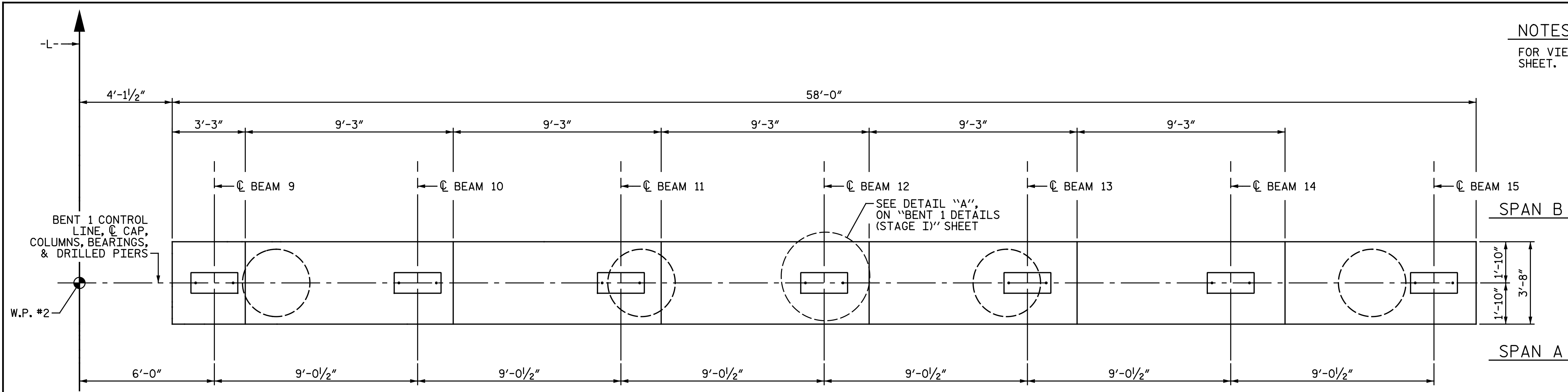
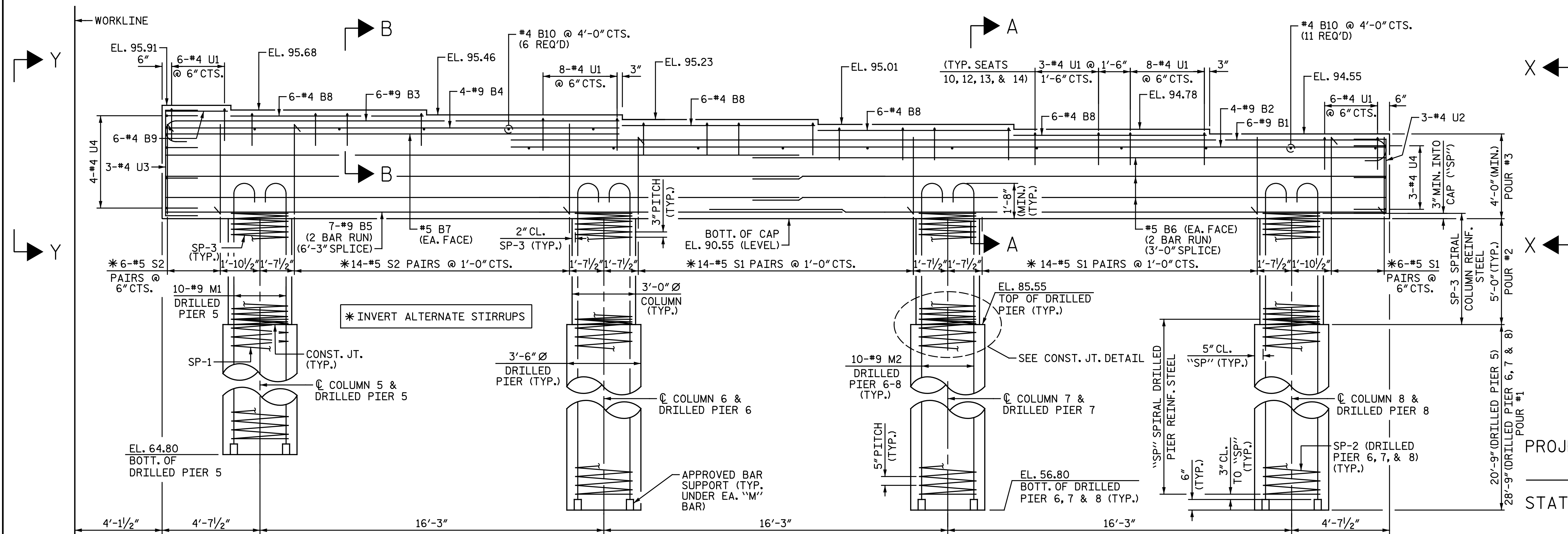


NOTES:
FOR VIEW X-X & VIEW Y-Y, SEE "BENT 1 DETAILS (STAGE I)" SHEET.



PLAN



ELEVATION

PROJECT NO. U-3330
NASH COUNTY
STATION: 61+03.00 -L-

DRAWN BY: M. D. MAYHEW DATE: 12-6-16
CHECKED BY: A. H. SHARPE DATE: 12-8-16

DOCUMENT NOT CONSIDERED FINAL UNLESS ALL SIGNATURES COMPLETED			STATE OF NORTH CAROLINA DEPARTMENT OF TRANSPORTATION RALEIGH SUBSTRUCTURE BENT 1 STAGE II		SHEET NO. S3-30 TOTAL SHEETS 42
	REVISIONS				
	NO.	BY:	DATE:	NO.	
1			3		
2			4		

Michael Baker Engineering
 8000 Regency Parkway, Suite 600
 Cary, North Carolina 27518
 NC License No.: F-1084