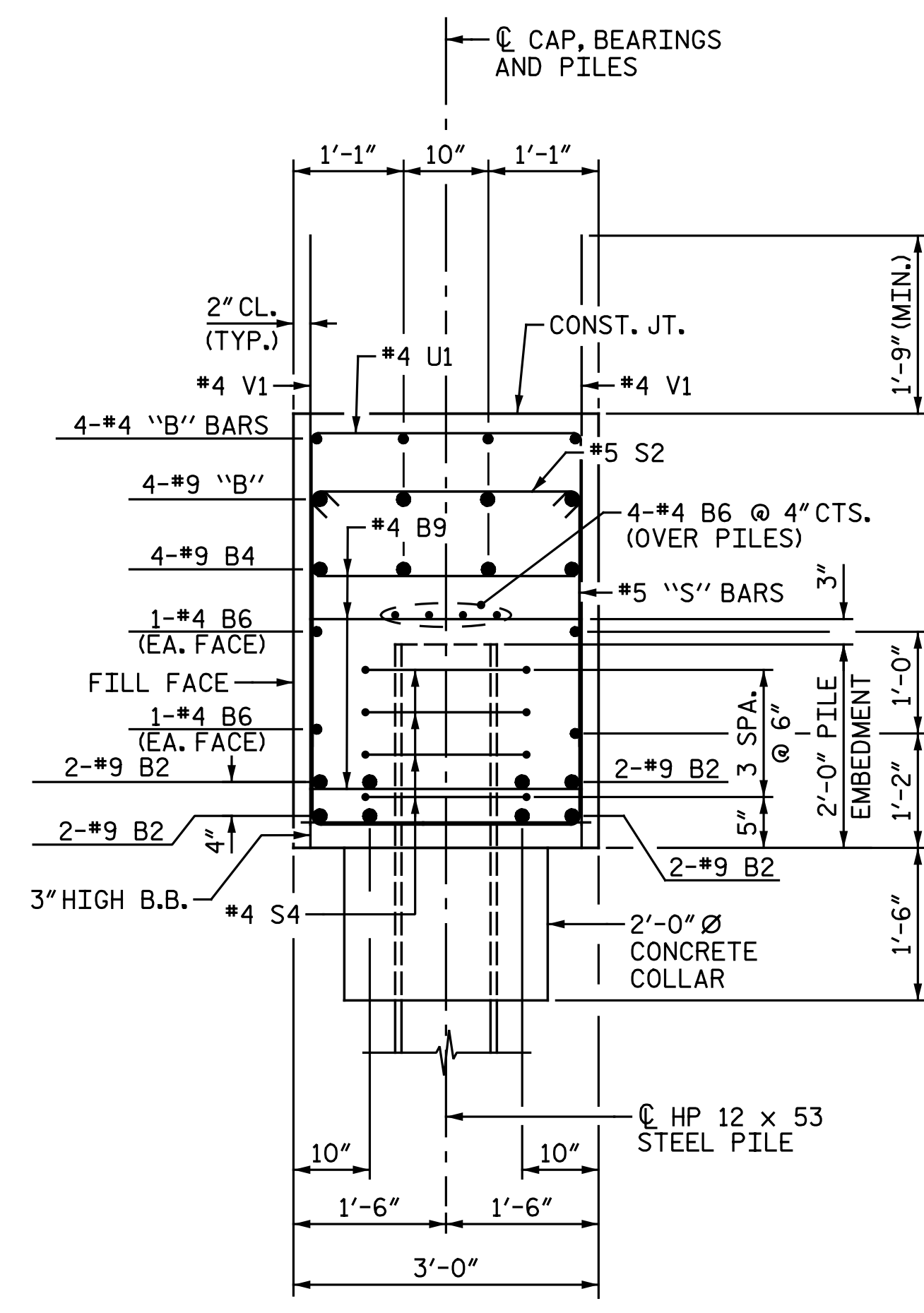
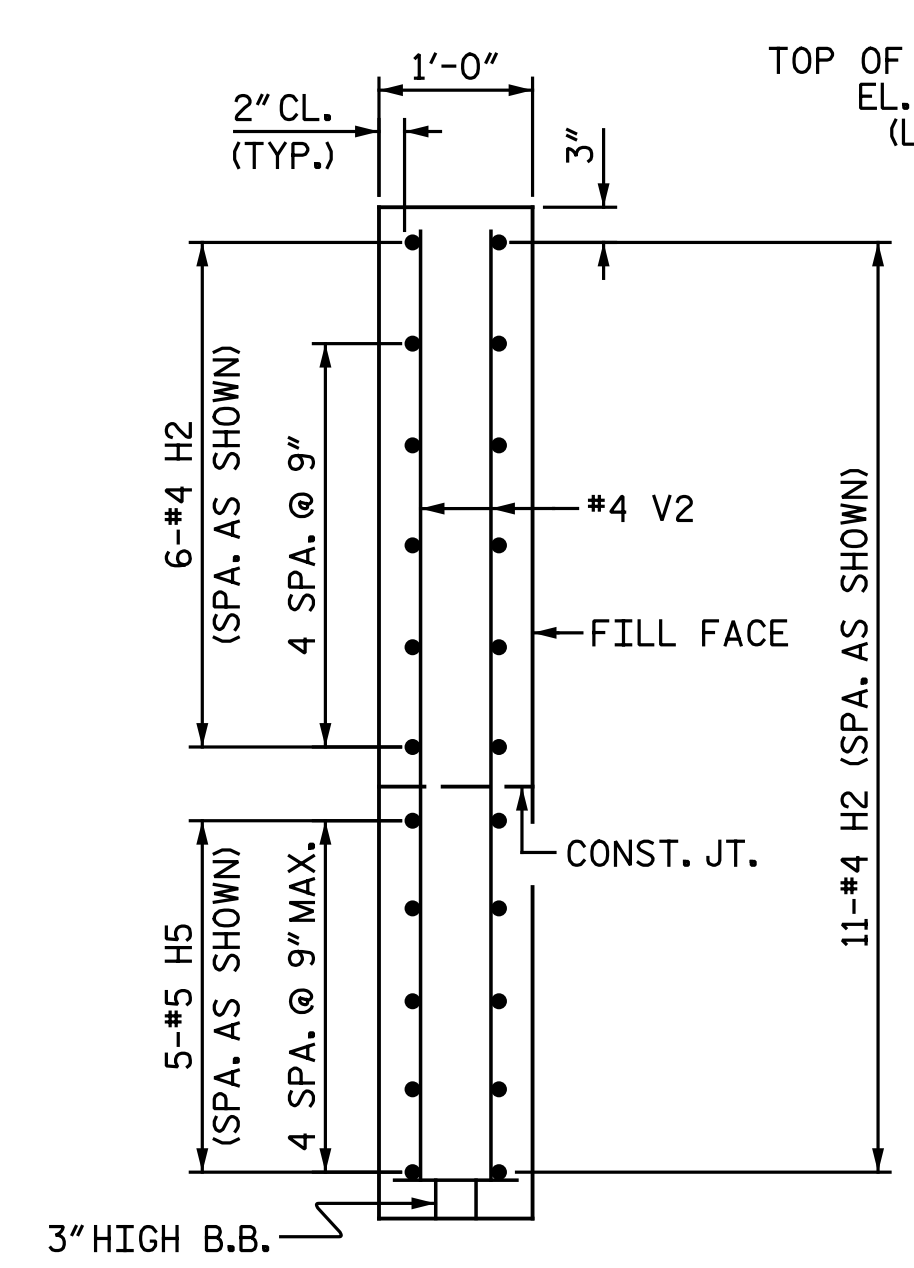


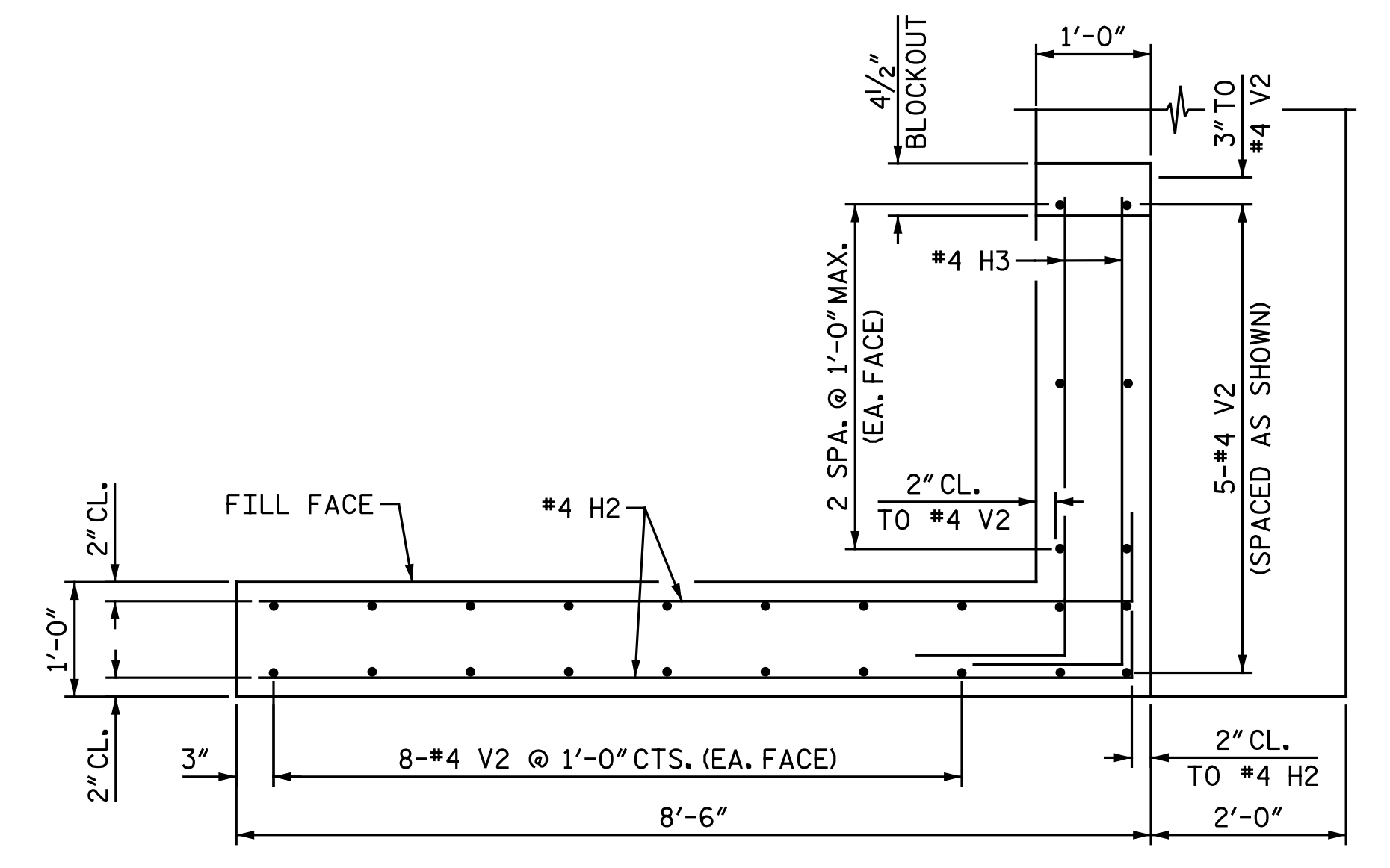
SECTION A-A



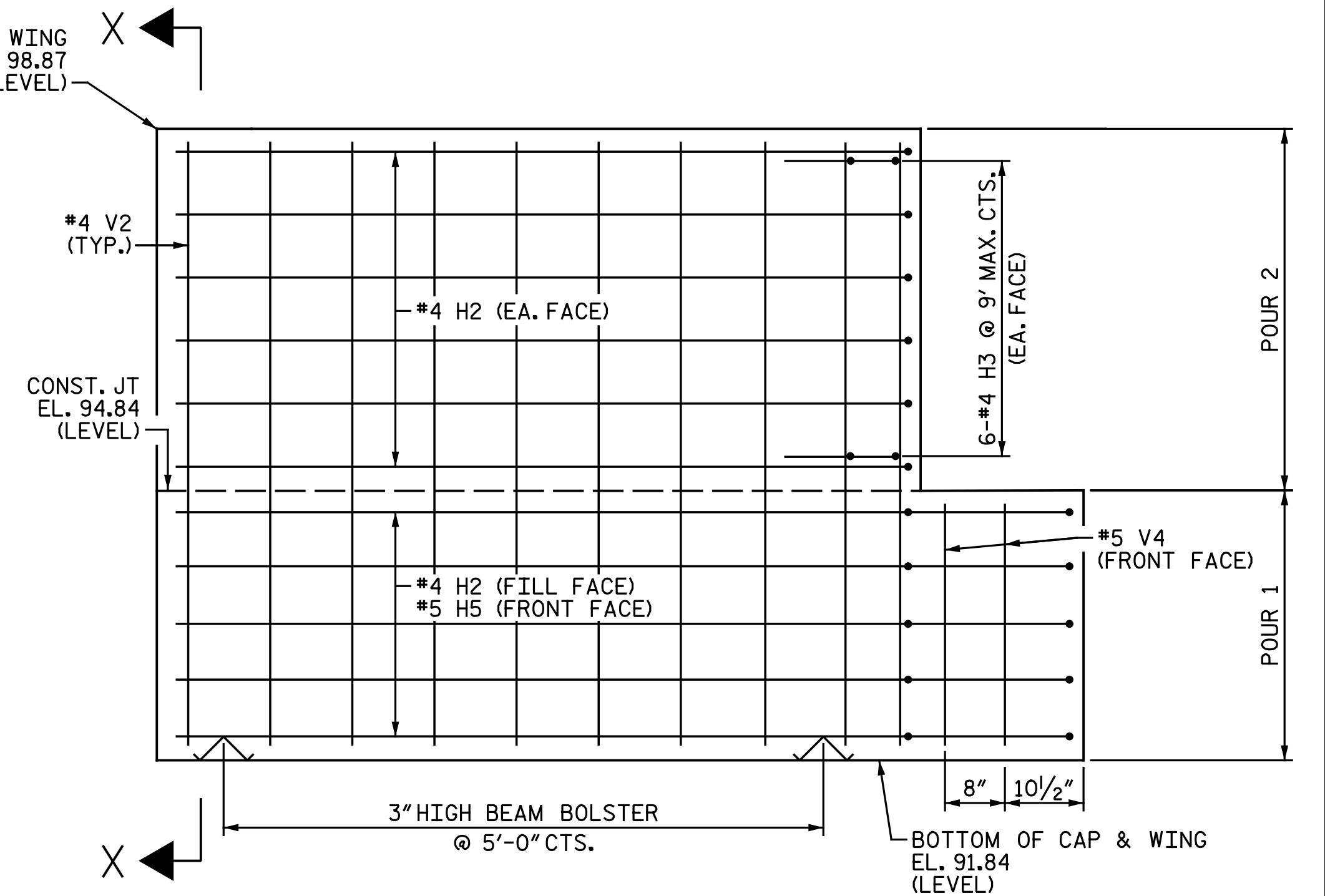
SECTION B-B



SECTION X-X




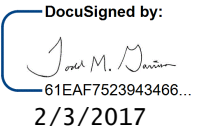
PLAN OF RIGHT WING WALL (W1)



ELEVATION OF RIGHT WING WALL (W1)

PROJECT NO. U-3330
 NASH COUNTY
 STATION: 61+03.00 -L-
 SHEET 1 OF 2

DRAWN BY : N. B. SPEAKS DATE : 11-30-16
 CHECKED BY : A. H. SHARPE DATE : 12-1-16

DOCUMENT NOT CONSIDERED FINAL UNLESS ALL SIGNATURES COMPLETED	 DocuSigned by:  2/3/2017	STATE OF NORTH CAROLINA DEPARTMENT OF TRANSPORTATION RALEIGH SUBSTRUCTURE INTEGRAL END BENT 1 DETAILS		REVISIONS NO. BY: DATE: NO. BY: DATE: 1 3 2 4	SHEET NO. S3-26 TOTAL SHEETS 42
		Michael Baker Engineering 8000 Regency Parkway, Suite 600 Cary, North Carolina 27518 NC License No.: F-1084			