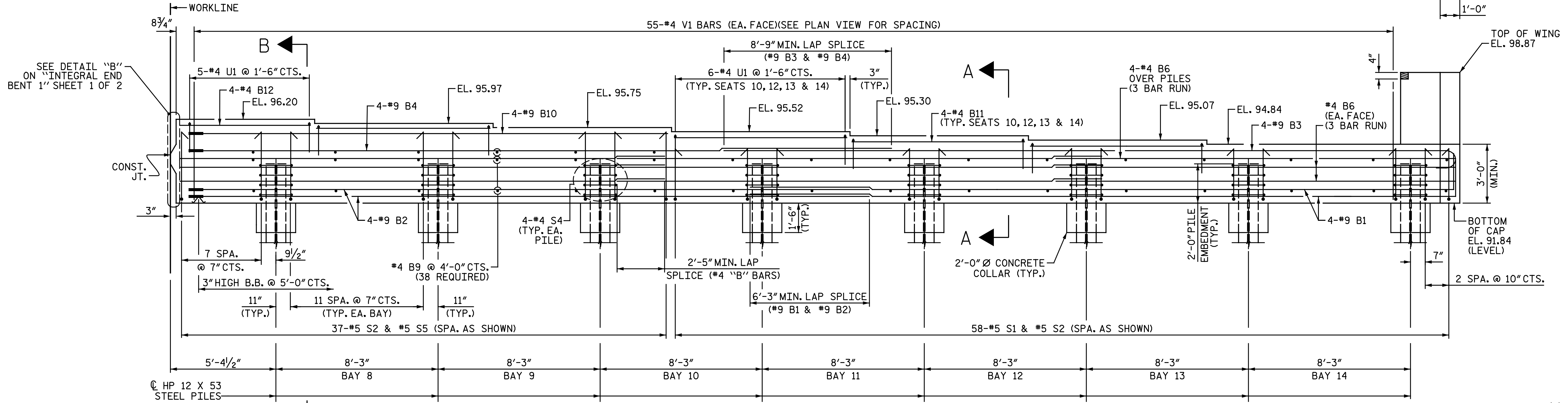


PLAN



ELEVATION

PROJECT NO. U-3330  
NASH COUNTY  
 STATION: 61+03.00 -L-  
 SHEET 2 OF 2

DRAWN BY : N. B. SPEAKS DATE : 11-3-16  
 CHECKED BY : A. H. SHARPE DATE : 11-15-16

DOCUMENT NOT CONSIDERED FINAL UNLESS ALL SIGNATURES COMPLETED		DEPARTMENT OF TRANSPORTATION RALEIGH SUBSTRUCTURE INTEGRAL END BENT 1		STAGE II REVISIONS SHEET NO. S3-25 TOTAL SHEETS 42
		Michael Baker Engineering 8000 Regency Parkway, Suite 600 Cary, North Carolina 27518 NC License No.: F-1084		
		DocuSigned by:  2/3/2017		
		NO. BY: DATE: NO. BY: DATE:		