

NOTES

AT ALL FIXED POINTS OF SUPPORT, NUTS FOR ANCHOR BOLTS ARE TO BE TIGHTENED FINGER TIGHT AND THEN BACKED OFF 1/2 TURN. THE THREAD OF THE NUT AND BOLT SHALL THEN BE BURRED WITH A SHARP POINTED TOOL.

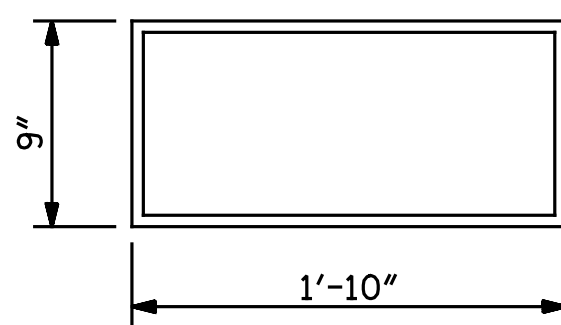
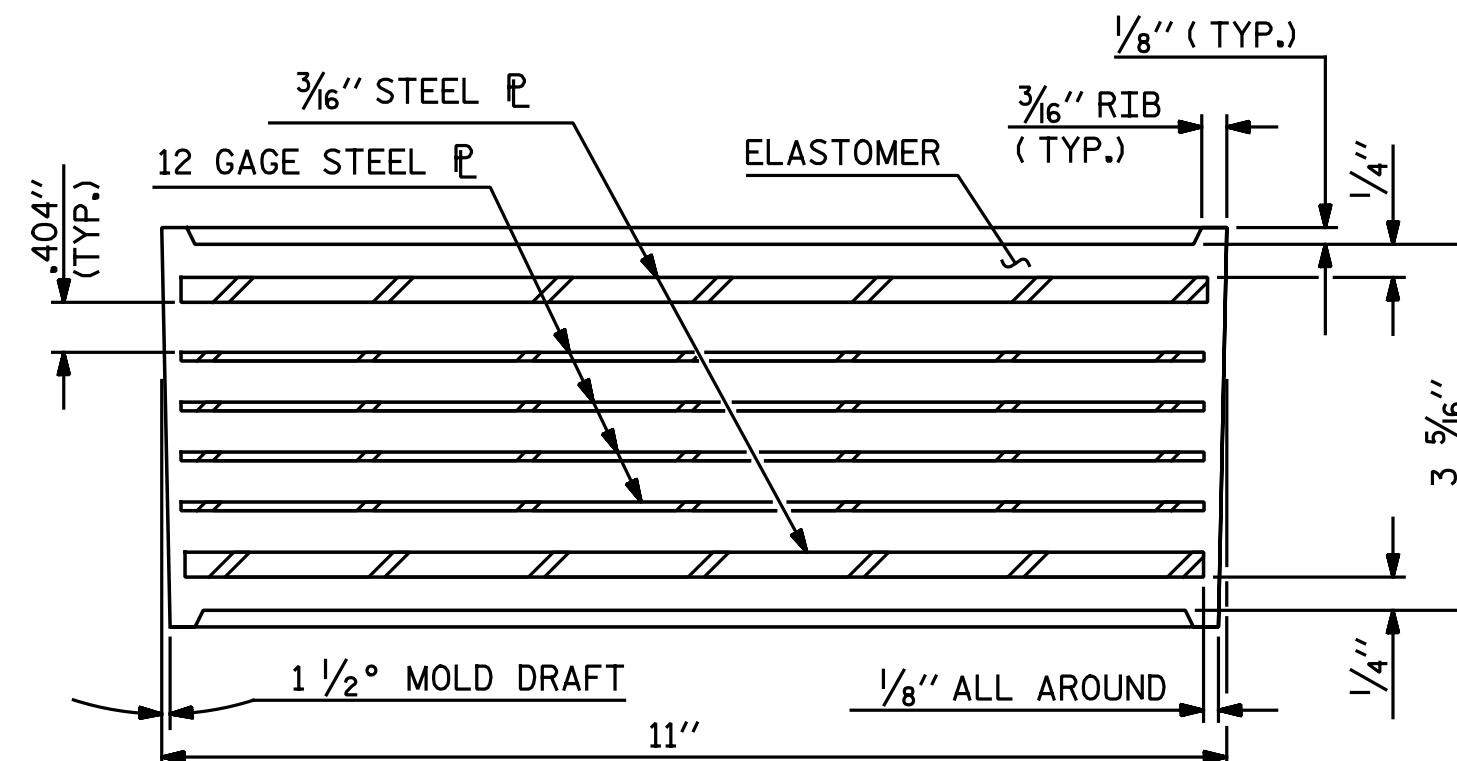
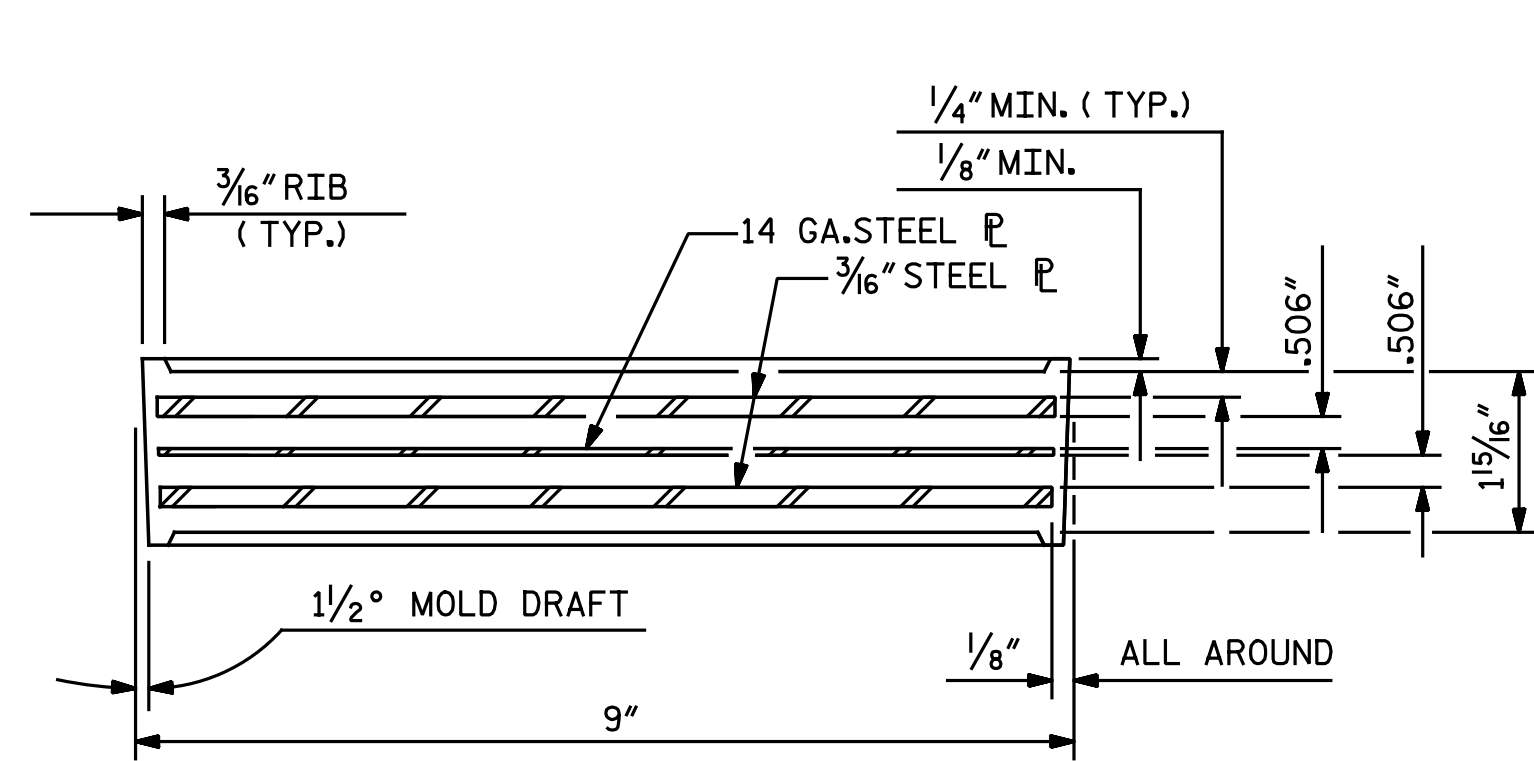
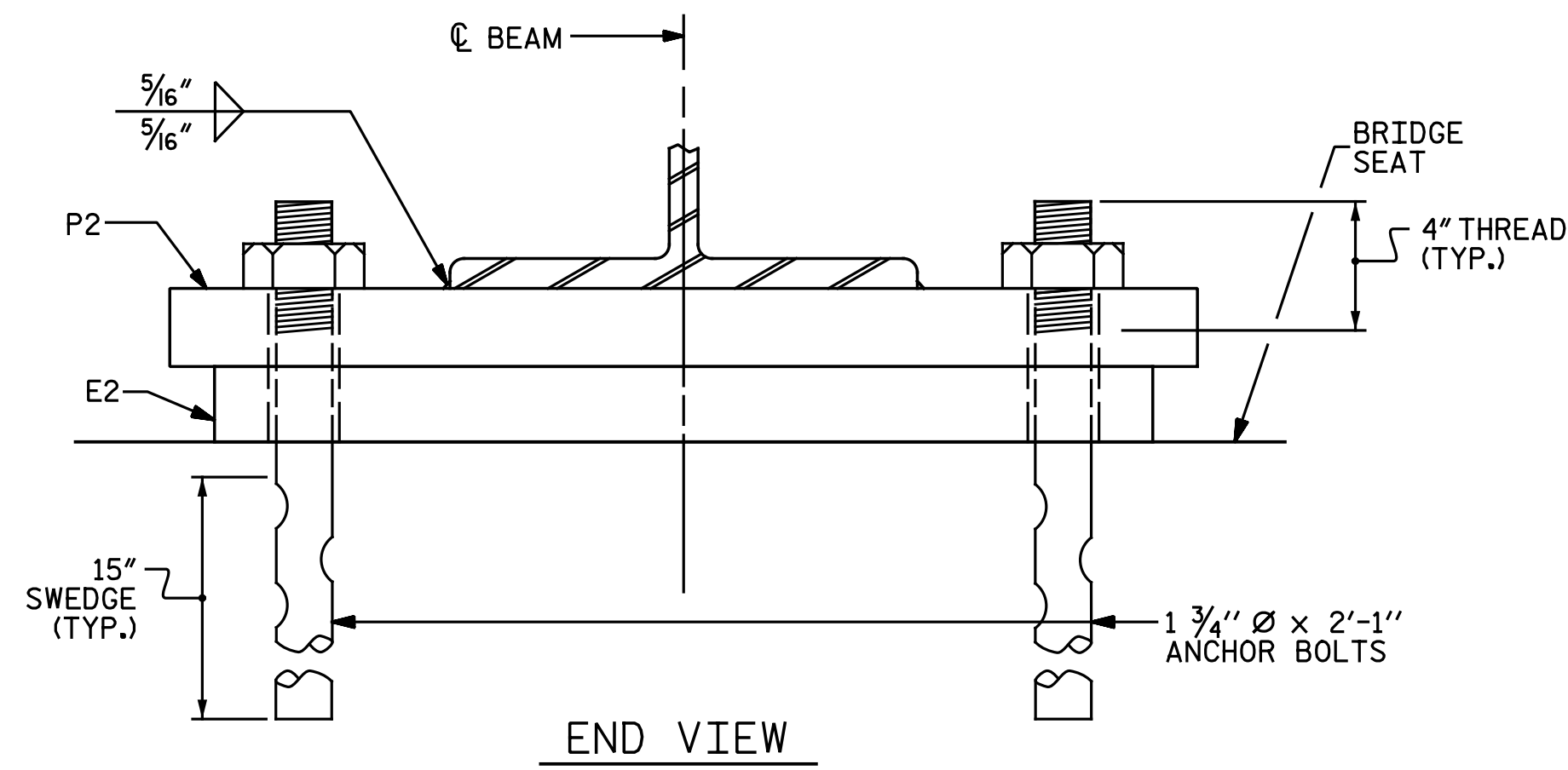
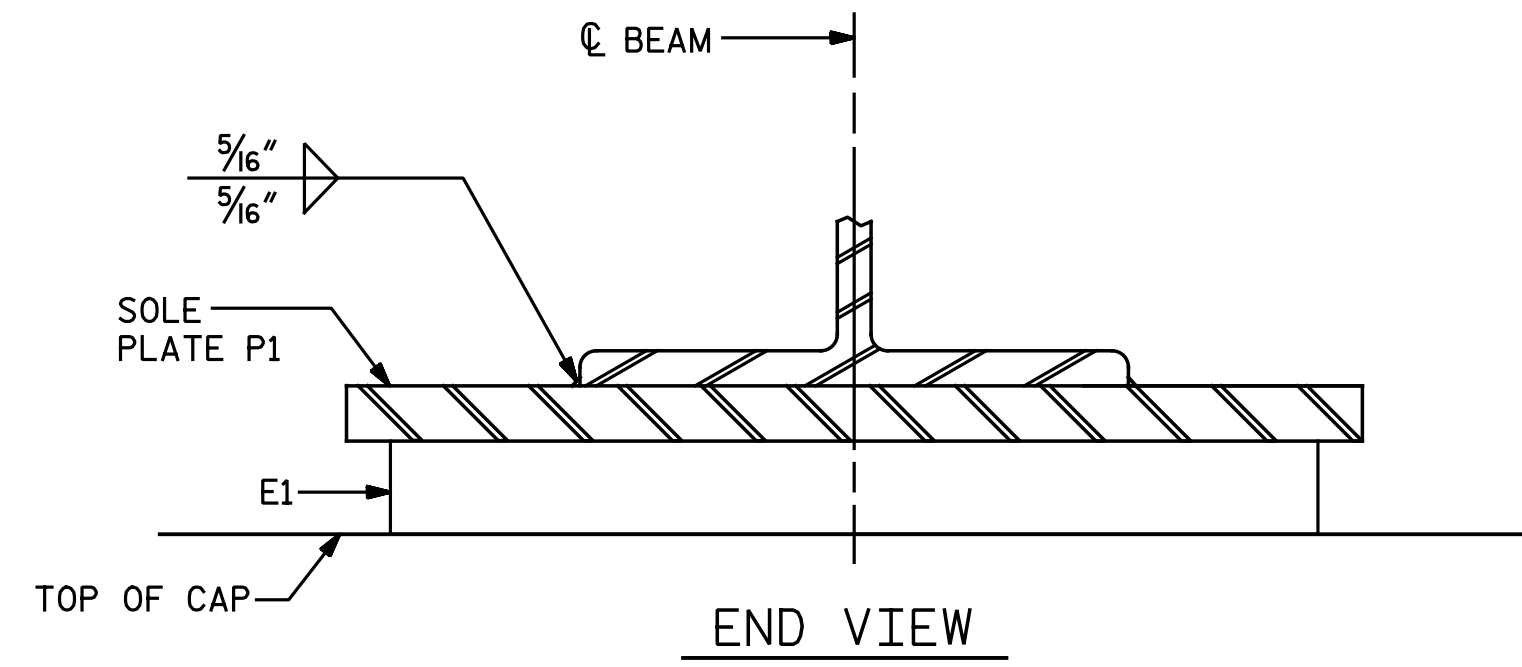
FOR PAINTED STRUCTURAL STEEL (EXCLUDING AASHTO M270 GRADE 50W), SOLE PLATES, ANCHOR BOLTS, NUTS AND WASHERS SHALL BE GALVANIZED IN ACCORDANCE WITH THE STANDARD SPECIFICATIONS.

ANCHOR BOLTS SHALL MEET THE REQUIREMENTS OF ASTM A449. NUTS SHALL MEET THE REQUIREMENTS OF AASHTO M291-DH OR AASHTO M292-2H. WASHERS SHALL MEET THE REQUIREMENTS OF AASHTO M293. SHOP DRAWINGS ARE NOT REQUIRED FOR ANCHOR BOLTS, NUTS AND WASHERS. SHOP INSPECTION IS REQUIRED.

ALL SURFACES OF BEARING PLATES SHALL BE SMOOTH AND STRAIGHT.

THE ELASTOMER IN THE STEEL REINFORCED BEARINGS SHALL HAVE A SHEAR MODULUS OF 0.160 KSI, IN ACCORDANCE WITH AASHTO M251.

FOR STEEL REINFORCED ELASTOMERIC BEARINGS, SEE SPECIAL PROVISIONS.



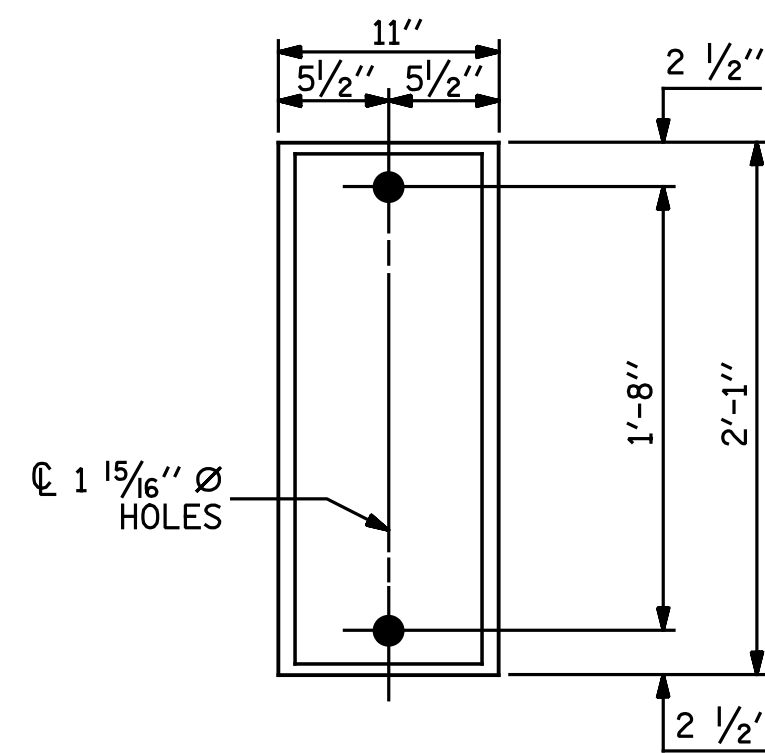
E1 (16 REQ'D) STAGE I
E1 (14 REQ'D) STAGE II

PLAN VIEW OF ELASTOMERIC BEARING

TYPE IV

(NCDOT STANDARD BEARING FOR PRESTRESSED CONCRETE GIRDER SUPERSTRUCTURES)

MAXIMUM ALLOWABLE SERVICE LOADS	
D.L.+L.L. (NO IMPACT)	
TYPE IV	225 k



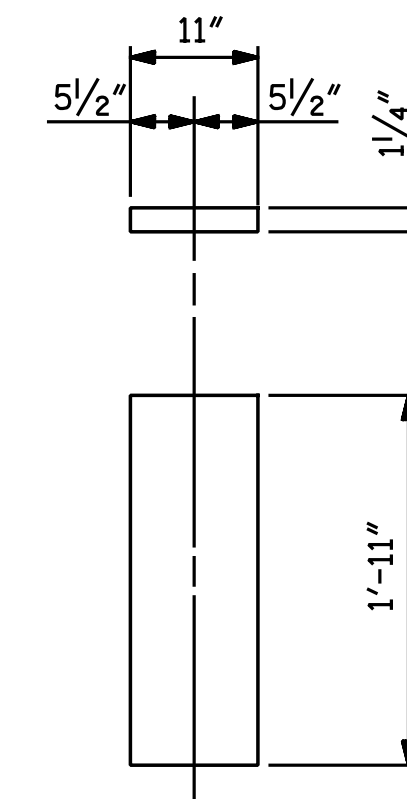
E2 (16 REQ'D) STAGE I
E2 (14 REQ'D) STAGE II

PLAN VIEW OF ELASTOMERIC BEARING

TYPE IV

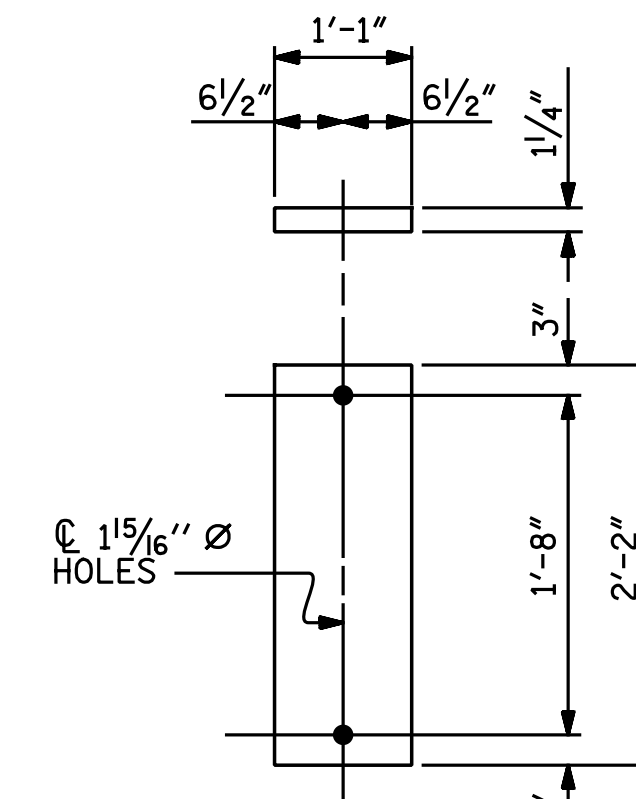
(NCDOT STANDARD BEARING FOR STEEL SUPERSTRUCTURES)

MAXIMUM ALLOWABLE SERVICE LOADS	
D.L.+L.L. (NO IMPACT)	
TYPE IV	310 k



(16 REQ'D STAGE I)
(14 REQ'D STAGE II)

SOLE PLATE DETAILS ("P")



(16 REQ'D STAGE I)
(14 REQ'D STAGE II)

PROJECT NO. U-3330
NASH COUNTY
STATION: 61+03.00 -L-

DOCUMENT NOT CONSIDERED FINAL UNLESS ALL SIGNATURES COMPLETED



DocuSigned by:
Todd M. Garrison
01EAF7523943466
2/3/2017

Michael Baker INTERNATIONAL

Michael Baker Engineering
8000 Regency Parkway, Suite 600
Cary, North Carolina 27518
NC License No.: F-1084

STATE OF NORTH CAROLINA
DEPARTMENT OF TRANSPORTATION
RALEIGH
SUPERSTRUCTURE
ELASTOMERIC BEARING
DETAILS

REVISIONS

NO.	BY:	DATE:	NO.	BY:	DATE:
1			3		
2			4		

SHEET NO. S3-17
TOTAL SHEETS 42

DRAWN BY: M. D. MAYHEW DATE: 12-7-16
CHECKED BY: J. M. GARRISON DATE: 12-8-16