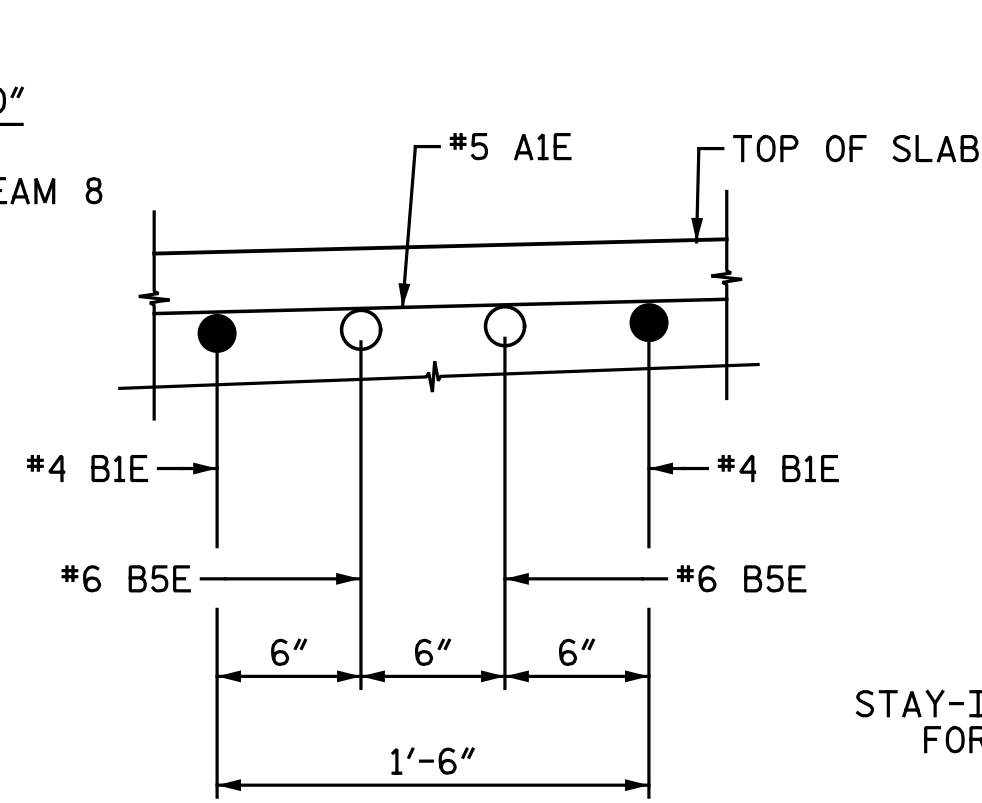


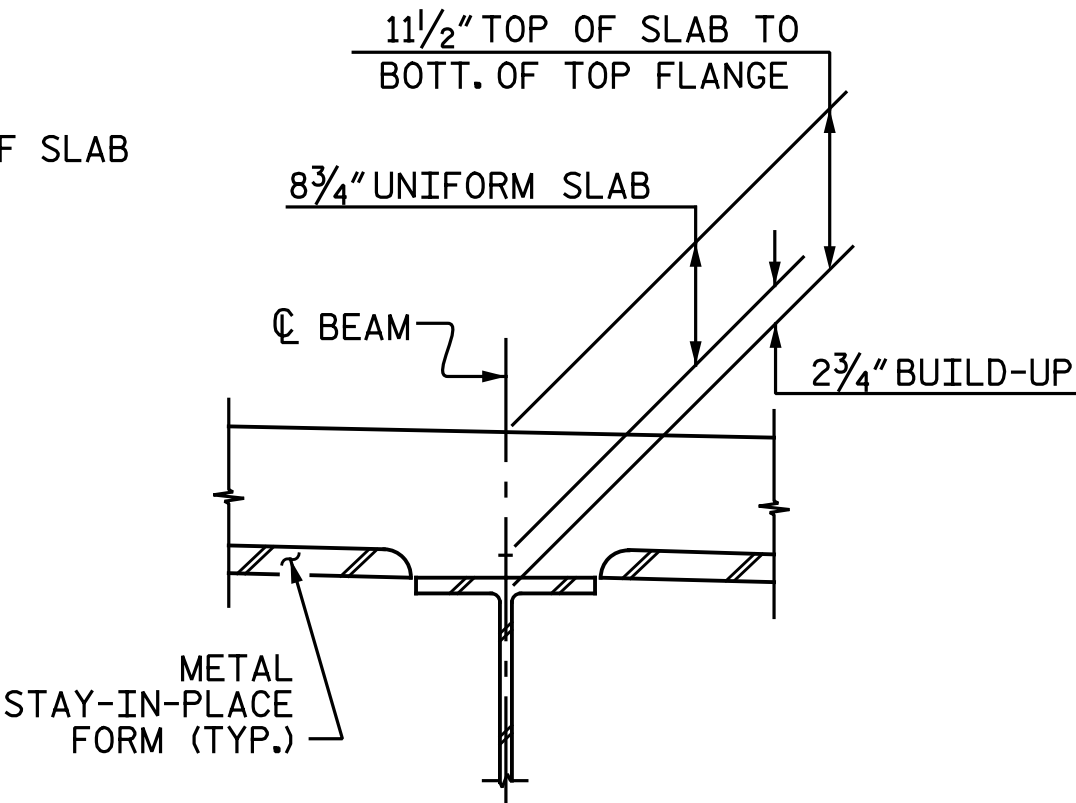
PARTIAL SECTION AT INTERMEDIATE DIAPHRAGM

PARTIAL SECTION AT BENT DIAPHRAGM

TYPICAL SECTION - STAGE I



DETAIL "A"



DETAIL "B"

PROJECT NO. U-3330

NASH COUNTY

STATION: 61+03.00 -L-

SHEET 3 OF 4

DRAWN BY : C. E. MAYHEW DATE : 12-13-16  
 CHECKED BY : J. M. GARRISON DATE : 12-15-16

DOCUMENT NOT CONSIDERED FINAL UNLESS ALL SIGNATURES COMPLETED



DocuSigned by:  
 Todd M. Garrison  
 61EAF7523943466  
 2/3/2017

**Michael Baker**  
 INTERNATIONAL

Michael Baker Engineering  
 8000 Regency Parkway, Suite 600  
 Cary, North Carolina 27518  
 NC License No.: F-1084

STATE OF NORTH CAROLINA  
 DEPARTMENT OF TRANSPORTATION  
 RALEIGH  
 SUPERSTRUCTURE  
 TYPICAL SECTIONS

STAGE I

REVISIONS						SHEET NO.
NO.	BY:	DATE:	NO.	BY:	DATE:	S3-9
1			3			TOTAL SHEETS
2			4			42