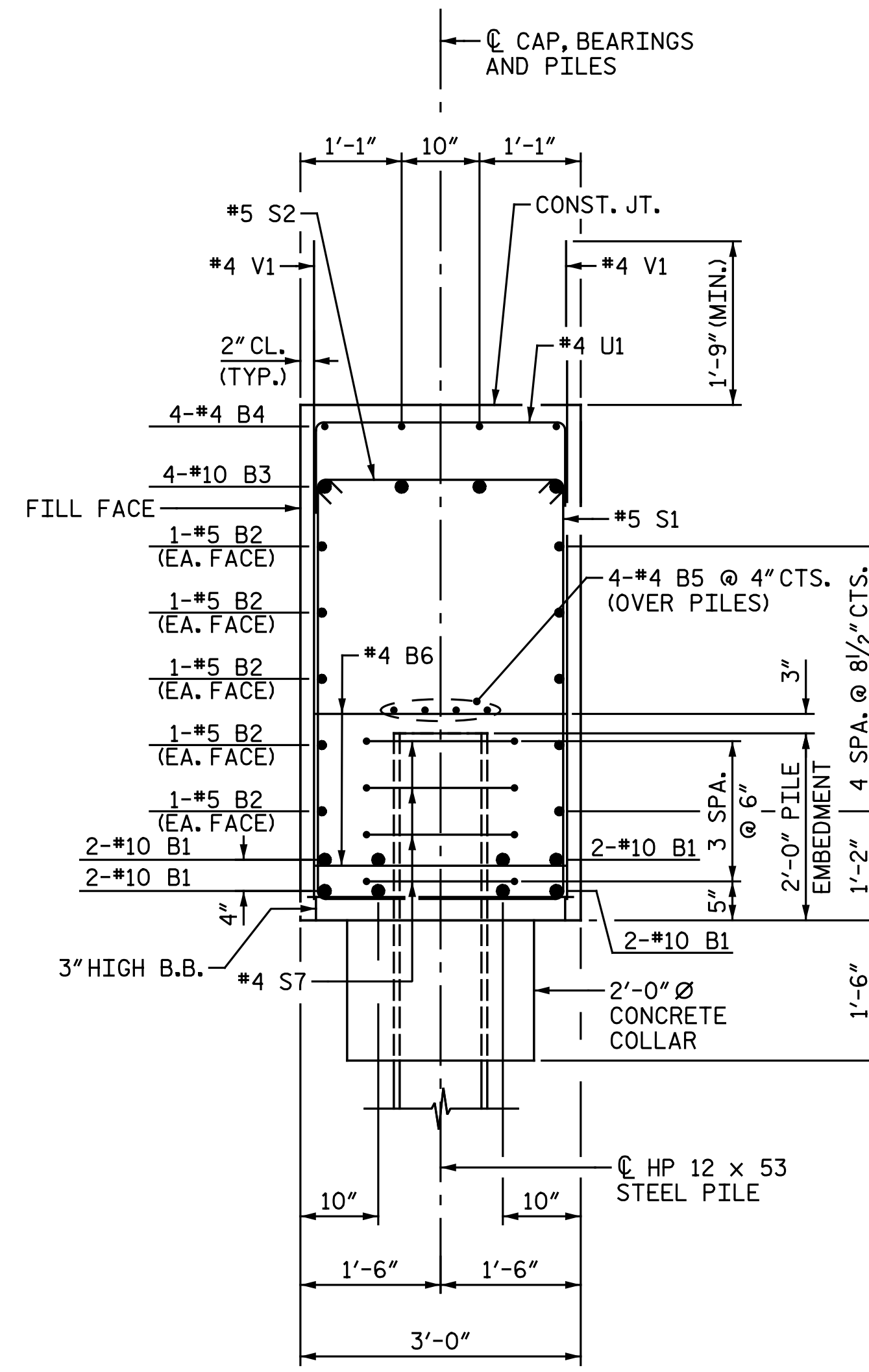
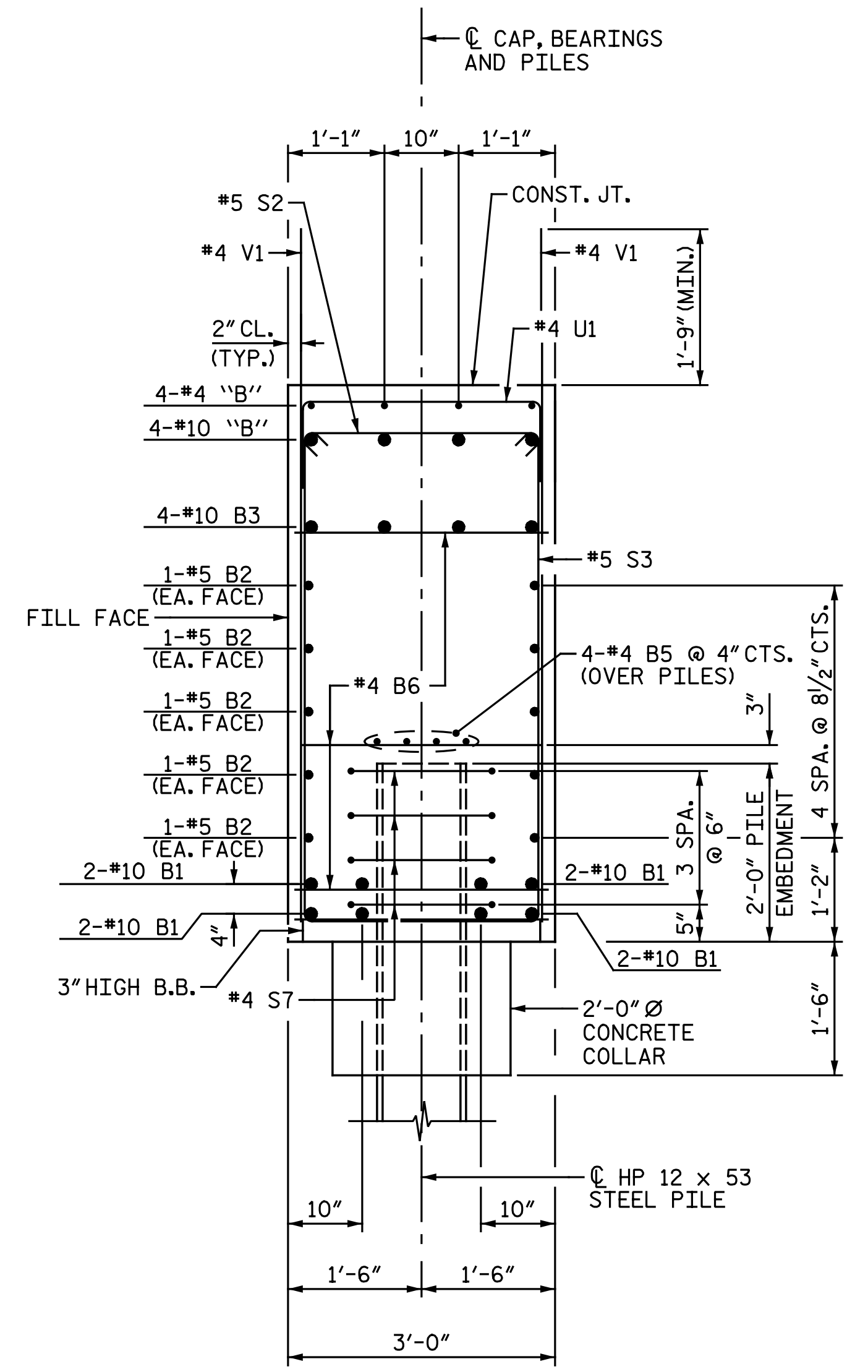


SECTION A-A



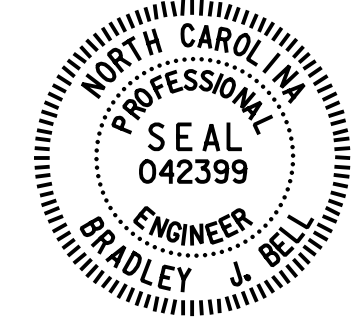
SECTION B-B



SECTION C-C

PROJECT NO. U-3330
NASH COUNTY
 STATION: 18+22.61 -Y1-
 SHEET 1 OF 2

DRAWN BY : M. D. MAYHEW DATE : 8-17-16
 CHECKED BY : A. H. SHARPE DATE : 8-19-16

DOCUMENT NOT CONSIDERED FINAL UNLESS ALL SIGNATURES COMPLETED	 DocuSigned by: Bradley J. Bell CA1A3F8EC3A3434 1/27/2017		STATE OF NORTH CAROLINA DEPARTMENT OF TRANSPORTATION RALEIGH SUBSTRUCTURE INTEGRAL END BENT 2 DETAILS RIGHT LANES		SHEET NO. S2-34
	REVISIONS				TOTAL SHEETS 39
	NO.	BY:	DATE:	NO.	
1			3		
2			4		

Michael Baker International
 Michael Baker Engineering
 8000 Regency Parkway, Suite 600
 Cary, North Carolina 27518
 NC License No.: F-1084