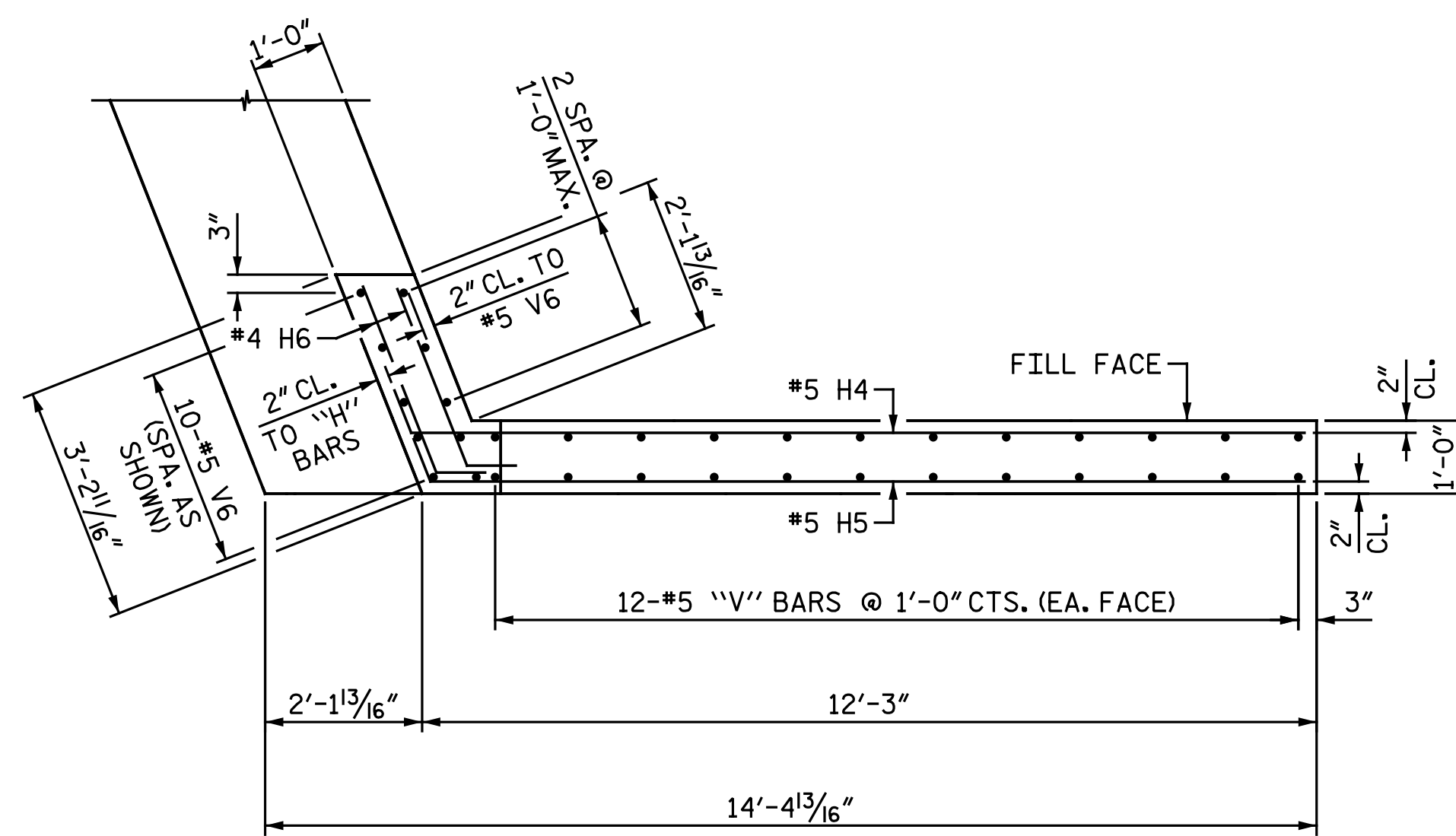
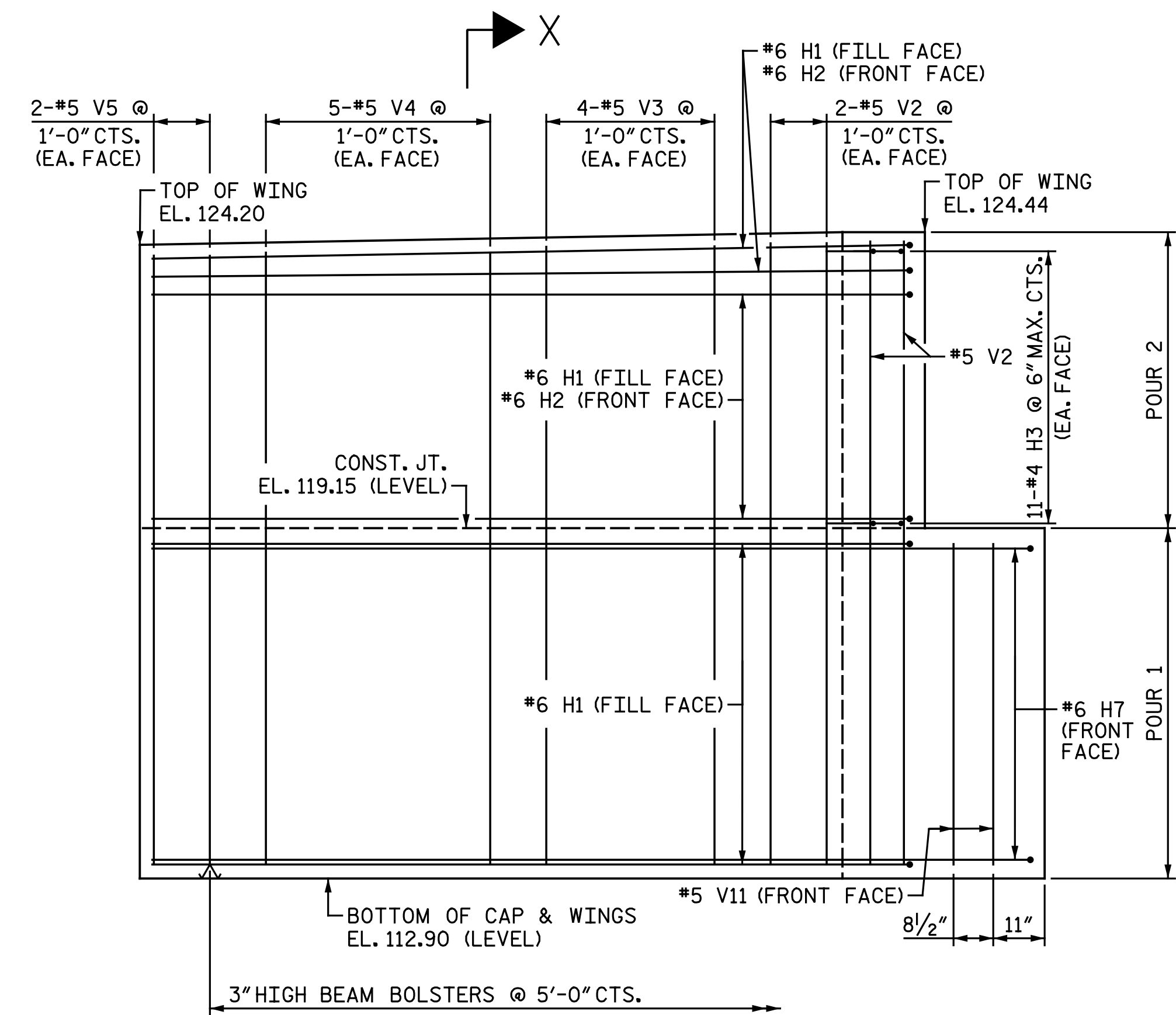


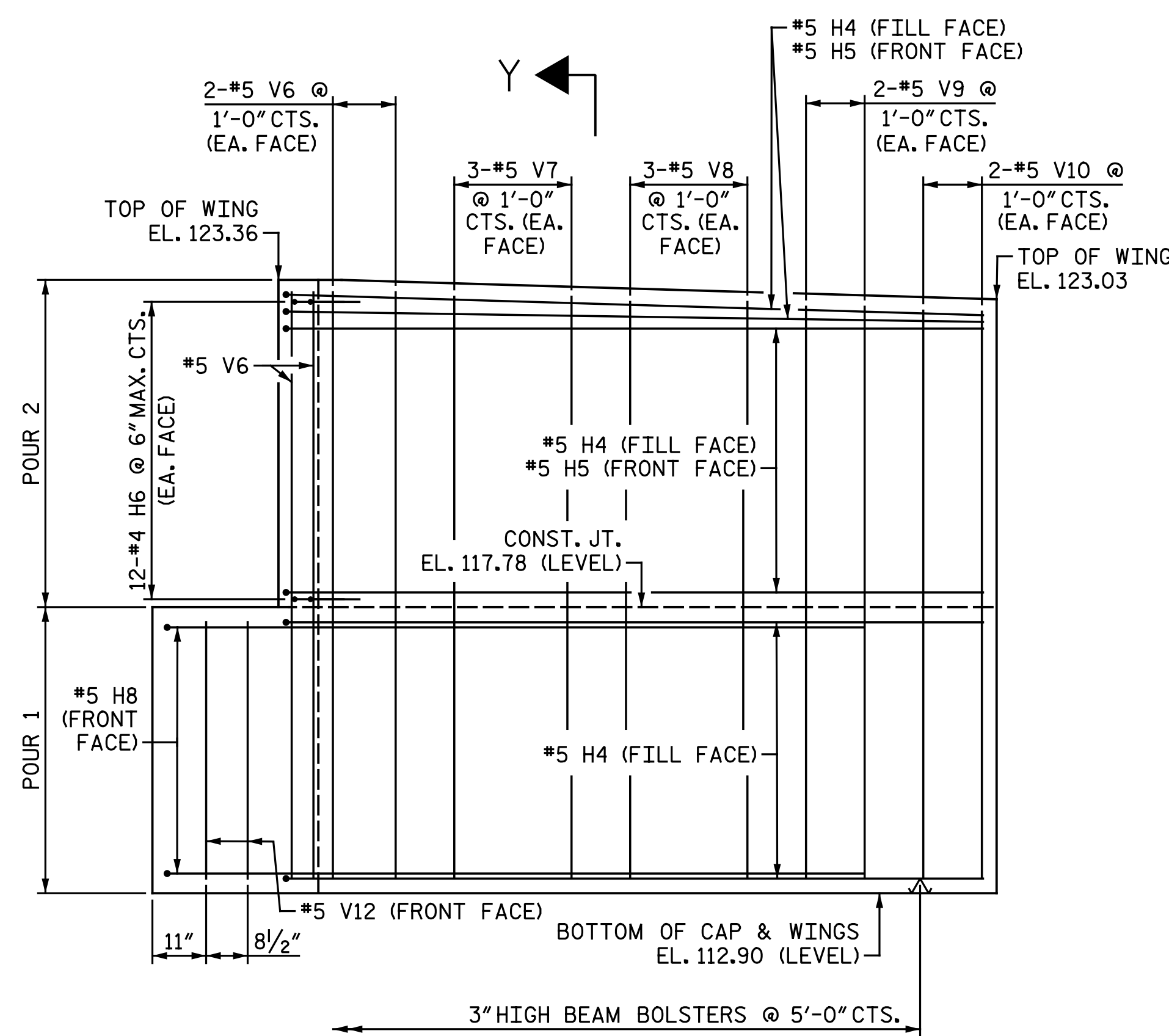
PLAN OF LEFT WING WALL (W3)



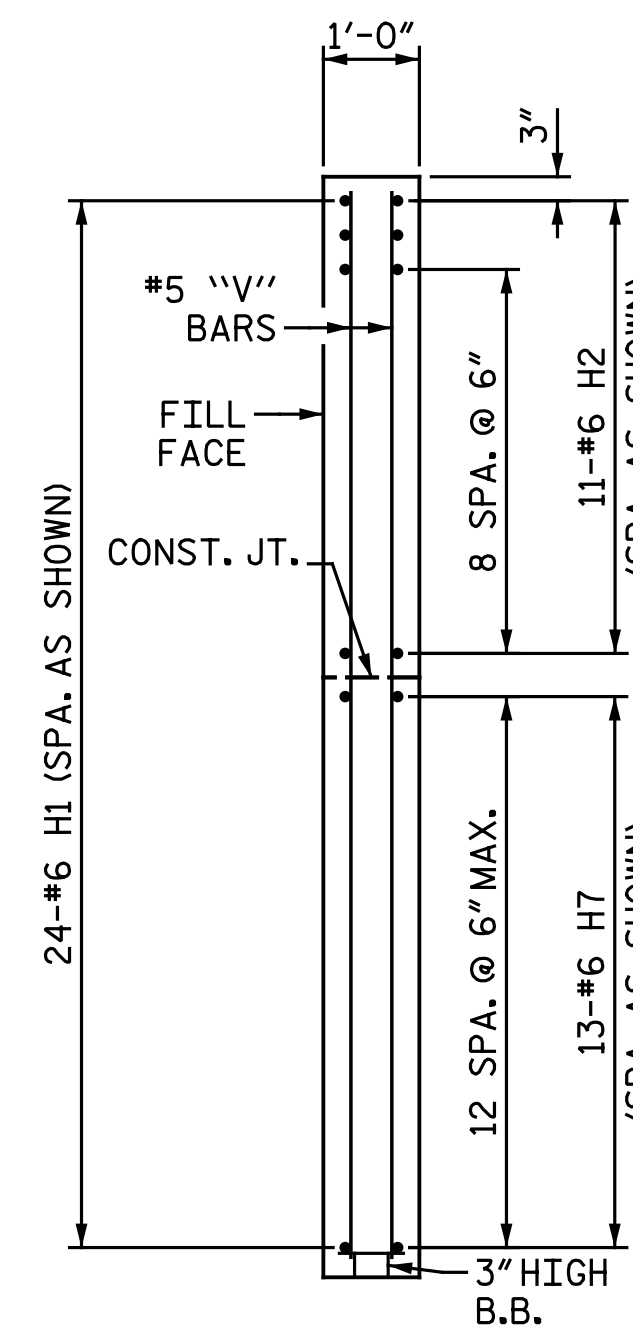
PLAN OF RIGHT WING WALL (W4)



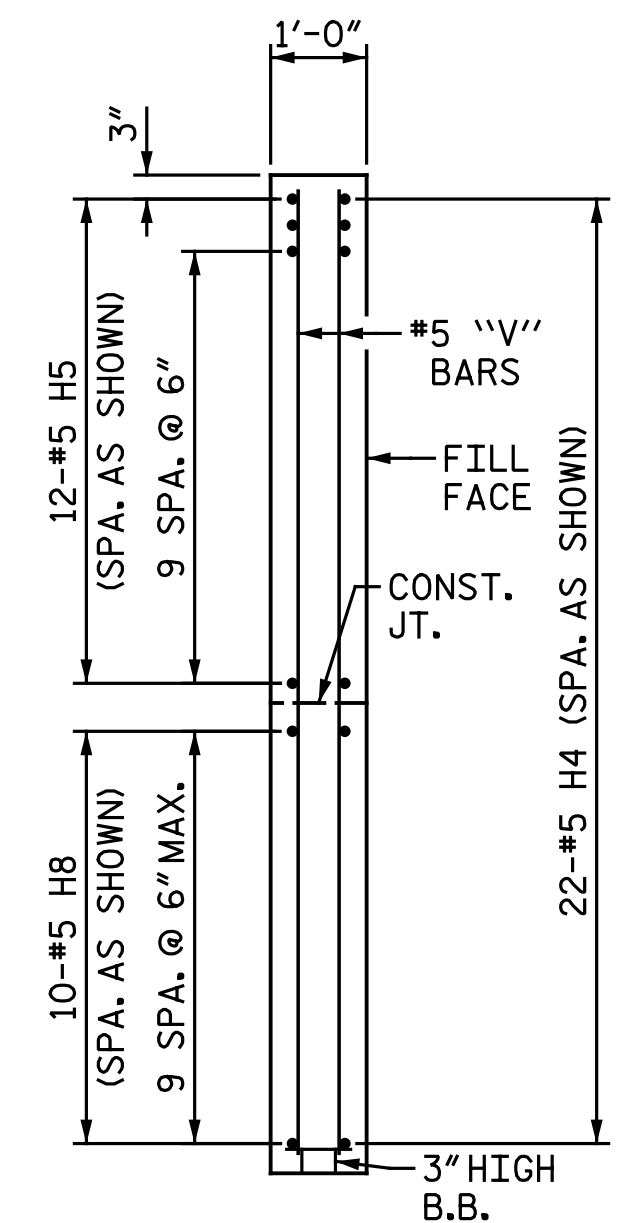
ELEVATION OF LEFT WING WALL (W3)



ELEVATION OF RIGHT WING WALL (W4)



SECTION X-X



SECTION Y-Y

PROJECT NO. U-3330  
NASH COUNTY  
 STATION: 18+22.61 -Y1-  
 SHEET 2 OF 2

DRAWN BY: M. D. MAYHEW DATE: 8-16-16  
 CHECKED BY: A. H. SHARPE DATE: 8-19-16

DOCUMENT NOT CONSIDERED FINAL UNLESS ALL SIGNATURES COMPLETED	 Documented by: Bradley J. Bell 1/27/2017	STATE OF NORTH CAROLINA DEPARTMENT OF TRANSPORTATION RALEIGH SUBSTRUCTURE INTEGRAL END BENT 2 RIGHT LANES																	
		Michael Baker Engineering 8000 Regency Parkway, Suite 600 Cary, North Carolina 27518 NC License No.: F-1084																	
	REVISIONS <table border="1"> <thead> <tr> <th>NO.</th> <th>BY:</th> <th>DATE:</th> <th>NO.</th> <th>BY:</th> <th>DATE:</th> </tr> </thead> <tbody> <tr> <td>1</td> <td></td> <td></td> <td>3</td> <td></td> <td></td> </tr> <tr> <td>2</td> <td></td> <td></td> <td>4</td> <td></td> <td></td> </tr> </tbody> </table>		NO.	BY:	DATE:	NO.	BY:	DATE:	1			3			2			4	
NO.	BY:	DATE:	NO.	BY:	DATE:														
1			3																
2			4																

SHEET NO.  
S2-33  
 TOTAL SHEETS  
39