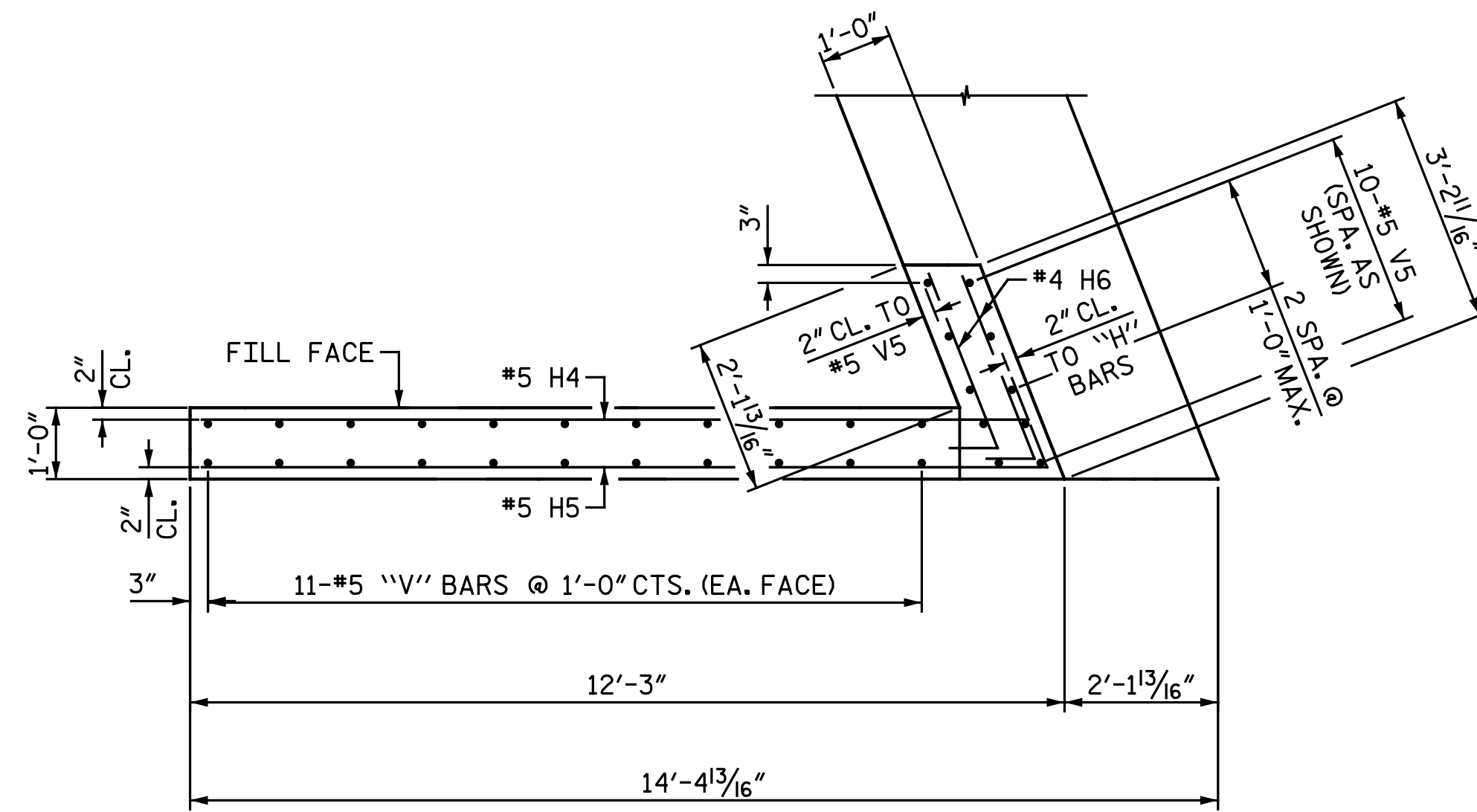
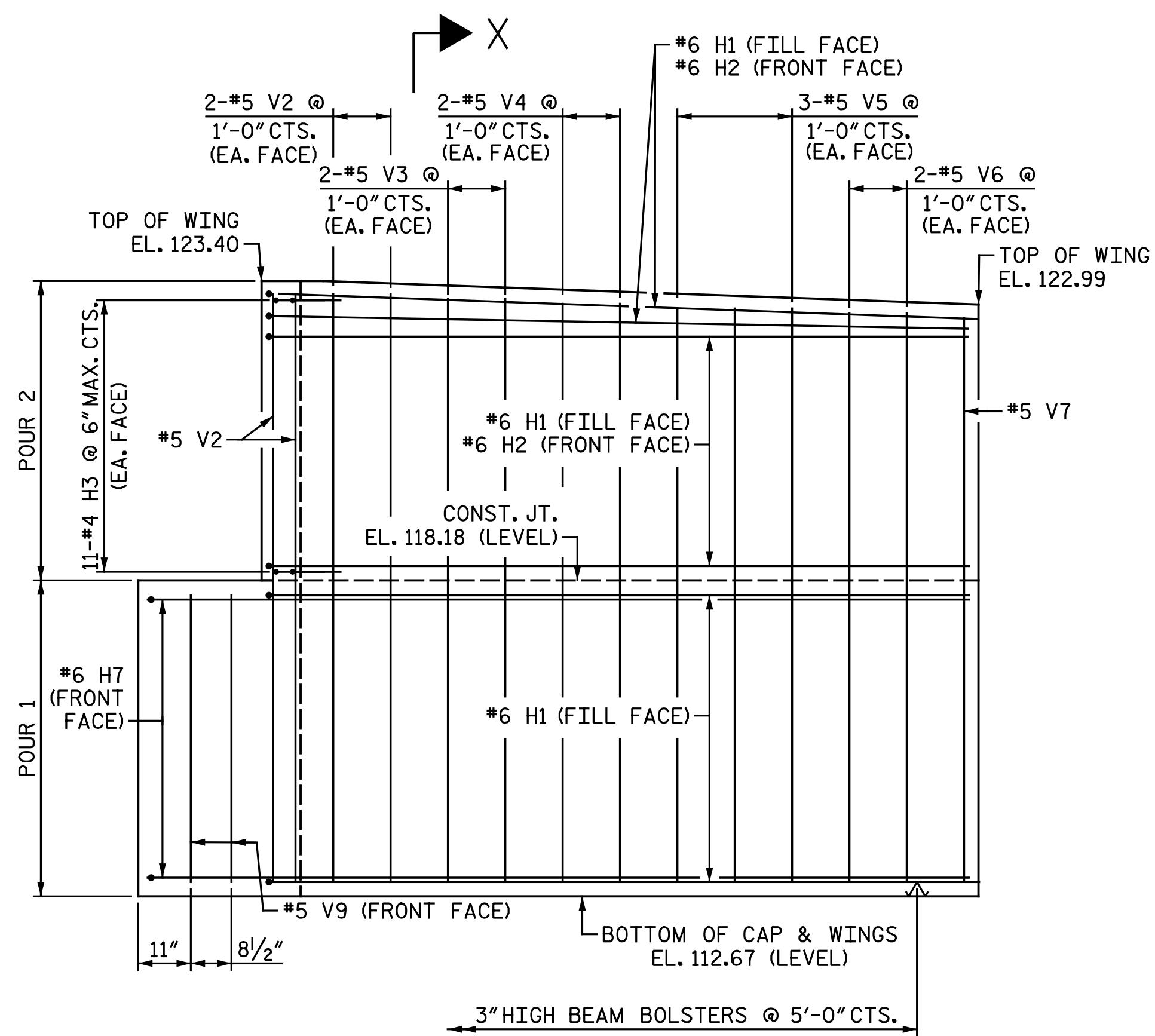


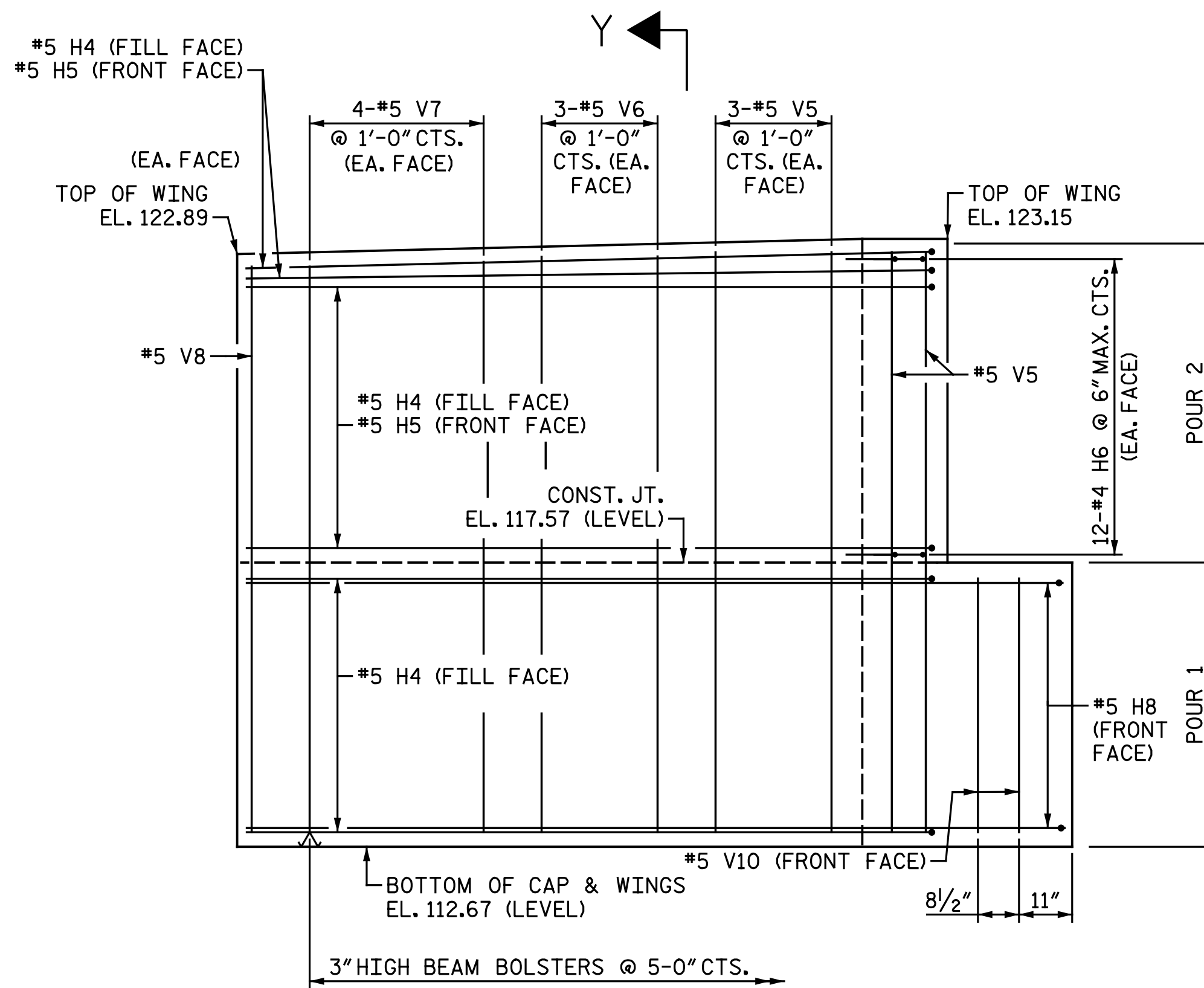
PLAN OF LEFT WING WALL (W1)



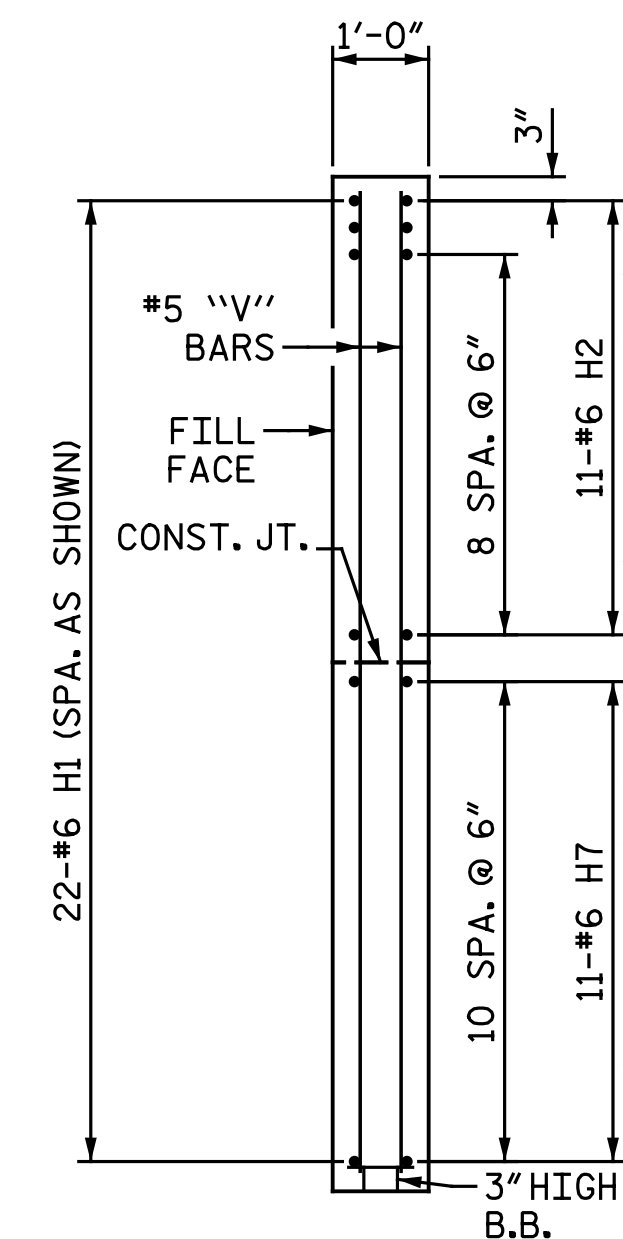
PLAN OF RIGHT WING WALL (W2)



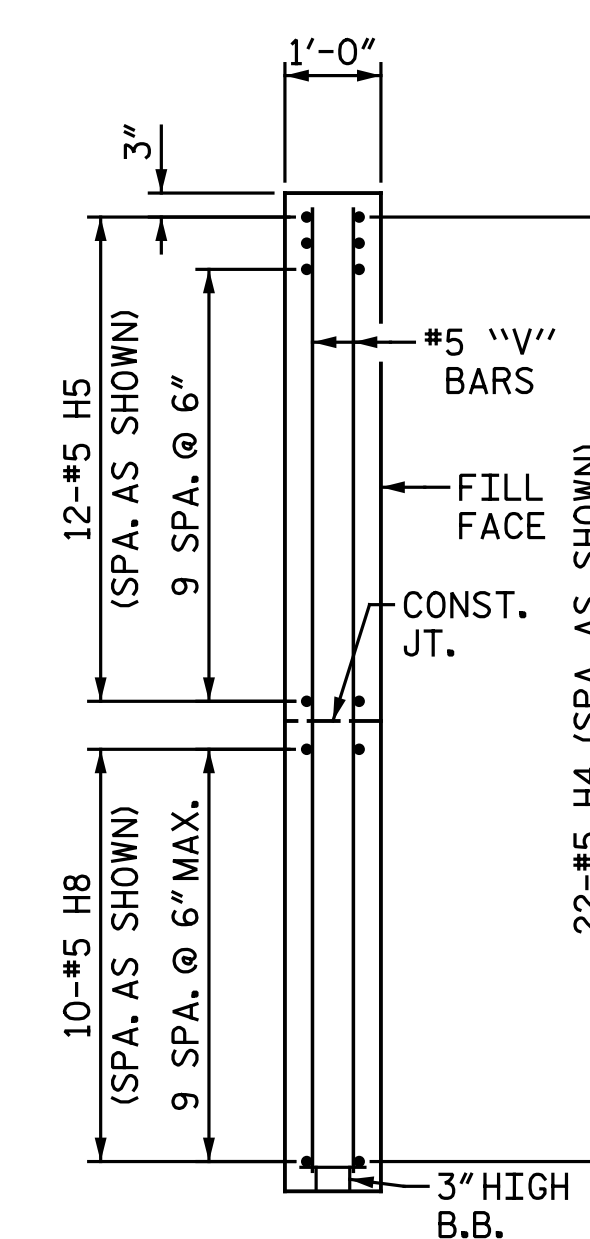
ELEVATION OF LEFT WING WALL (W1)



ELEVATION OF RIGHT WING WALL (W2)



SECTION X-X



SECTION Y-Y

PROJECT NO. U-3330  
NASH COUNTY  
 STATION: 18+22.61 -Y1-  
 SHEET 2 OF 2

DRAWN BY : M. D. MAYHEW DATE : 8-16-16  
 CHECKED BY : A. H. SHARPE DATE : 8-22-16

DOCUMENT NOT CONSIDERED FINAL  
 UNLESS ALL SIGNATURES COMPLETED



DocuSigned by:  
 Bradley J. Bell  
 CA1A3F8E3C3A34  
 1/27/2017

**Michael Baker**  
 INTERNATIONAL  
 Michael Baker Engineering  
 8000 Regency Parkway, Suite 600  
 Cary, North Carolina 27518  
 NC License No.: F-1084

STATE OF NORTH CAROLINA DEPARTMENT OF TRANSPORTATION RALEIGH					
SUBSTRUCTURE					
INTEGRAL END BENT 1					
RIGHT LANES					
REVISIONS					
NO.	BY:	DATE:	NO.	BY:	DATE:
1			3		
2			4		
SHEET NO. S2-27					TOTAL SHEETS 39