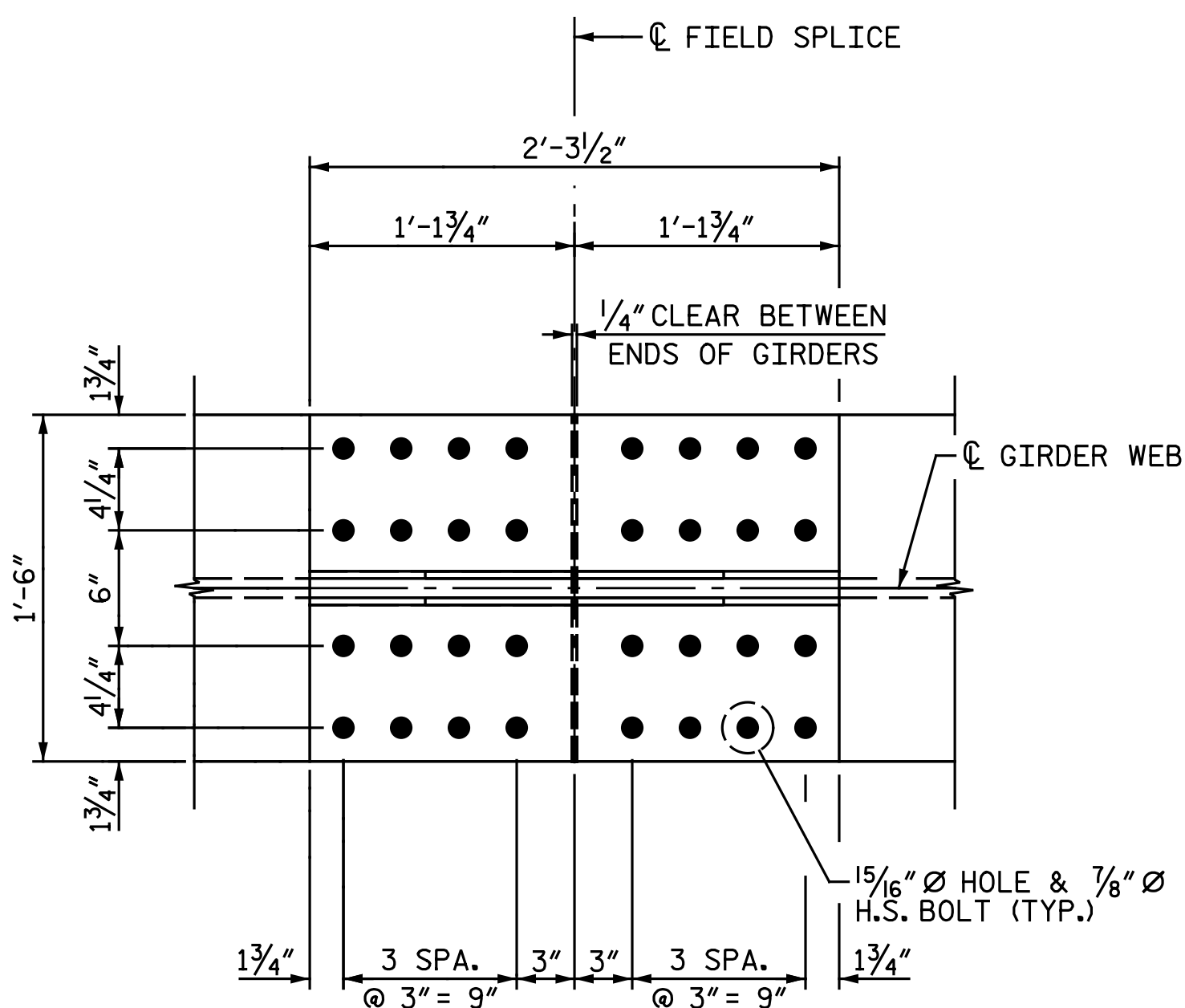
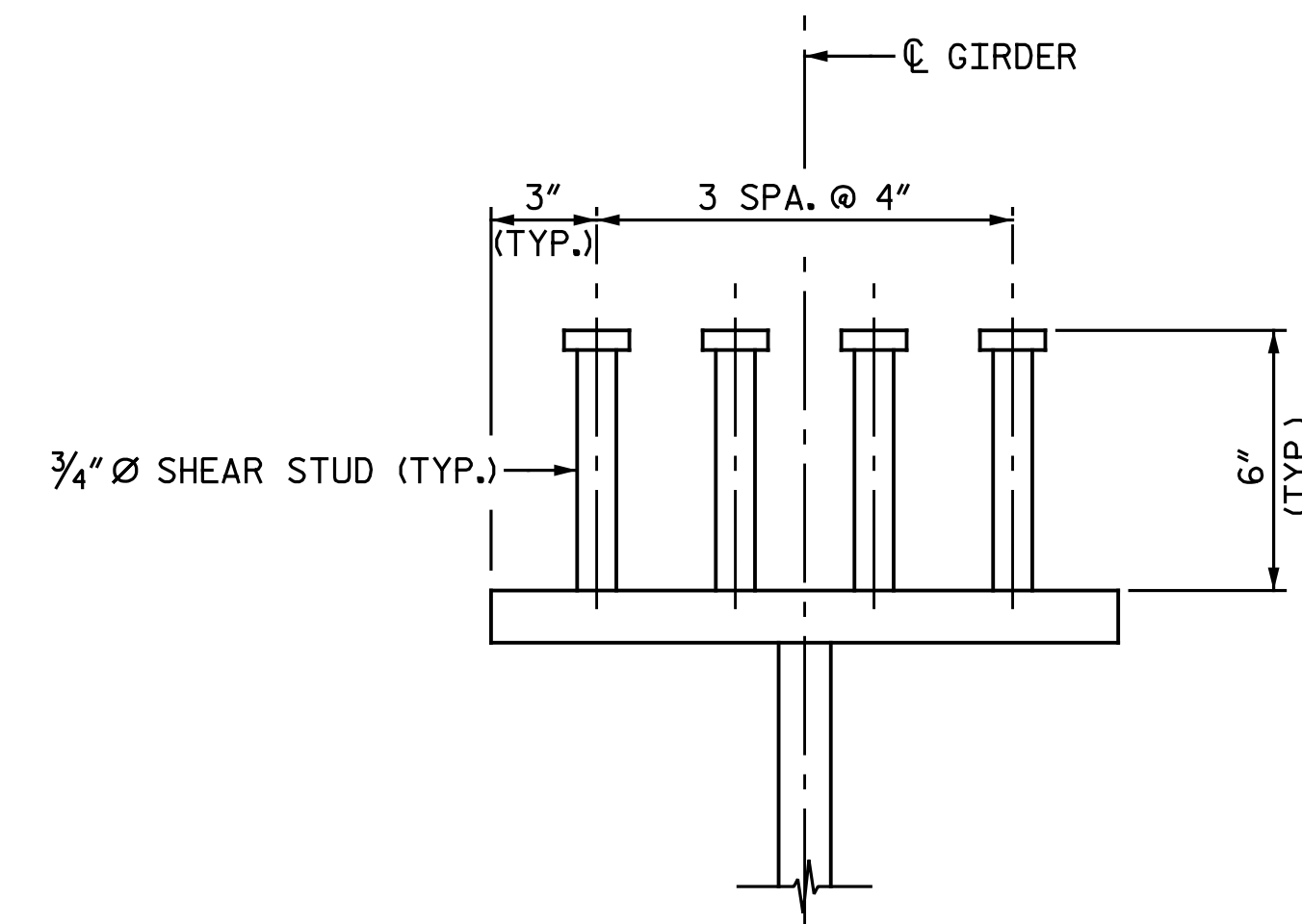


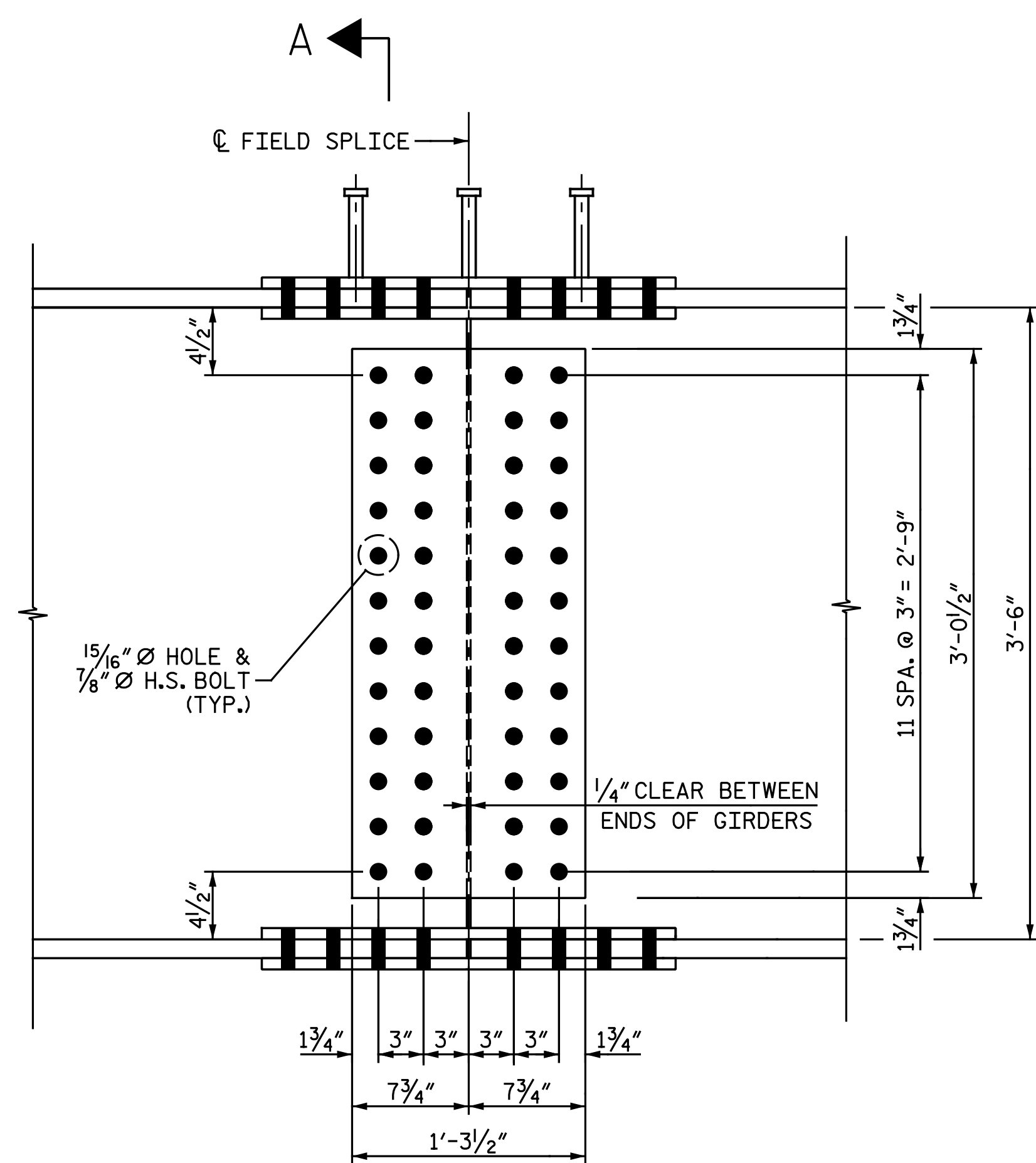
PLAN (TOP OF TOP FLANGE)



PLAN (TOP OF BOTTOM FLANGE)

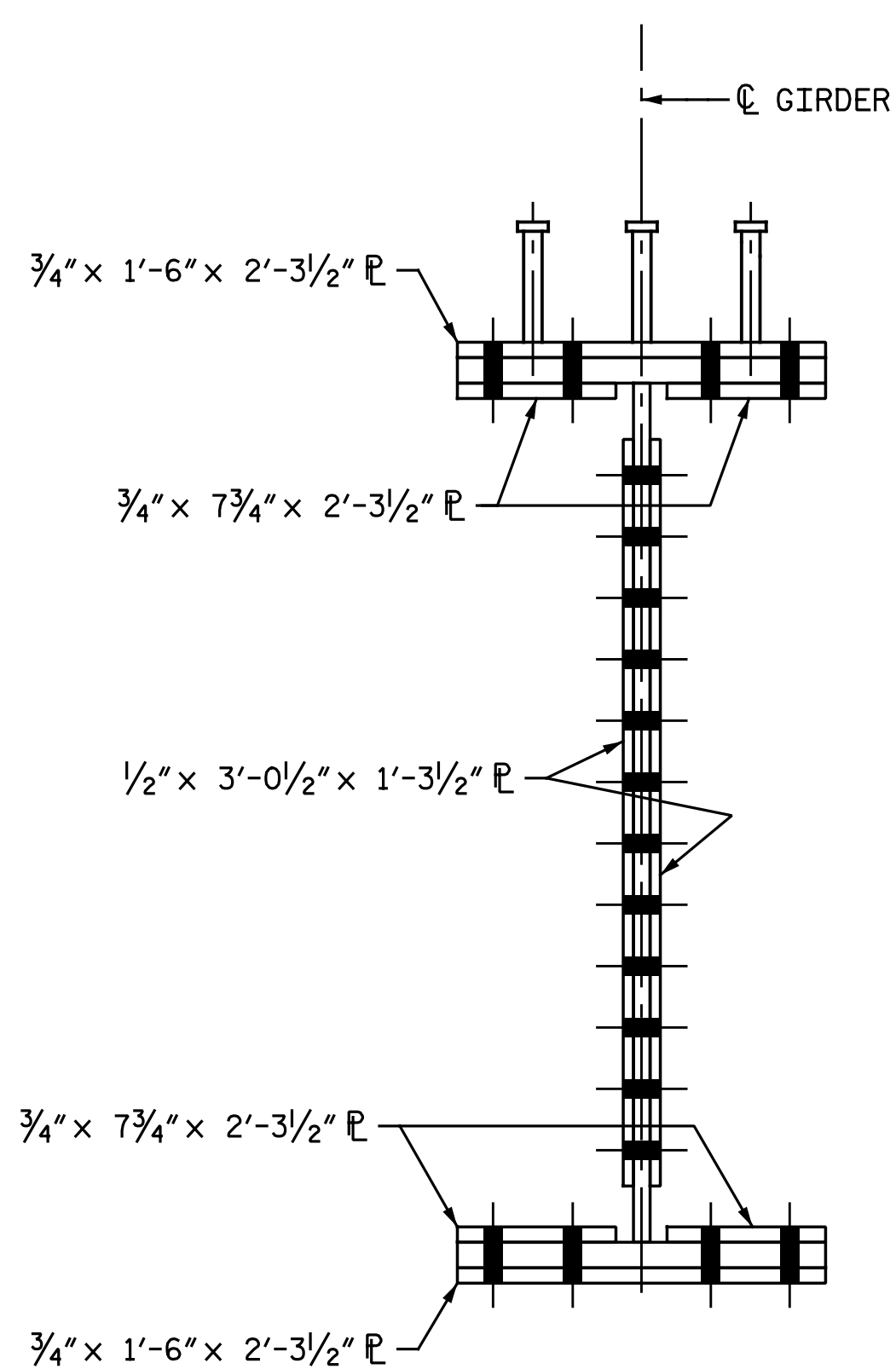


GIRDER SHEAR CONNECTORS
(EXCEPT AT BOLTED FIELD SPLICE)

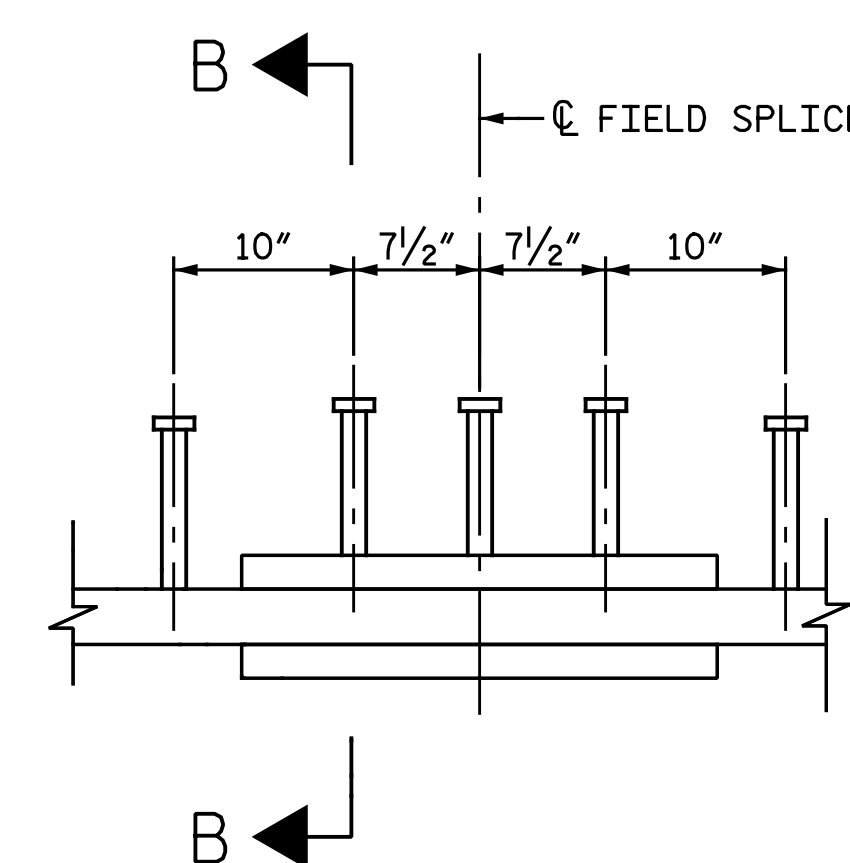


ELEVATION

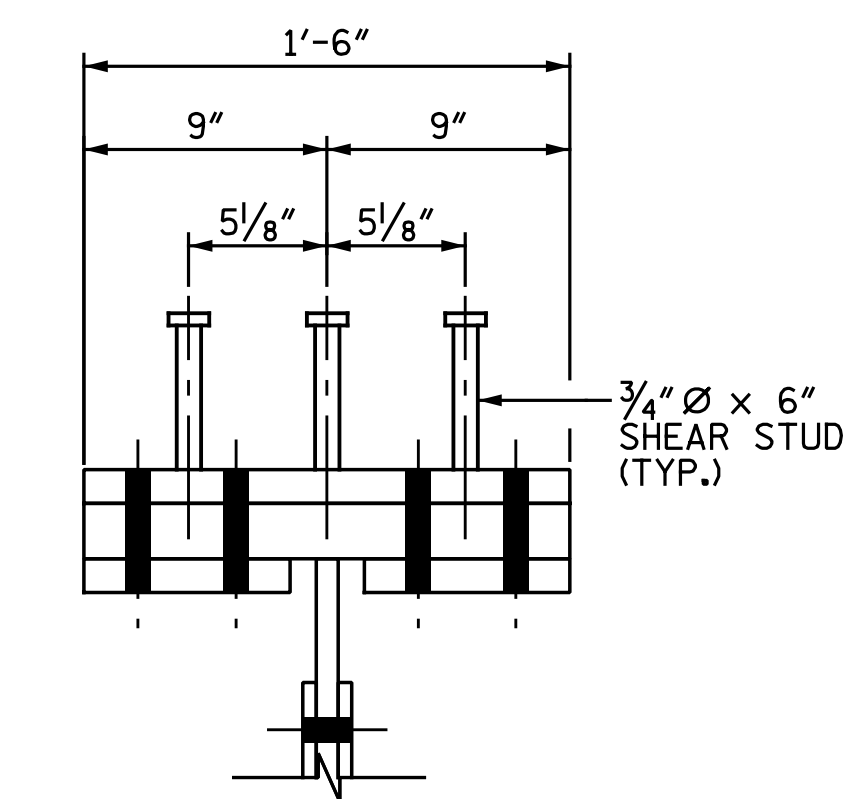
BOLTED FIELD SPLICE DETAILS



SECTION A-A



ELEVATION



SECTION B-B

SHEAR STUD DETAIL
FOR TOP FLANGE SPLICE PLATE

PROJECT NO. U-3330
NASH COUNTY
STATION: 18+22.61 -Y1-
SHEET 3 OF 3

DRAWN BY: M. D. MAYHEW DATE: 8-4-16
CHECKED BY: J. M. GARRISON DATE: 9-8-16

DOCUMENT NOT CONSIDERED FINAL UNLESS ALL SIGNATURES COMPLETED			STATE OF NORTH CAROLINA DEPARTMENT OF TRANSPORTATION RALEIGH SUPERSTRUCTURE STRUCTURAL STEEL DETAILS RIGHT LANES		SHEET NO. S2-12		
	REVISIONS				TOTAL SHEETS 39		
	NO.	BY:	DATE:	NO.		BY:	DATE:
	1			3			
2			4				

Michael Baker International
 Michael Baker Engineering
 8000 Regency Parkway, Suite 600
 Cary, North Carolina 27518
 NC License No.: F-1084