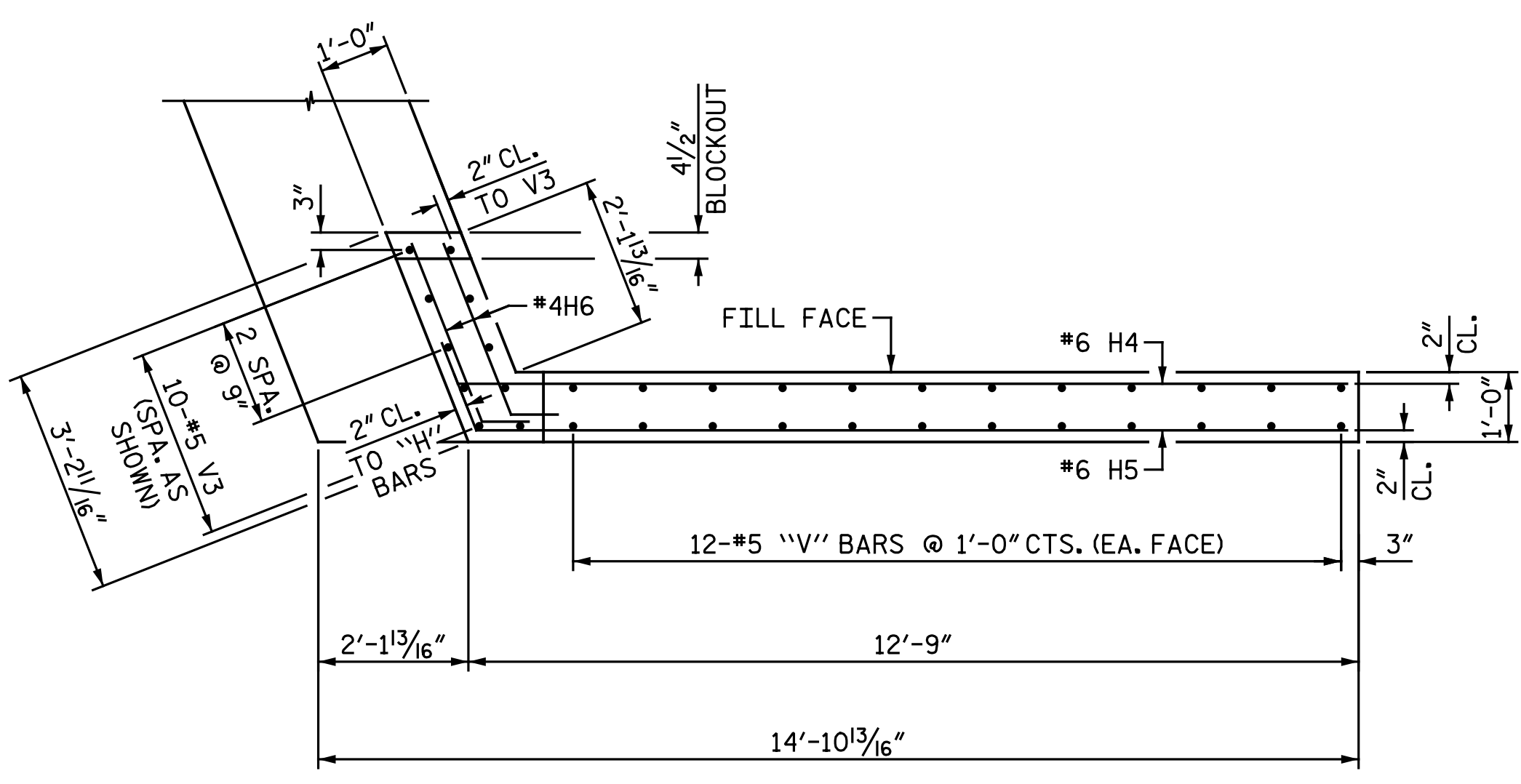
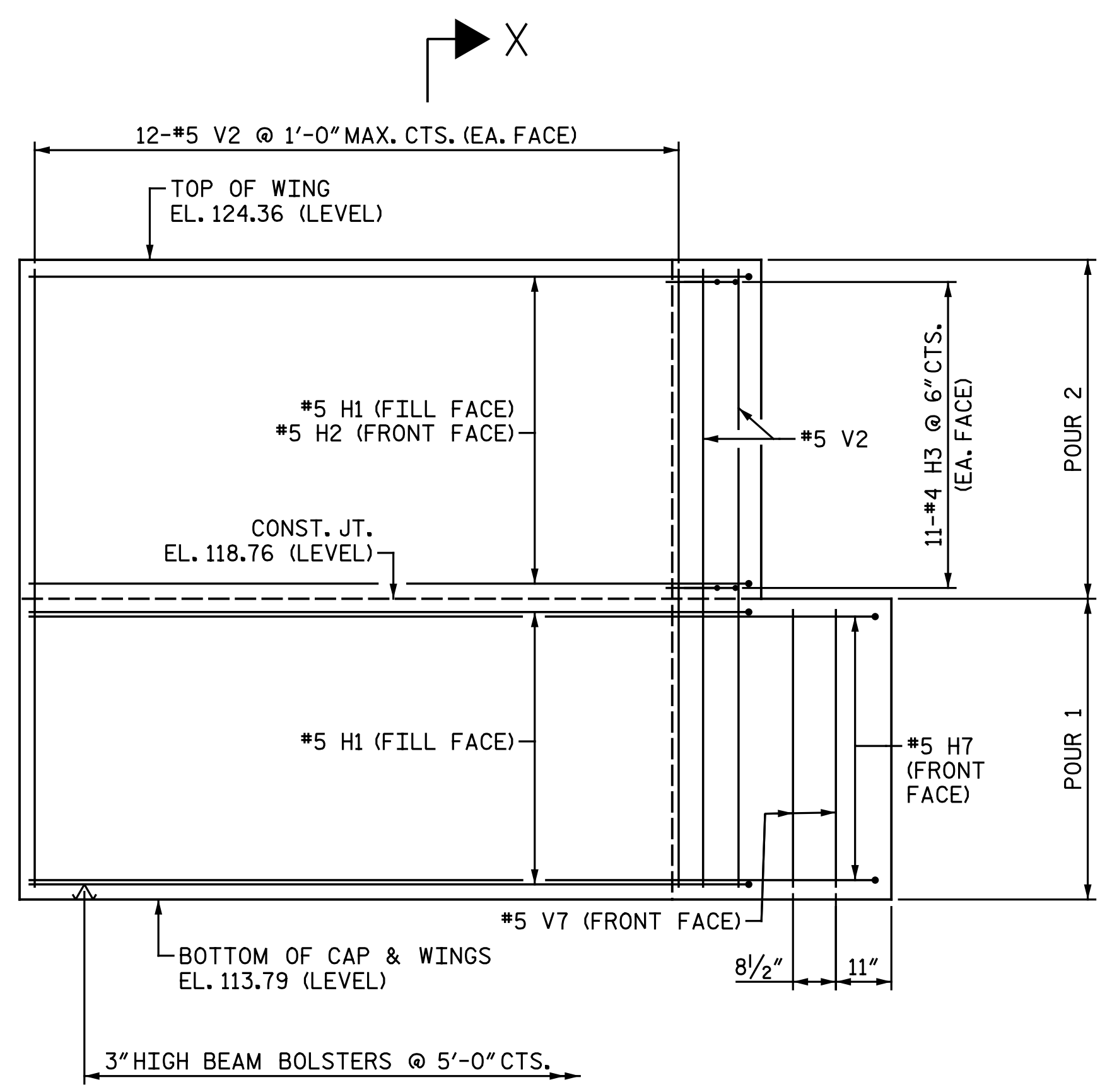


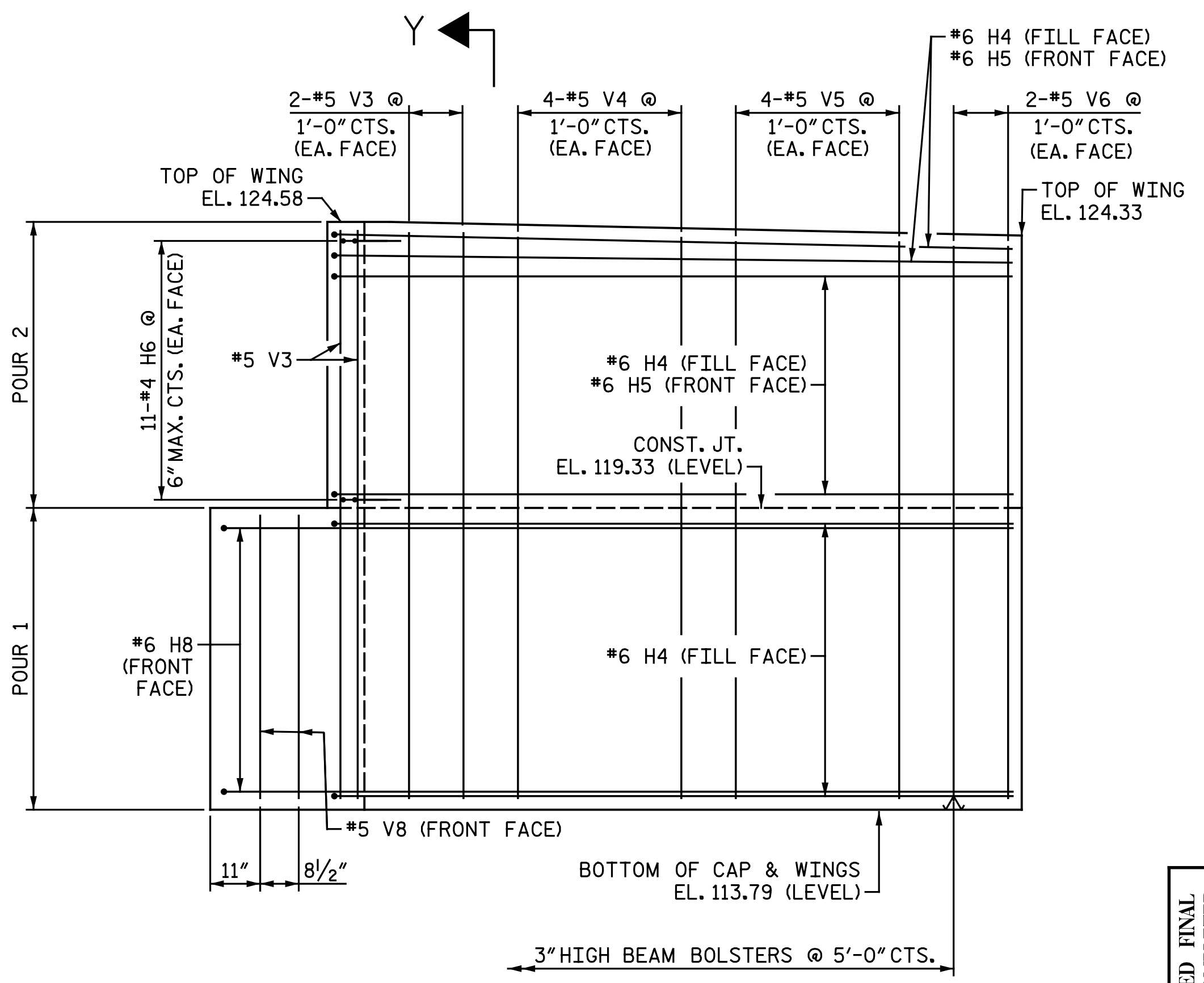
PLAN OF LEFT WING (W3)



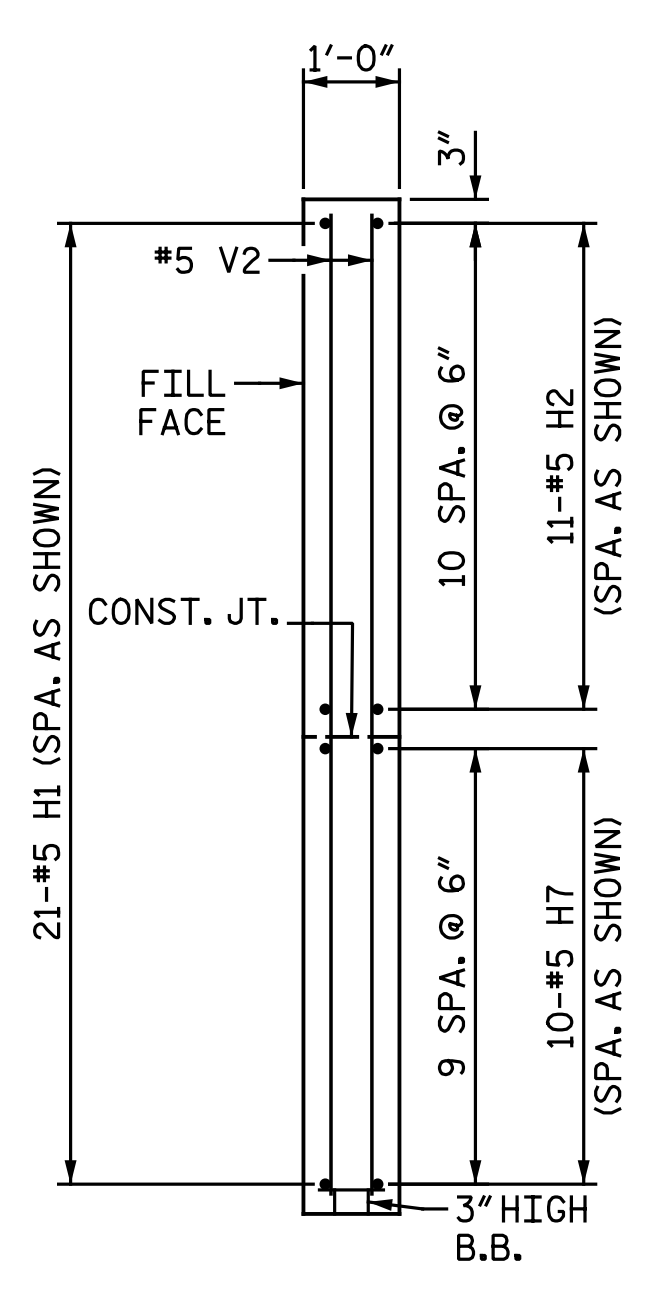
PLAN OF RIGHT WING (W4)



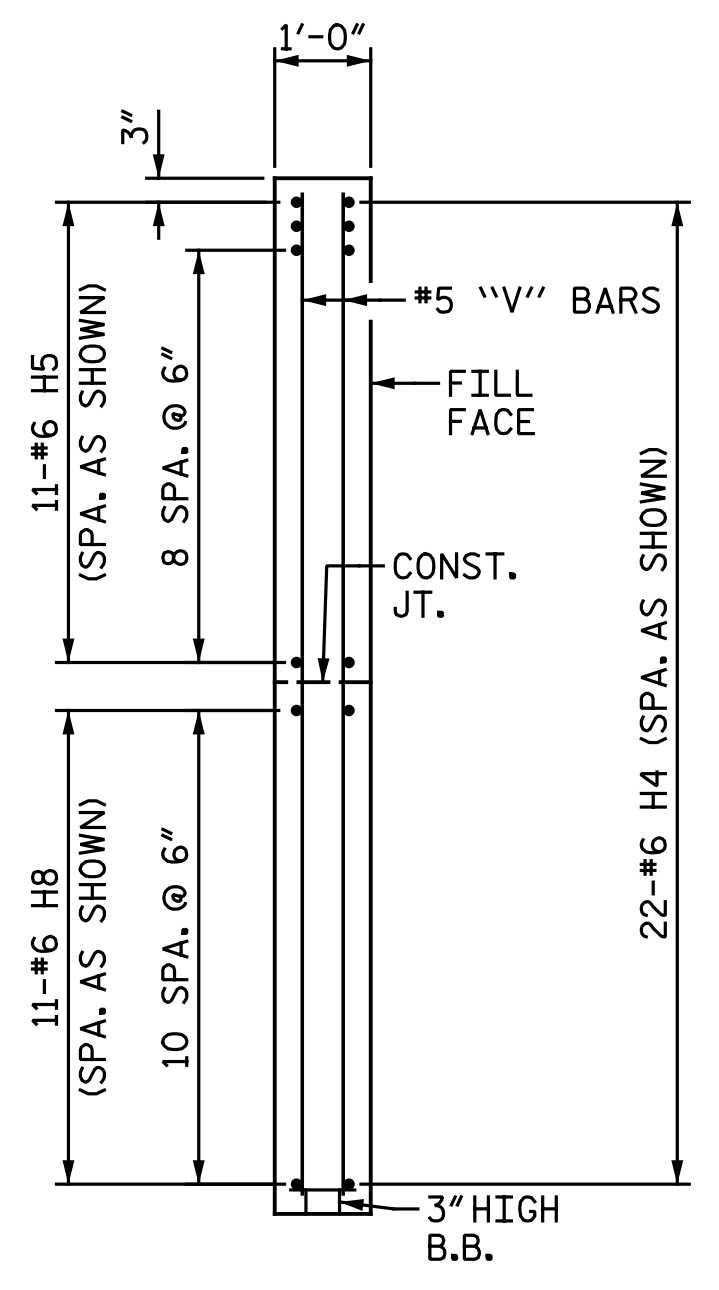
ELEVATION OF LEFT WING (W3)



ELEVATION OF RIGHT WING (W4)



SECTION X-X



SECTION Y-Y

PROJECT NO. U-3330
NASH COUNTY
 STATION: 18+22.61 -Y1-
 SHEET 2 OF 2

DRAWN BY: M. D. MAYHEW DATE: 8-9-16
 CHECKED BY: I. M. GARRISON DATE: 8-12-16

Professional Engineer Seal for Bradley J. Bell, License No. 042399, State of North Carolina. The seal is circular with the text 'NORTH CAROLINA PROFESSIONAL ENGINEER SEAL 042399' and 'BRADLEY J. BELL' around the perimeter. Below the seal, it says 'DocuSigned by: Bradley J. Bell' and '1/27/2017'.

Michael Baker International
 Michael Baker Engineering
 8000 Regency Parkway, Suite 600
 Cary, North Carolina 27518
 NC License No.: F-1084

STATE OF NORTH CAROLINA
 DEPARTMENT OF TRANSPORTATION
 RALEIGH
 SUBSTRUCTURE
 INTEGRAL END BENT 2
 LEFT LANES

REVISIONS						SHEET NO.
NO.	BY:	DATE:	NO.	BY:	DATE:	SI-33
1			3			TOTAL SHEETS
2			4			38