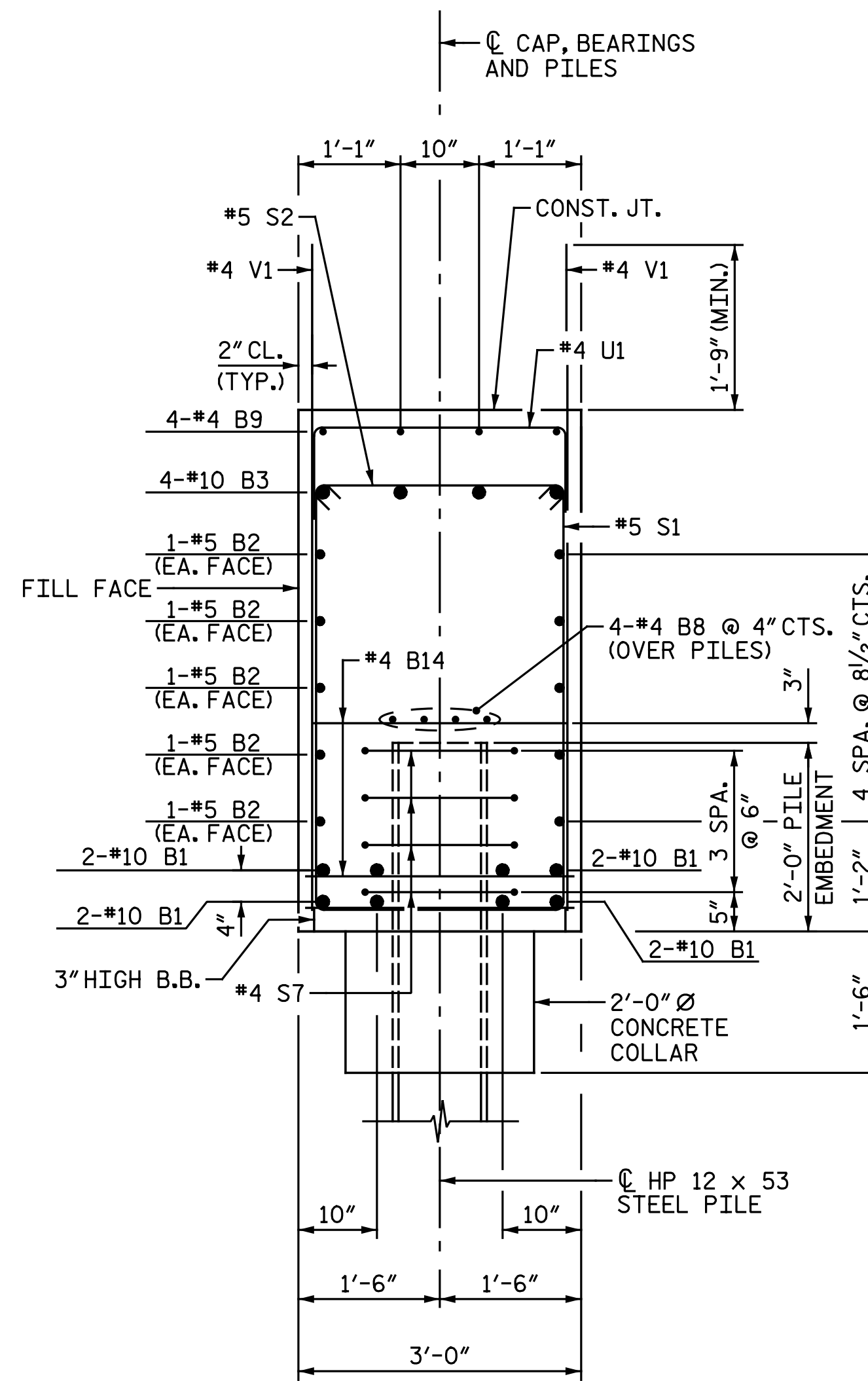
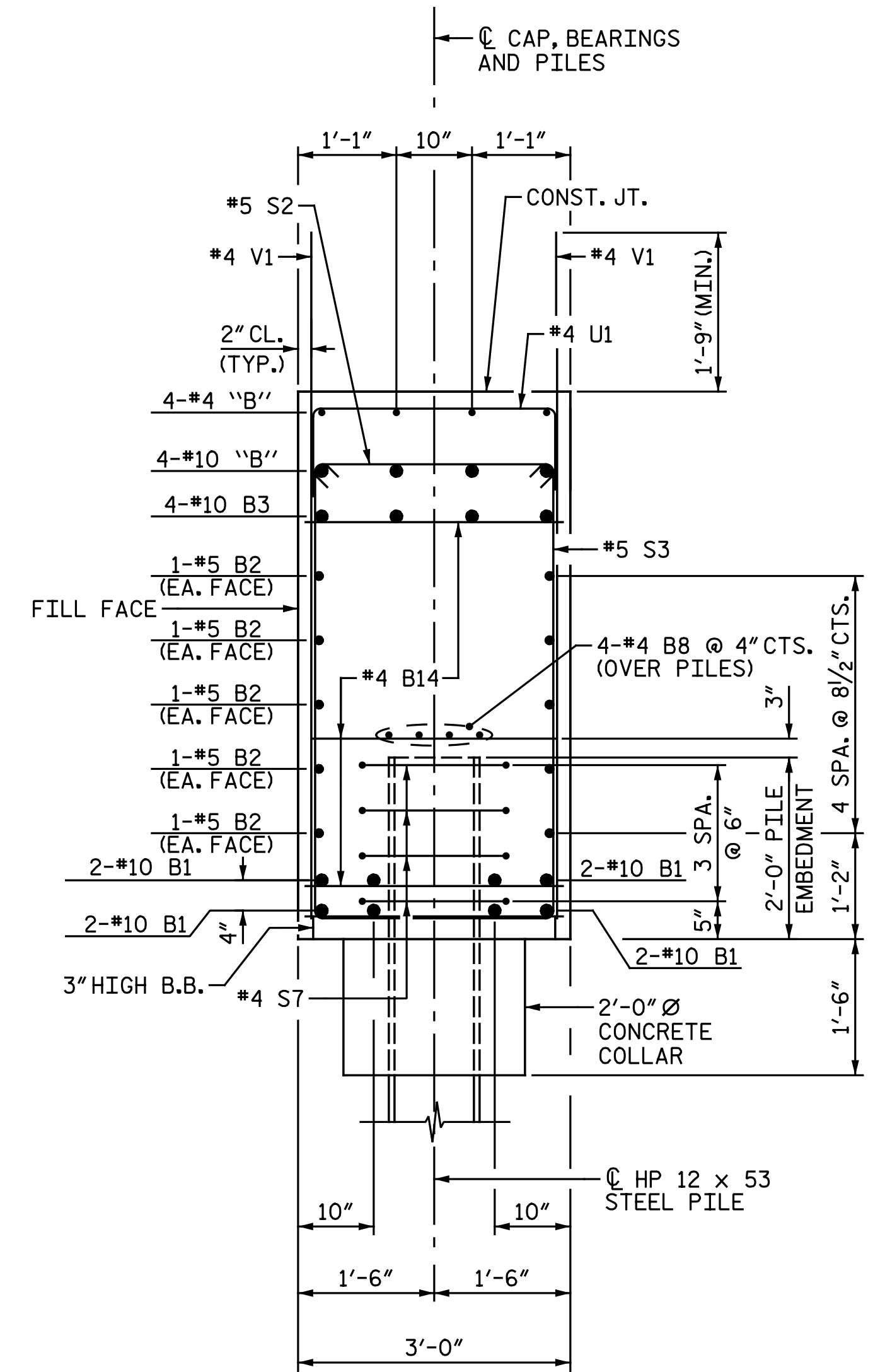


SECTION A-A



SECTION B-B



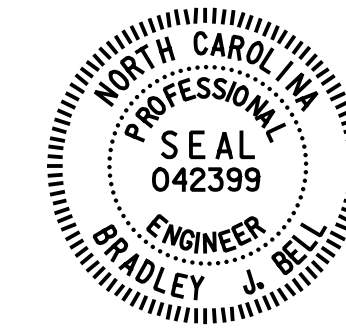
SECTION C-C

PROJECT NO. U-3330
NASH COUNTY
 STATION: 18+22.61 -Y1-

SHEET 1 OF 2

DRAWN BY : M. D. MAYHEW DATE : 8-9-16
 CHECKED BY : I. M. GARRISON DATE : 8-19-16

DOCUMENT NOT CONSIDERED FINAL UNLESS ALL SIGNATURES COMPLETED



DocuSigned by:
 Bradley J. Bell
 CA1A3F8EC3A3434
 1/27/2017

Michael Baker
 INTERNATIONAL

Michael Baker Engineering
 8000 Regency Parkway, Suite 600
 Cary, North Carolina 27518
 NC License No.: F-1084

STATE OF NORTH CAROLINA
 DEPARTMENT OF TRANSPORTATION
 RALEIGH
 SUBSTRUCTURE
 INTEGRAL END BENT 1
 DETAILS
 LEFT LANES

REVISIONS						SHEET NO.
NO.	BY:	DATE:	NO.	BY:	DATE:	SI-27
1			3			TOTAL SHEETS
2			4			38