

NOTES

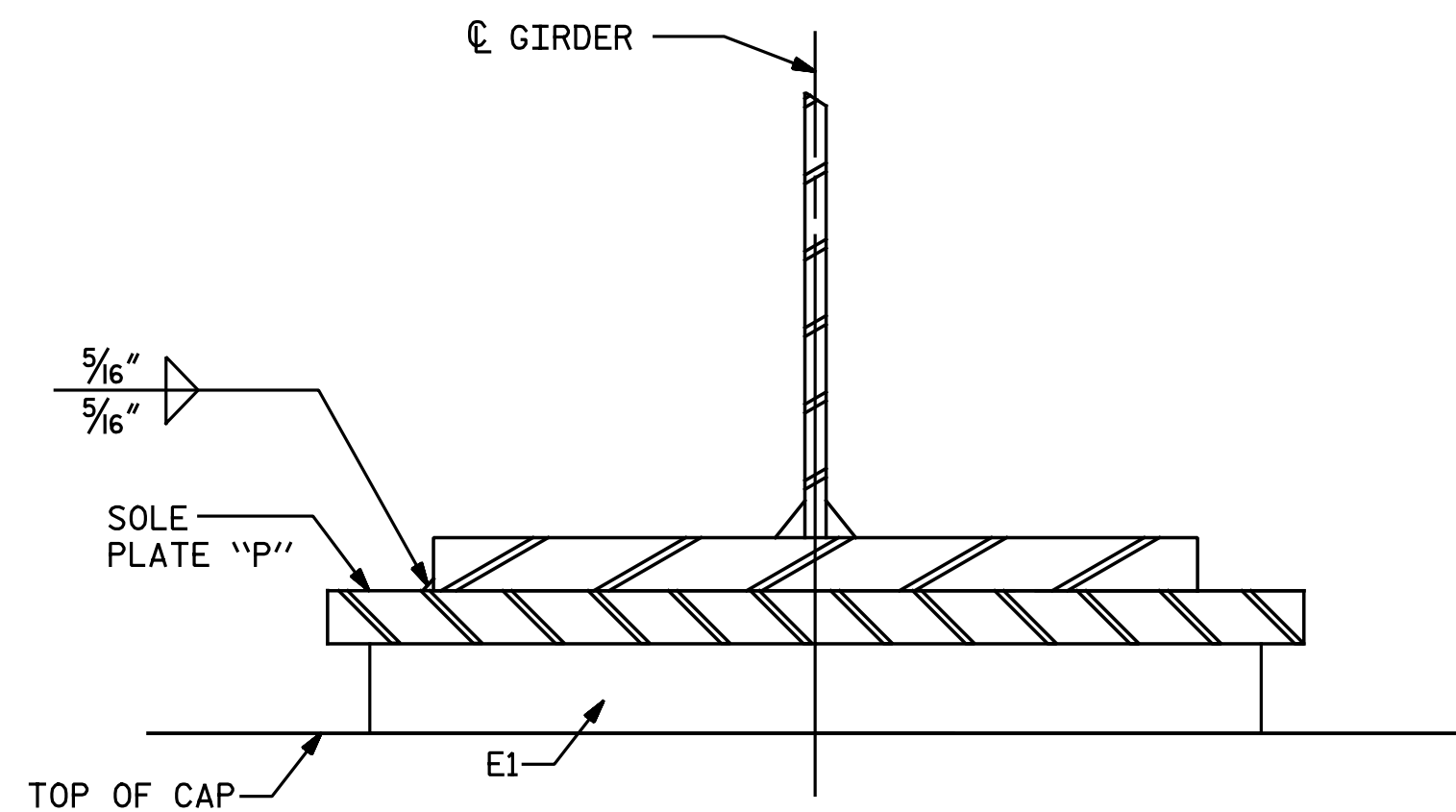
FOR AASHTO M270 GRADE 50W STRUCTURAL STEEL, SOLE PLATE SHALL BE AASHTO M270 GRADE 50W AND SHALL NOT BE GALVANIZED.

SOLE PLATES SHALL BE INCLUDED IN THE PAY ITEM FOR STRUCTURAL STEEL.

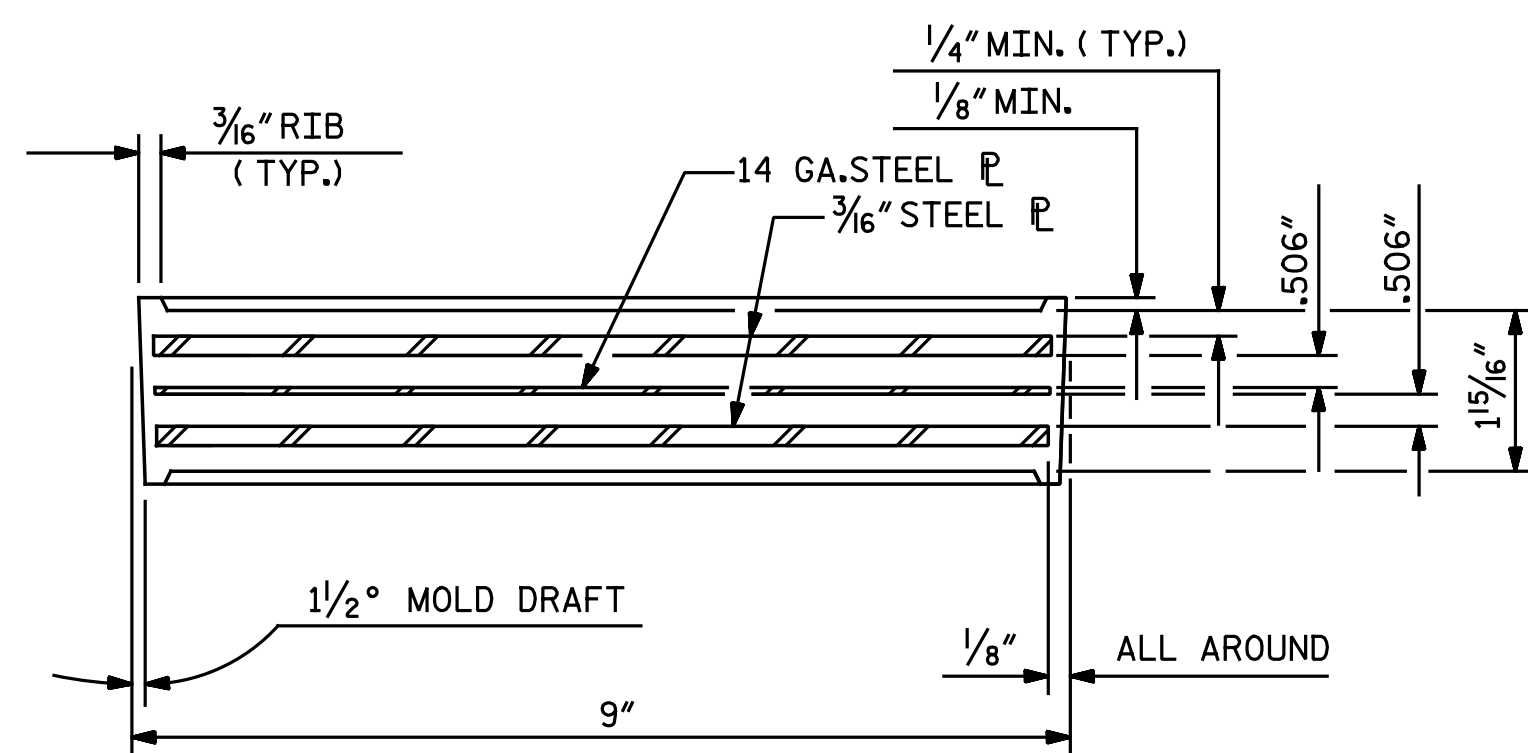
ALL SURFACES OF BEARING PLATES SHALL BE SMOOTH AND STRAIGHT.

THE ELASTOMER IN THE STEEL REINFORCED BEARINGS SHALL HAVE A SHEAR MODULUS OF 0.160 KSI, IN ACCORDANCE WITH AASHTO M251.

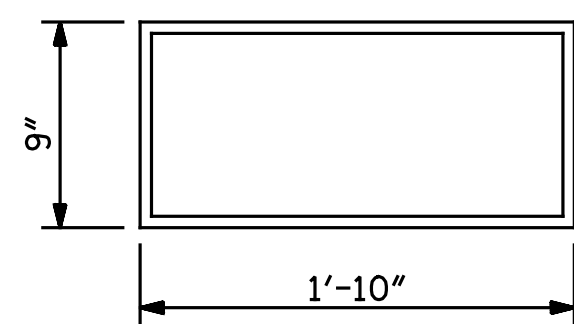
FOR STEEL REINFORCED ELASTOMERIC BEARINGS, SEE SPECIAL PROVISIONS.



END VIEW



TYPICAL SECTION OF ELASTOMERIC BEARINGS

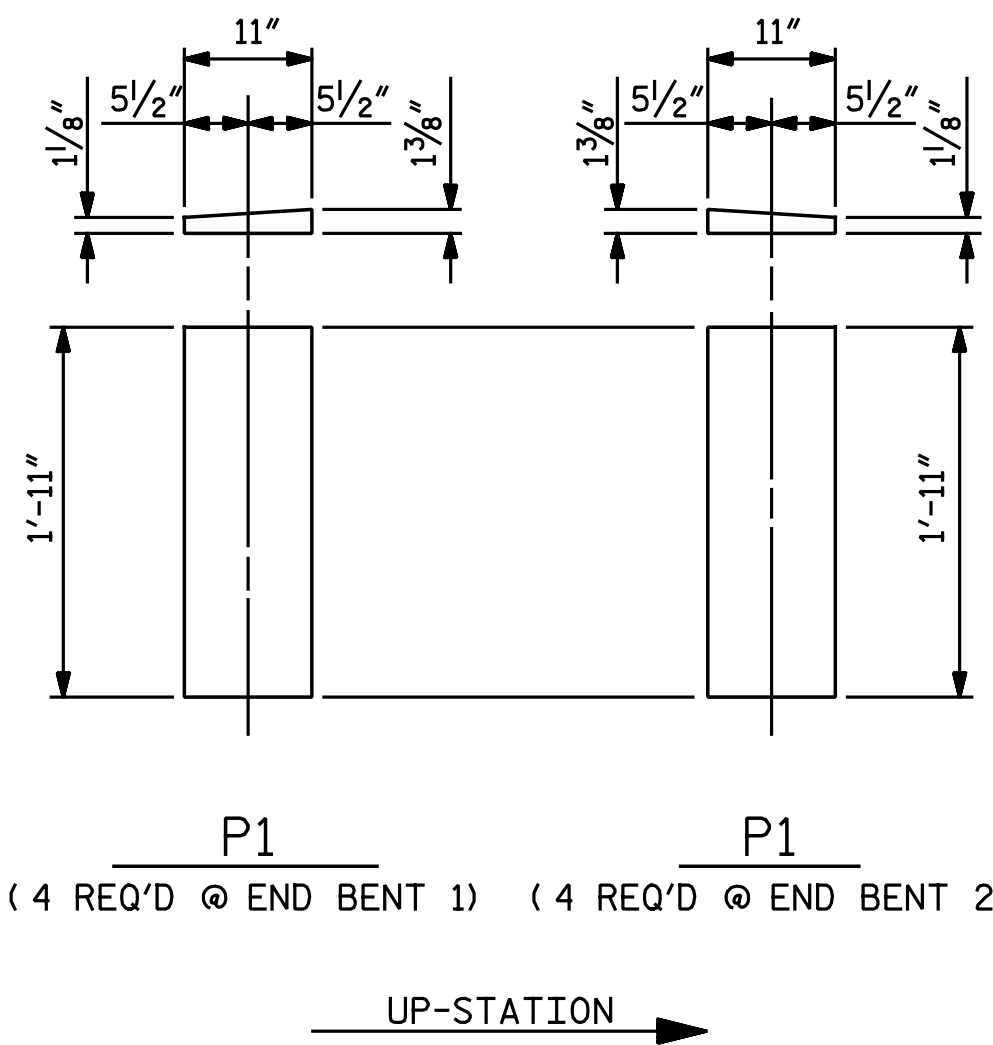


E1 (8 REQ'D)

PLAN VIEW OF ELASTOMERIC BEARING

TYPE IV

(NCDOT STANDARD BEARING FOR PRESTRESSED CONCRETE GIRDER SUPERSTRUCTURES)



SOLE PLATE DETAILS ("P")

MAXIMUM ALLOWABLE SERVICE LOADS	
D.L.+L.L. (NO IMPACT)	
TYPE IV	225 k

PROJECT NO. U-3330
NASH COUNTY
 STATION: 18+22.61 -Y1-

DRAWN BY : N. B. SPEAKS DATE : 8-26-16
 CHECKED BY : J. M. GARRISON DATE : 8-29-16

DOCUMENT NOT CONSIDERED FINAL UNLESS ALL SIGNATURES COMPLETED		STATE OF NORTH CAROLINA DEPARTMENT OF TRANSPORTATION RALEIGH SUPERSTRUCTURE ELASTOMERIC BEARING DETAILS LEFT LANES																			
	DocuSigned by: Bradley J. Bell CA1A3F8E3A3C434... 1/27/2017	REVISIONS																			
	Michael Baker INTERNATIONAL	Michael Baker Engineering 8000 Regency Parkway, Suite 600 Cary, North Carolina 27518 NC License No.: F-1084	<table border="1"> <tr> <th>NO.</th> <th>BY:</th> <th>DATE:</th> <th>NO.</th> <th>BY:</th> <th>DATE:</th> </tr> <tr> <td>1</td> <td></td> <td></td> <td>3</td> <td></td> <td></td> </tr> <tr> <td>2</td> <td></td> <td></td> <td>4</td> <td></td> <td></td> </tr> </table>	NO.	BY:	DATE:	NO.	BY:	DATE:	1			3			2			4		
NO.	BY:	DATE:	NO.	BY:	DATE:																
1			3																		
2			4																		